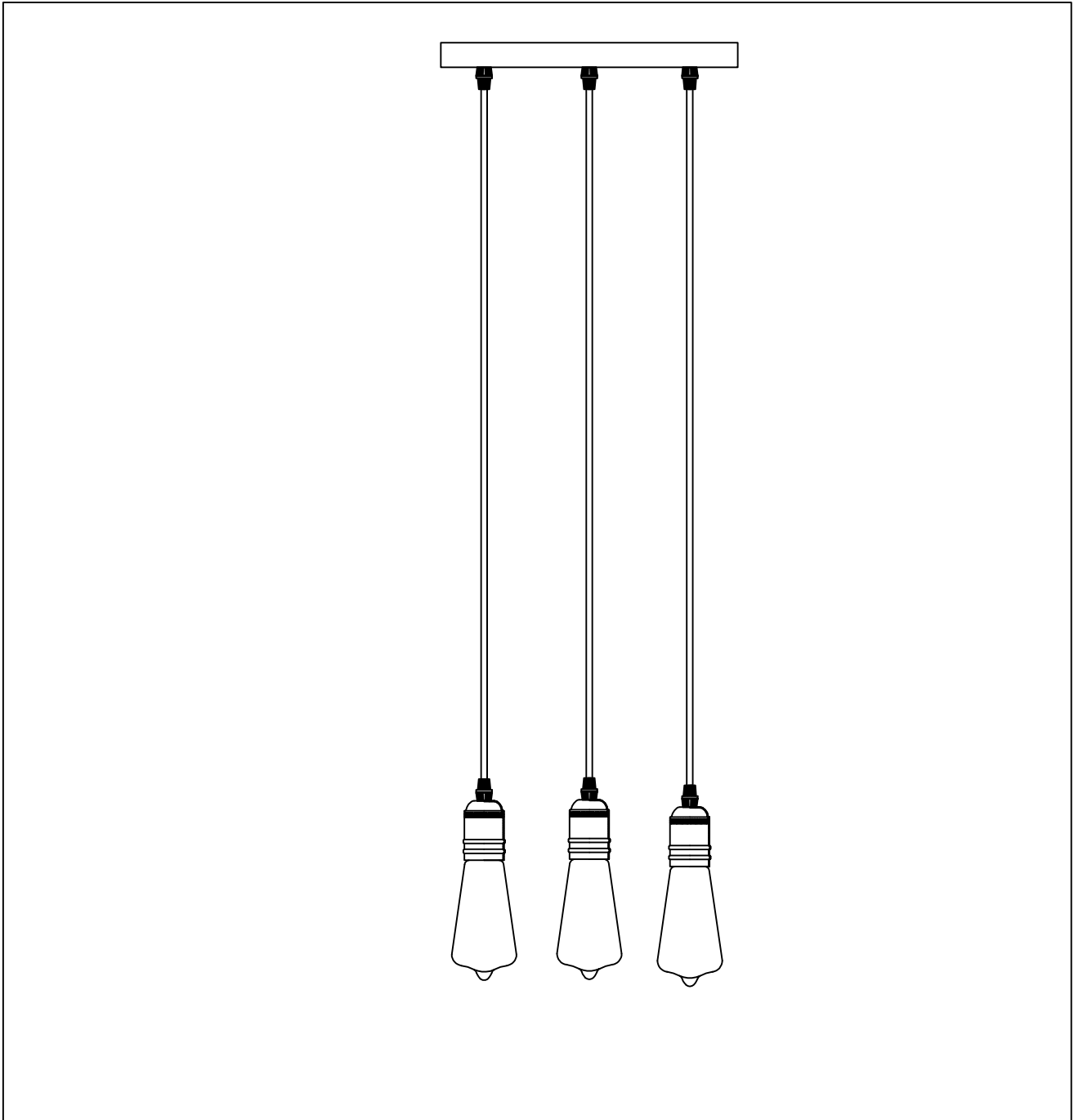




PRODUCT NAME: Early Electric 3LT Pendant
NUMBER: 12123

Please consult your electrician for Hang fixture and wiring.

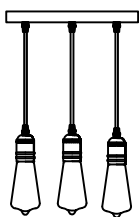


Bulb(Not included): 3*MB 60W

IMPORTANT: Turn off power at the main fuse or circuit breaker box before starting installation



(A) Bracket



(B) Body

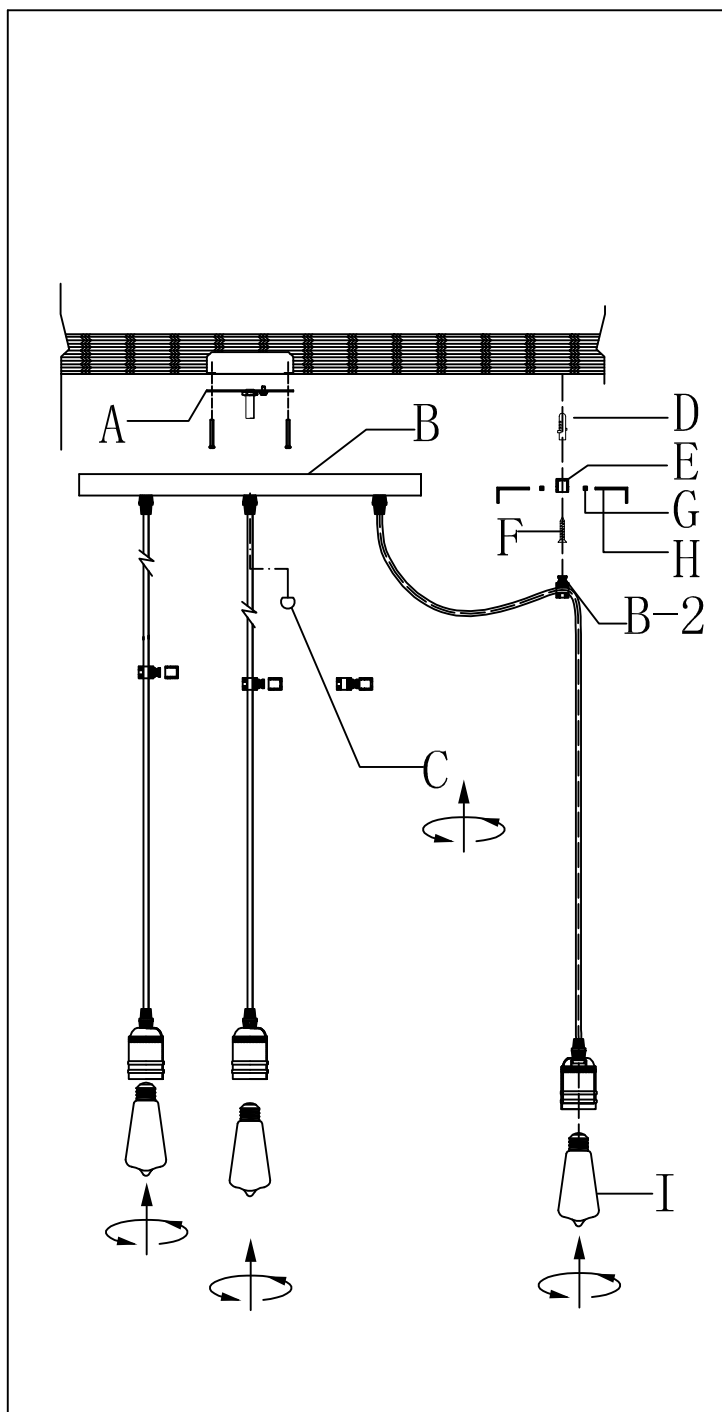


(C) Ball nut

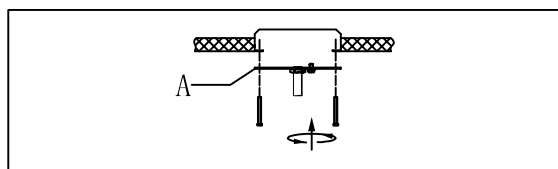


(D) Wall anchor

Locate all hardware & components before discarding packaging

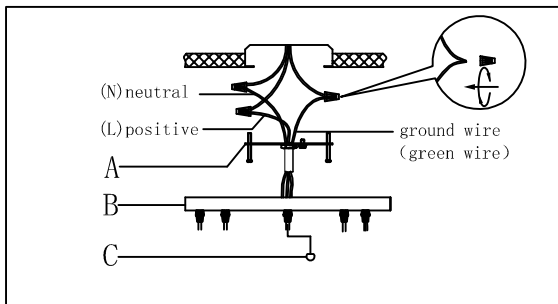


1.)



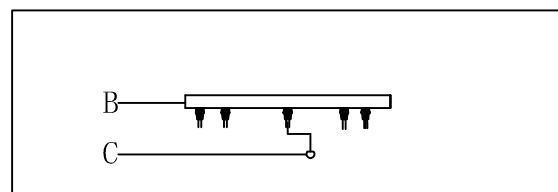
Step. 1: Remove mounting bracket (A) from fixture and install to electrical box.

2.)



Step. 2: Wire fixture to wires in outlet box. Copper/Green wire is for Ground.

3.)



Step. 3: Install fixture to bracket and tighten ball nuts (C) on the canopy to secure.

Cleaning & Care:

Clean with soft cloth and a mild detergent.
Do not use abrasive cleaner.

IMPORTANT: Turn off power at the main fuse or circuit breaker box before starting installation



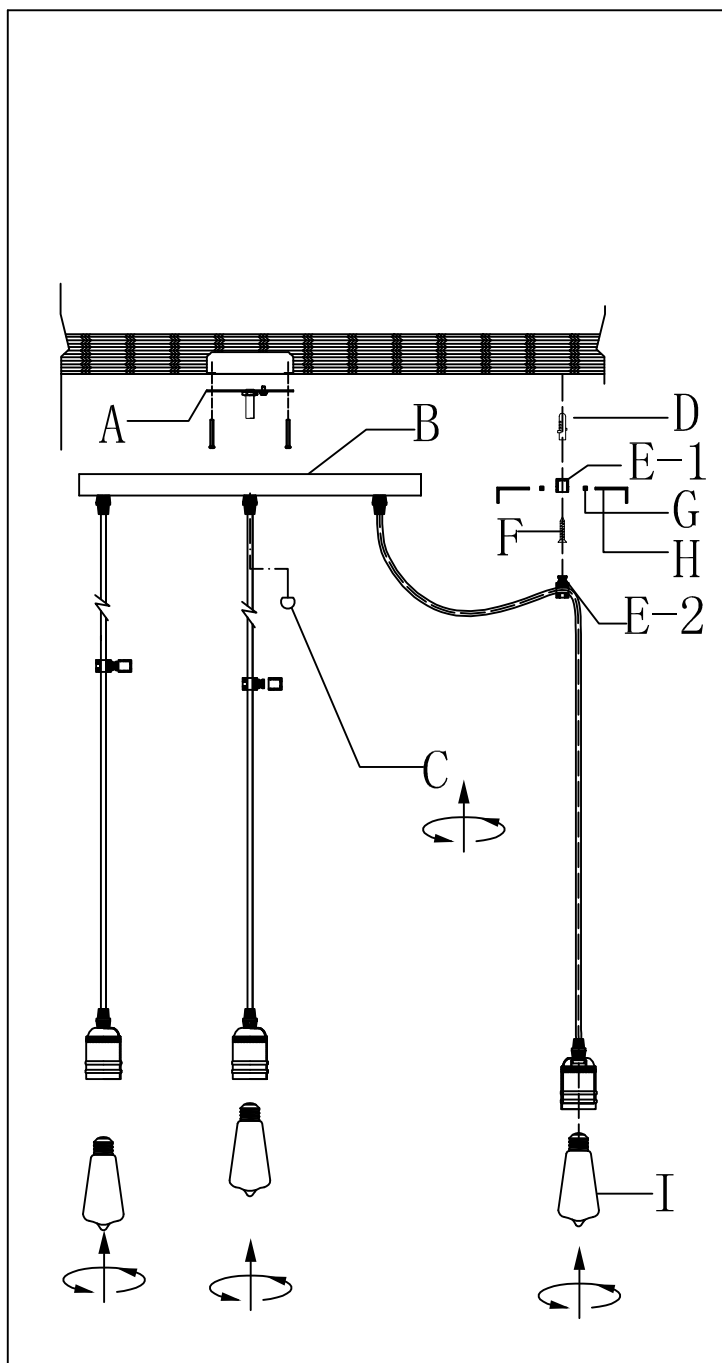
(E-1) Wire holder cap (F) Tapping screw

(G) Screw

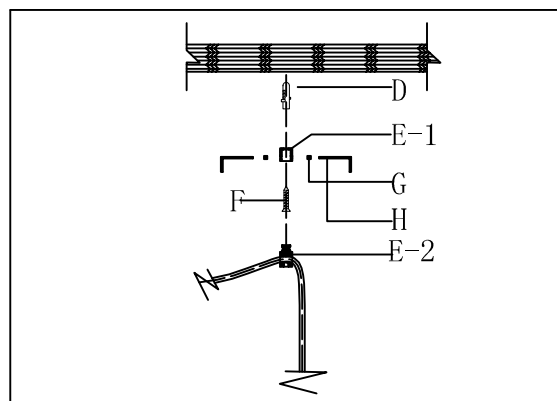
(H) Wrench

(I) Bulb

Locate all hardware & components before discarding packaging

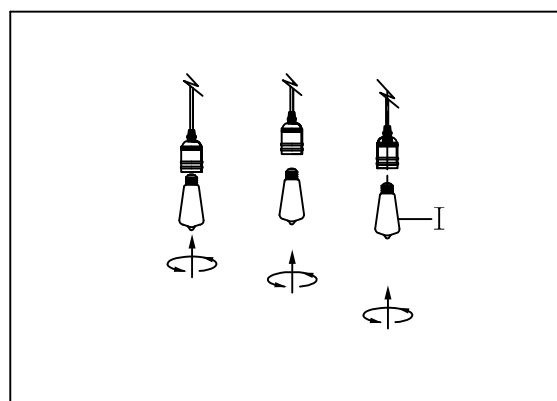


4.)



Step. 4: Install Wall anchor (D) into the ceiling, And use the tapping screw (F) to lock the wire holder cap (E-1). Then install wire holder (E-2) into cap, and use wrench (H) to tighten screw (G) to lock wire holder in the cap.

5.)



Step. 5: Install the bulb (I).

Cleaning & Care:

Clean with soft cloth and a mild detergent.
Do not use abrasive cleaner.