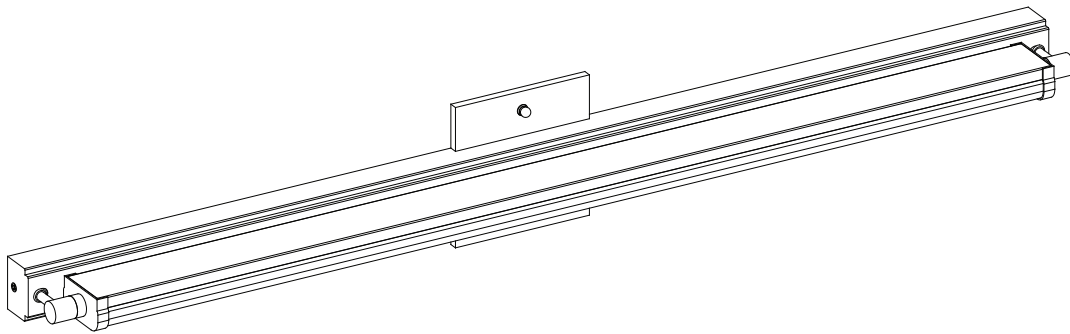




PRODUCT NAME: Director Wall Mount  
ITEM NUMBER: 53035

Please consult your electrician for hanging fixture and wiring.

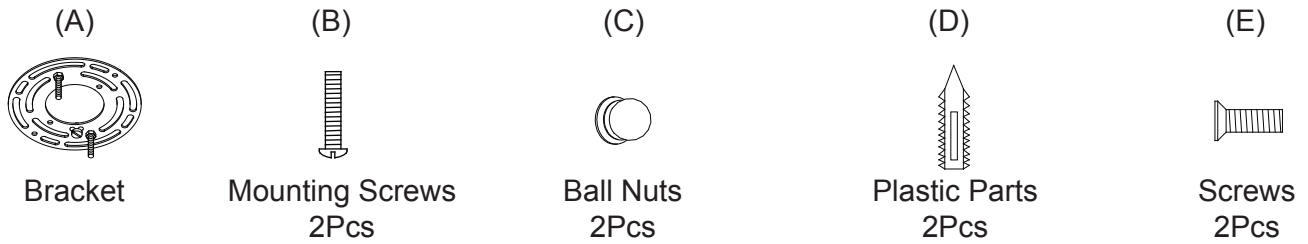


The fixture is designed to dim with a standard Triac forward phase dimmer. Dimming levels will vary by dimmer.  
Below is a List of Recommended dimmers:  
.Lutron MACL-153M  
.Lutron DVL-153P  
.Lutron SCL-153P  
.Leviton IPL06-10Z  
.Leviton 6674-POW  
Due to inrush current wattage should not exceed 150 watts of product for a 600 watt dimmer.

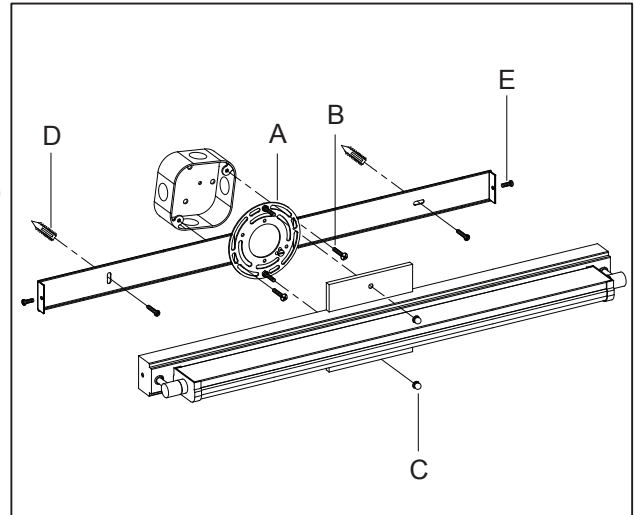
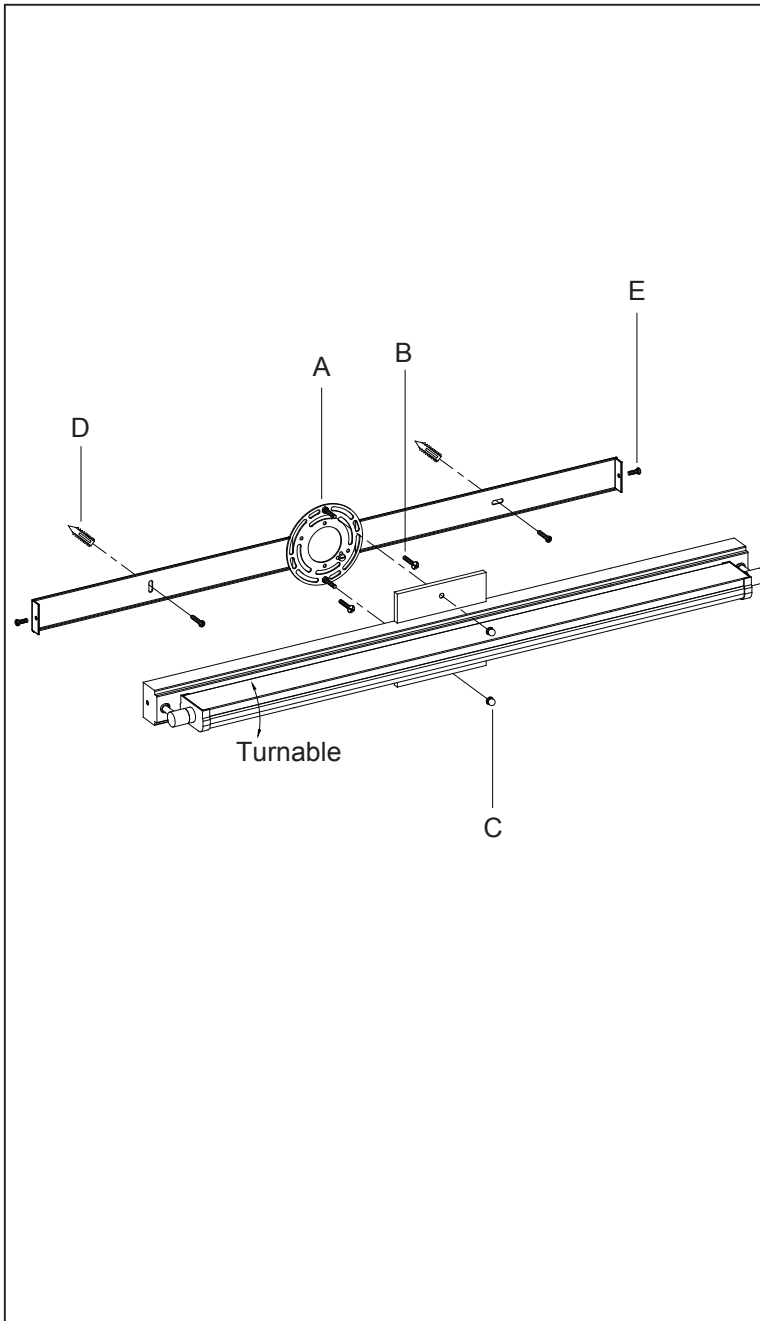
WARNING: Wires need to be connected to driver found in canopy and should not be connected directly to power source or a short may occur.

Bulb (included): 1xLED 45W

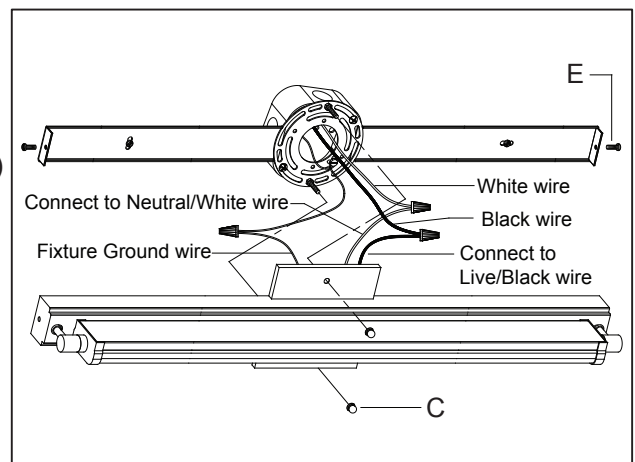
**IMPORTANT:** Turn off the power at the main fuse or circuit breaker box before starting installation



Locate all hardware & components before discarding packaging



Step1: Remove mounting bracket from fixture and install to electrical box.



Step2: Wire fixture to wires in outlet box. Copper wire is for Ground. Attach canopy to mounting bracket and tighten with ball nuts (C), Screws (E).

**Cleaning & Care:**  
Clean with soft cloth and a mild detergent.  
Do not use abrasive cleaner.