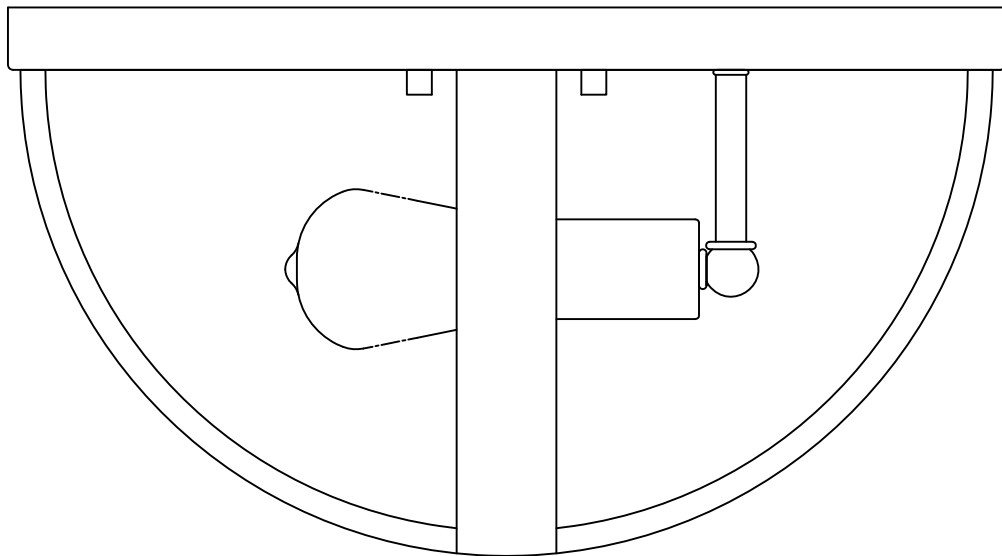




PRODUCT NAME: Compass 2-Light Flush Mount
ITEM NUMBER: 27570

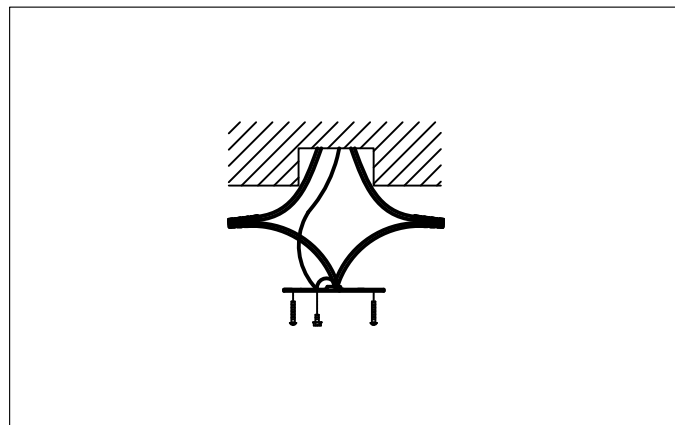
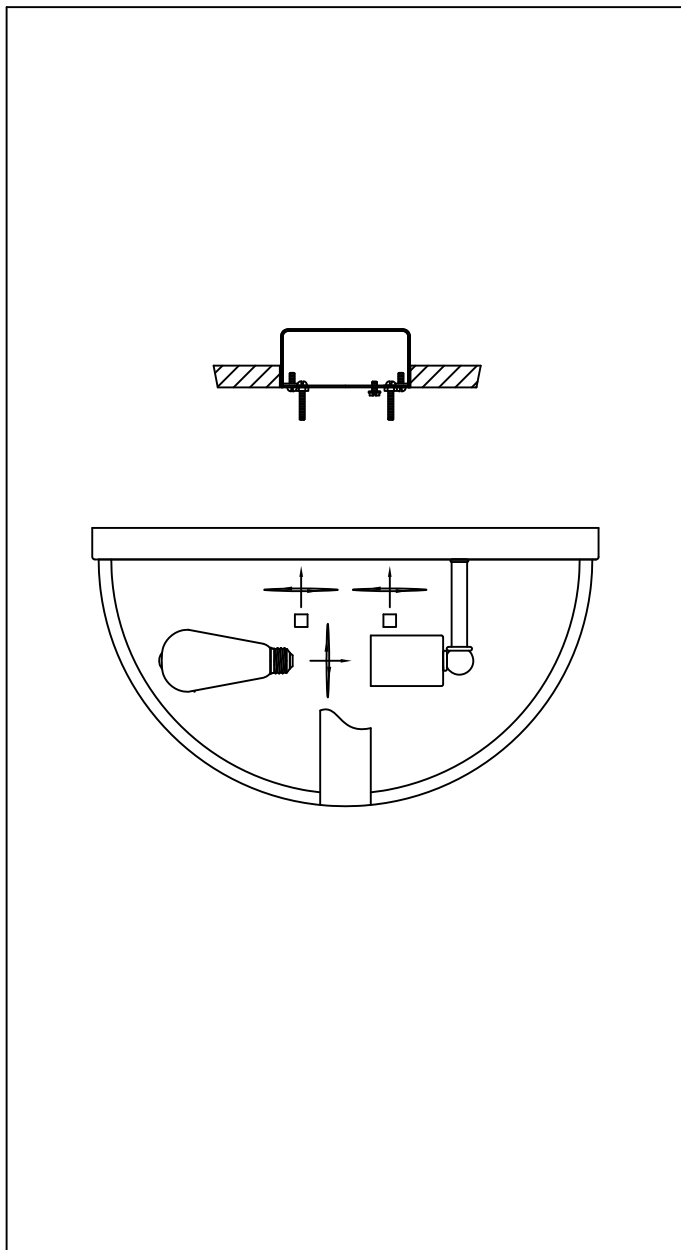
Please consult a qualified electrician for hanging fixture and wiring.



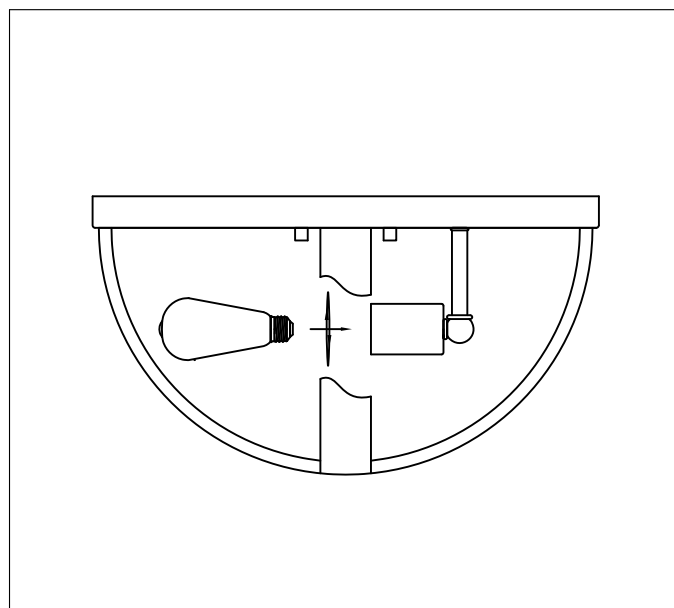
Bulb (not included): 2*60W E26 Bulbs

IMPORTANT: Turn off the power at the main fuse or circuit breaker box before starting installation

Locate all hardware & components before discarding packaging



1. Remove mounting bracket from fixture and install to electrical box.
2. Wire fixture to wires in outlet box. Copper wire is for Ground.



3. Install 2 max 60W E26 bulbs into socket.

Cleaning & Care:
Clean with soft cloth and a mild detergent.
Do not use abrasive cleaner