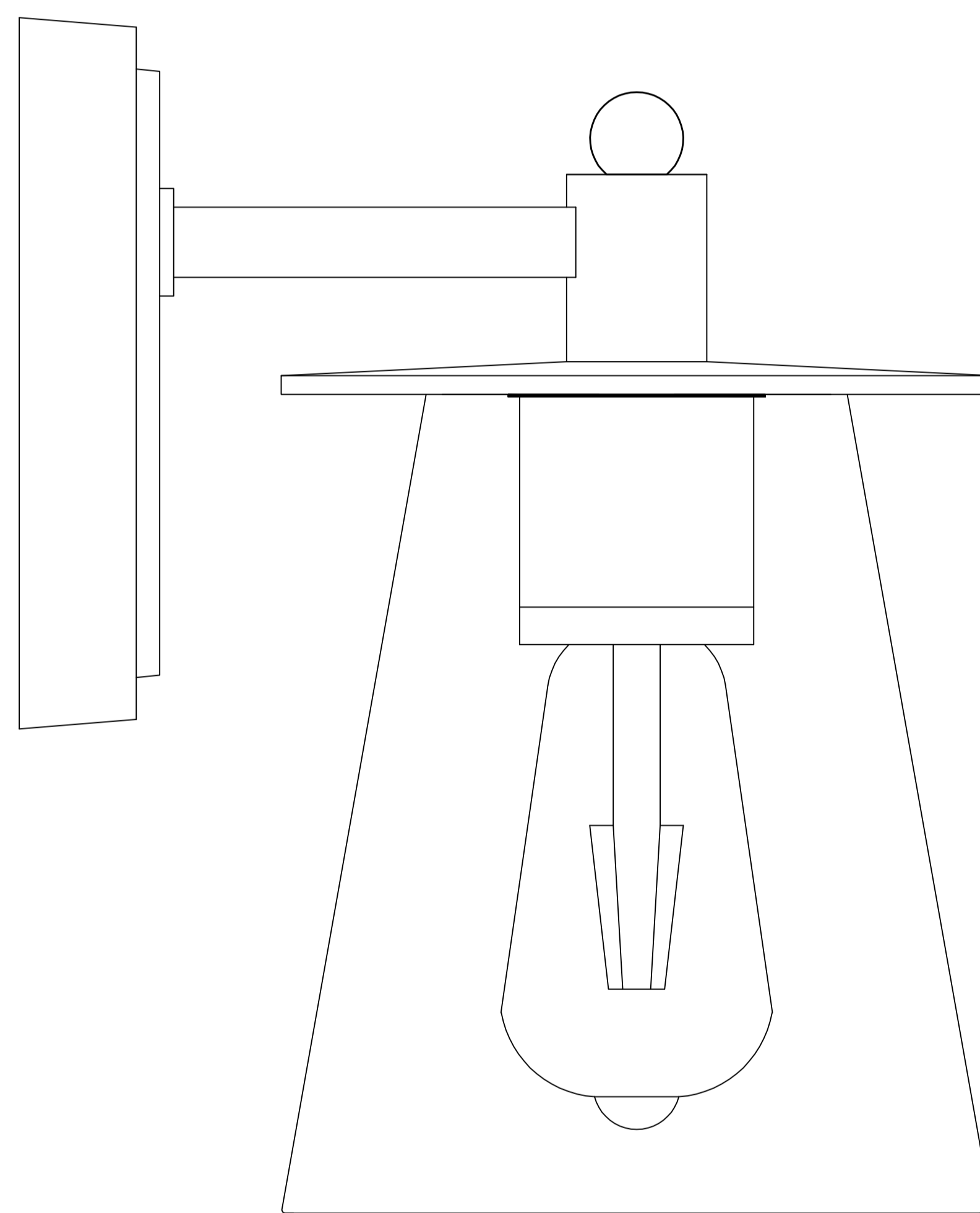




PRODUCT NAME: Chalet
ITEM NUMBER: 10312 / 10313

Please consult your electrician for hanging fixture and wiring.



To prevent water intrusion, caulk around back-plate where fixture meets the wall using outdoor silicone sealant. Leave a small gap at the bottom to allow moisture to exit.

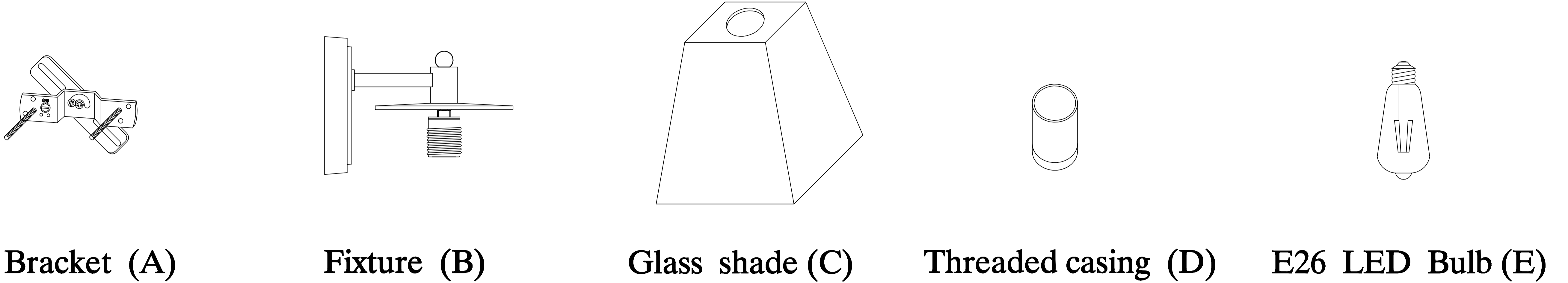
Bulb(included): 1×6W E26 LED

MADE IN CHINA

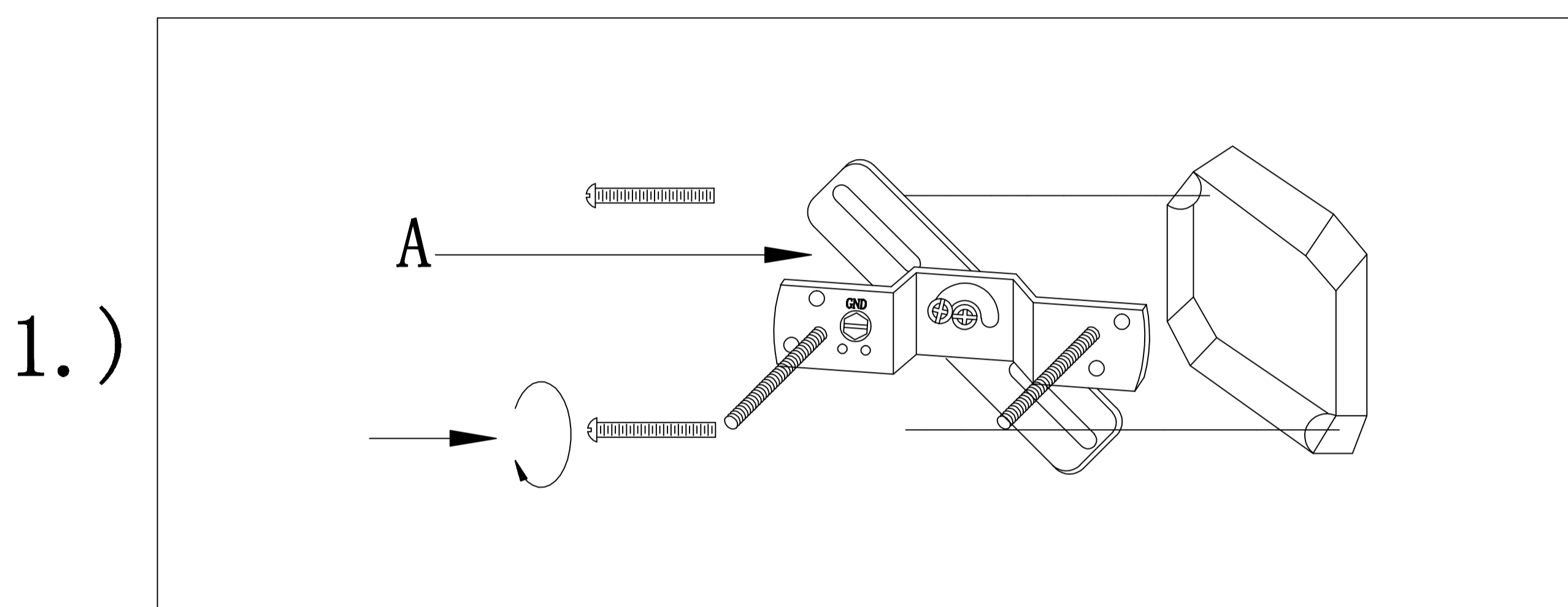


PRODUCT NAME: Chalet
 ITEM NUMBER: 10312 / 10313

IMPORTANT: Turn off the power at the main fuse or circuit breaker box before starting installation.

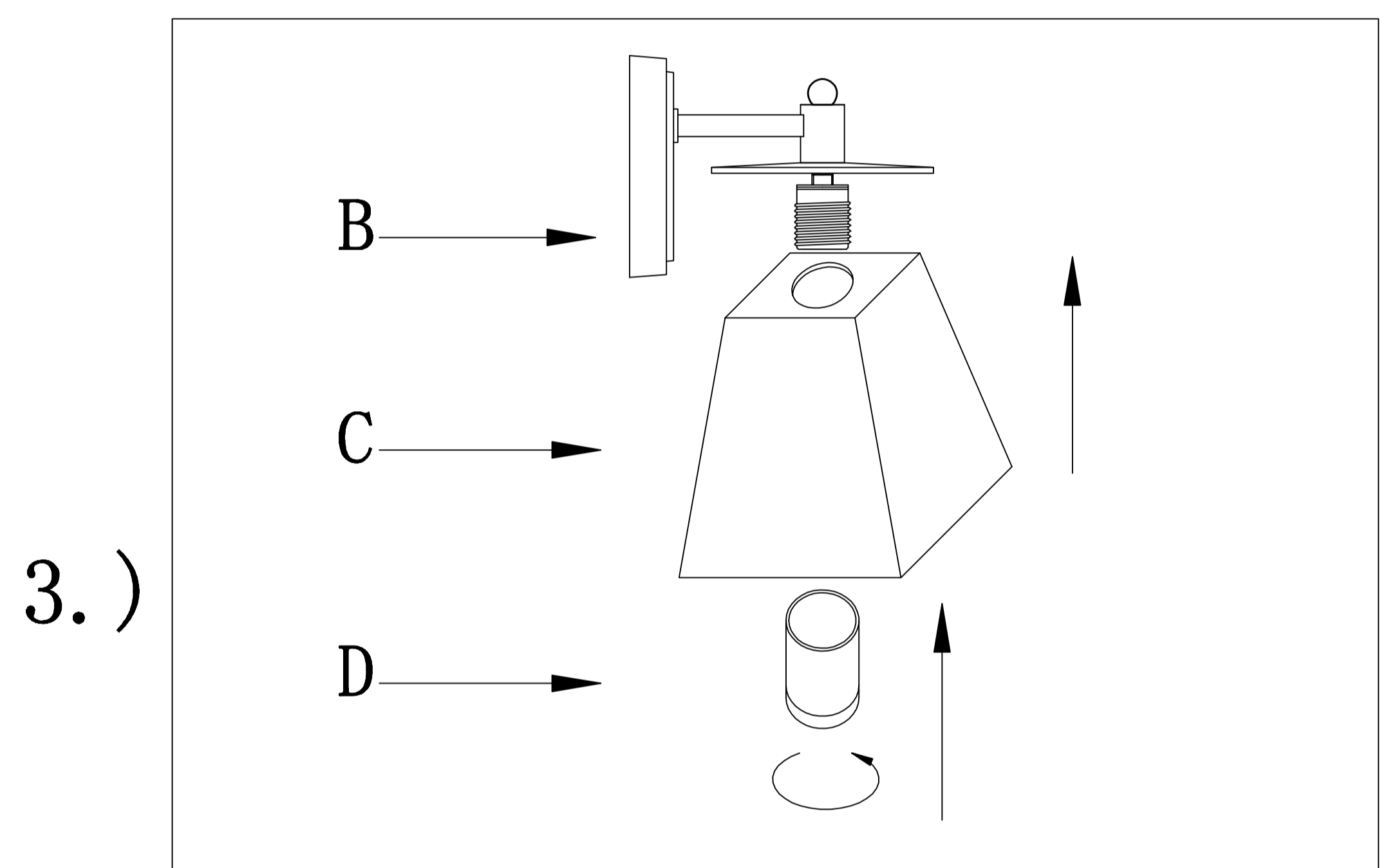


Locate all hardware & components before discarding packaging



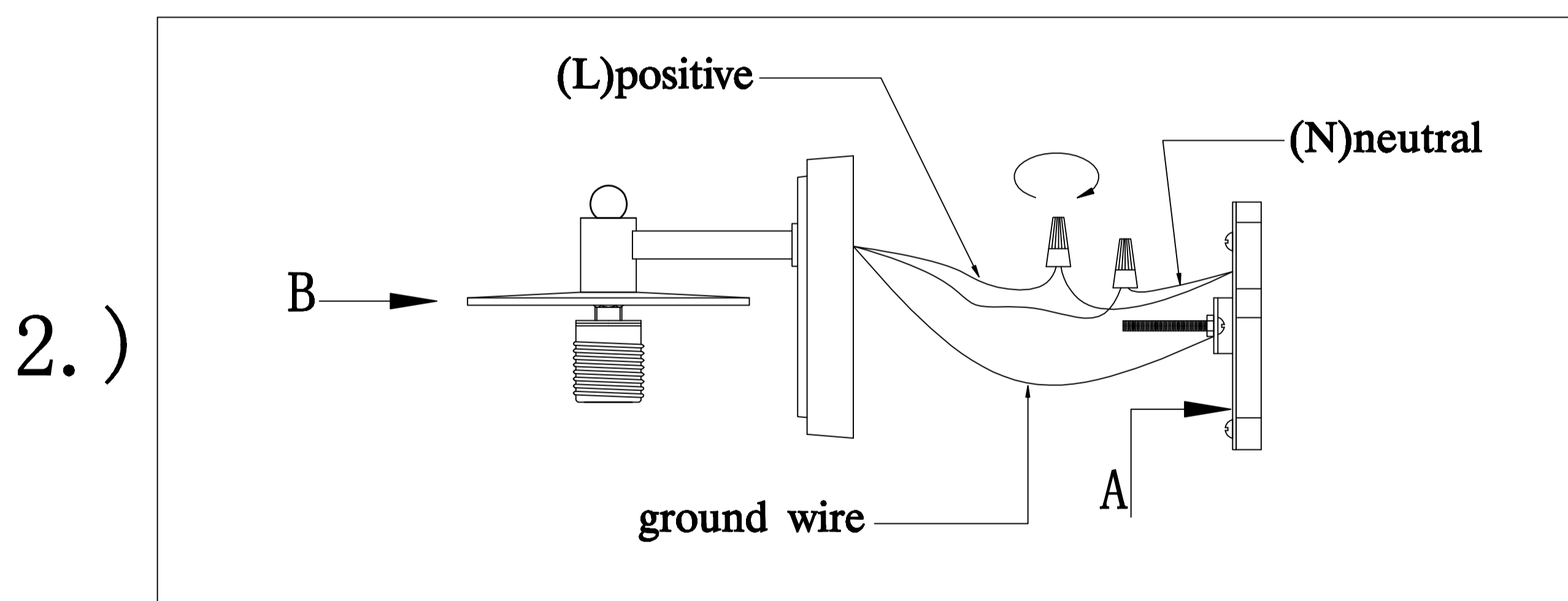
1.)

Step.1: Remove mounting bracket from fixture(B) and install to electrical box. then wire fixture to wires in outlet box. Copper wire is for Ground.



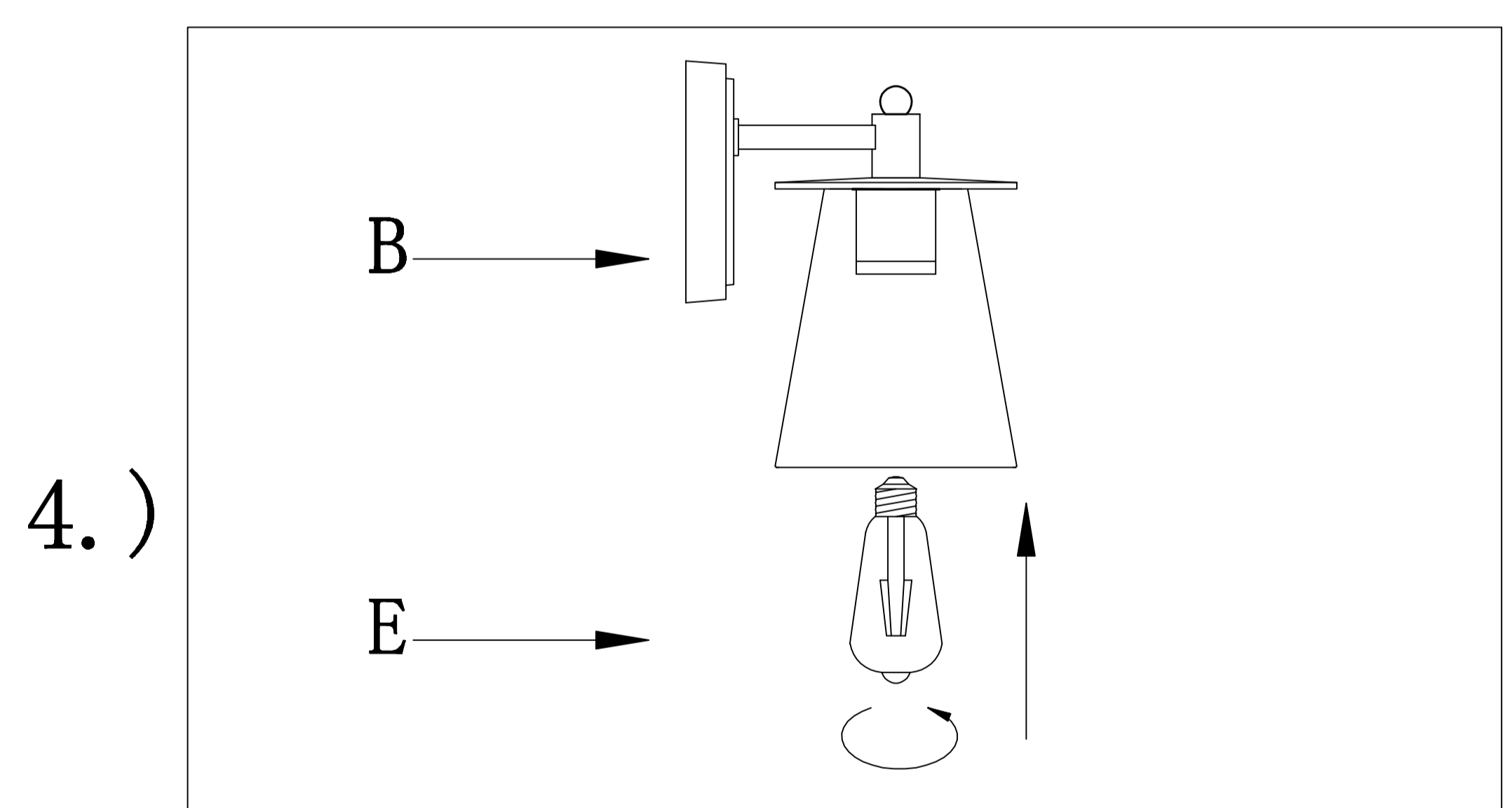
3.)

Step.3: Install the glass shade(C) into the fixture(B); Tighten the threaded casing(D).



2.)

Step.2: Attach back plate to mounting bracket and tighten ball nuts so fixture meets wall. Caulk fixture where back plate meets the wall with silicone sealant.



4.)

Step.4: Install E26 LED bulb(E)

Cleaning & Care:
 Clean with soft cloth and a mild detergent.
 Do not use abrasive cleaner.

MADE IN CHINA