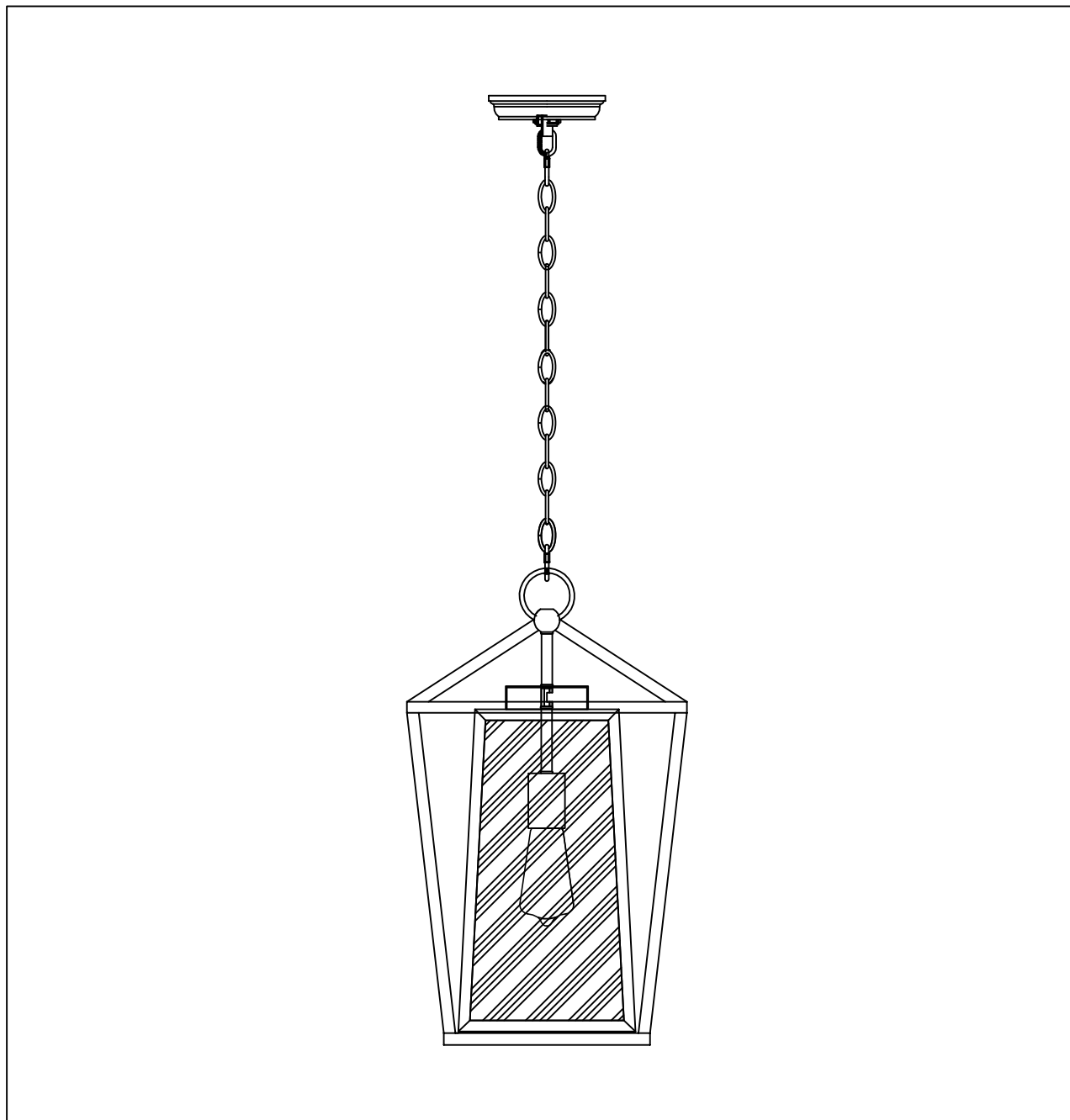




PRODUCT NAME: Artisan 1LT Outdoor Pendant
ITEM NUMBER: 3178CLBK

Please consult your electrician for Hang fixture and wiring.

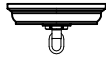


Bulb(not included):1*MB 60W

IMPORTANT: Turn off power at the main fuse or circuit breaker box before starting installation



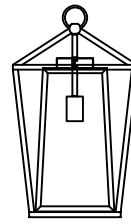
(A) Bracket



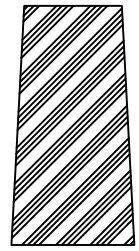
(B) Canopy



(C) Chain

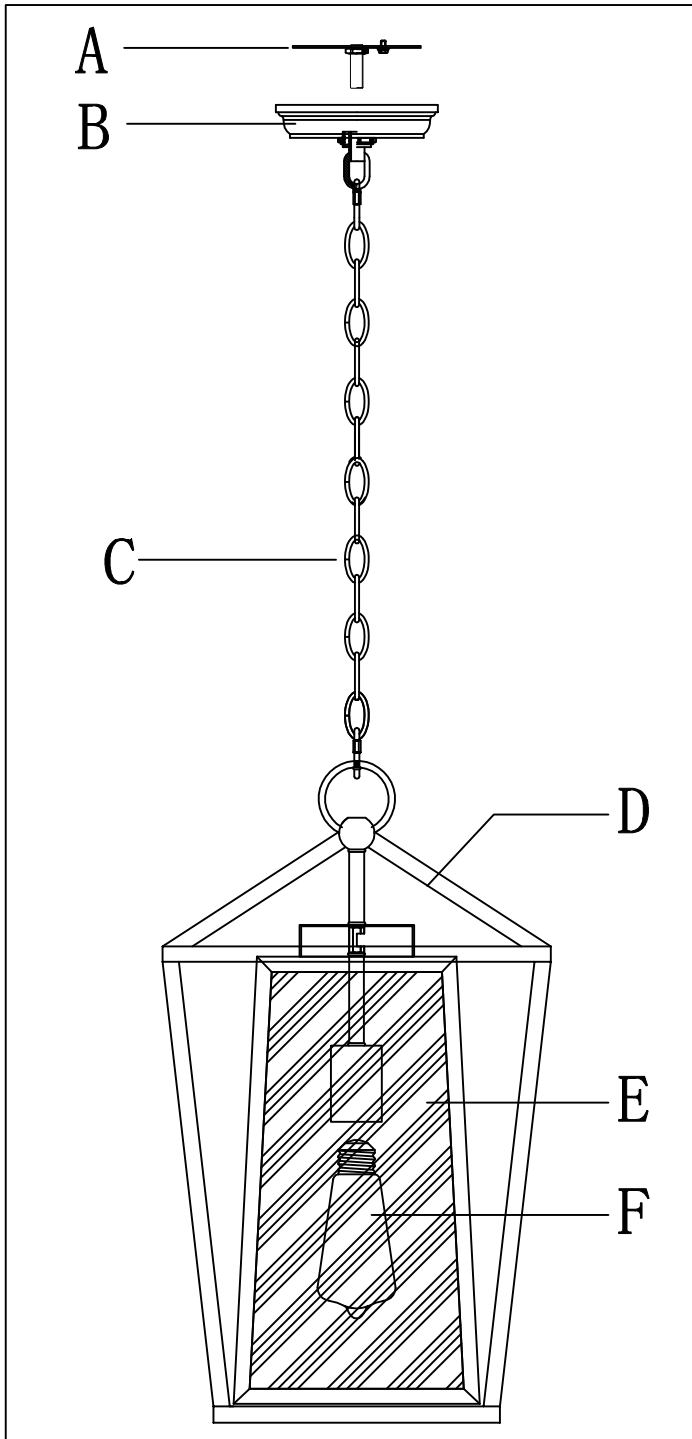


(D) Body



(E) glass

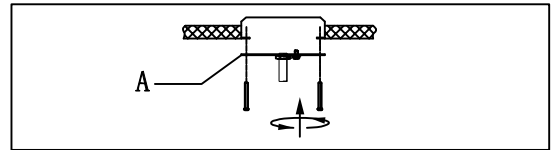
Locate all hardware & components before discarding packaging



Cleaning & Care:

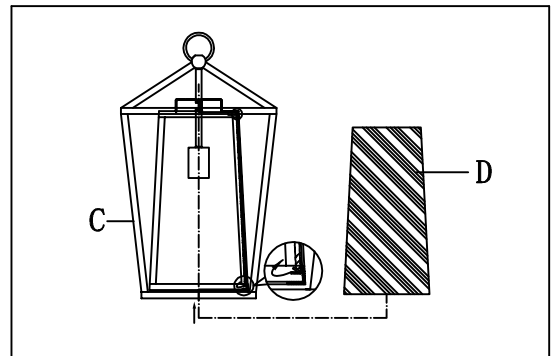
Clean with soft cloth and a mild detergent.
Do not use abrasive cleaner.

1.)



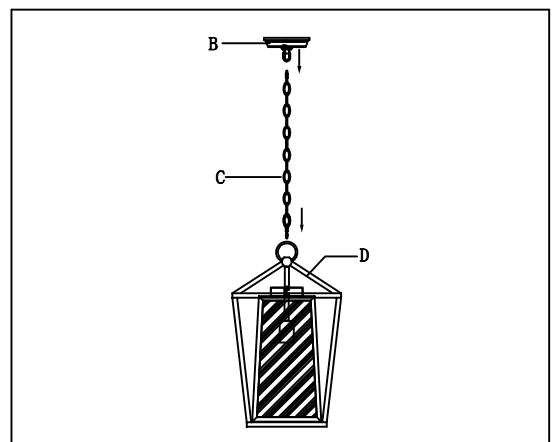
Step. 1: Remove mounting bracket (A) from fixture and install to electrical box.

2.)



Step. 2: Wearing glove, put glass (E) inside the frame and use steel clips on frame to secure the glass.

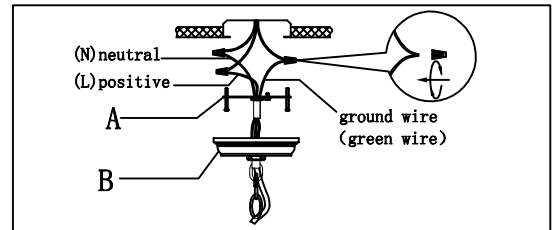
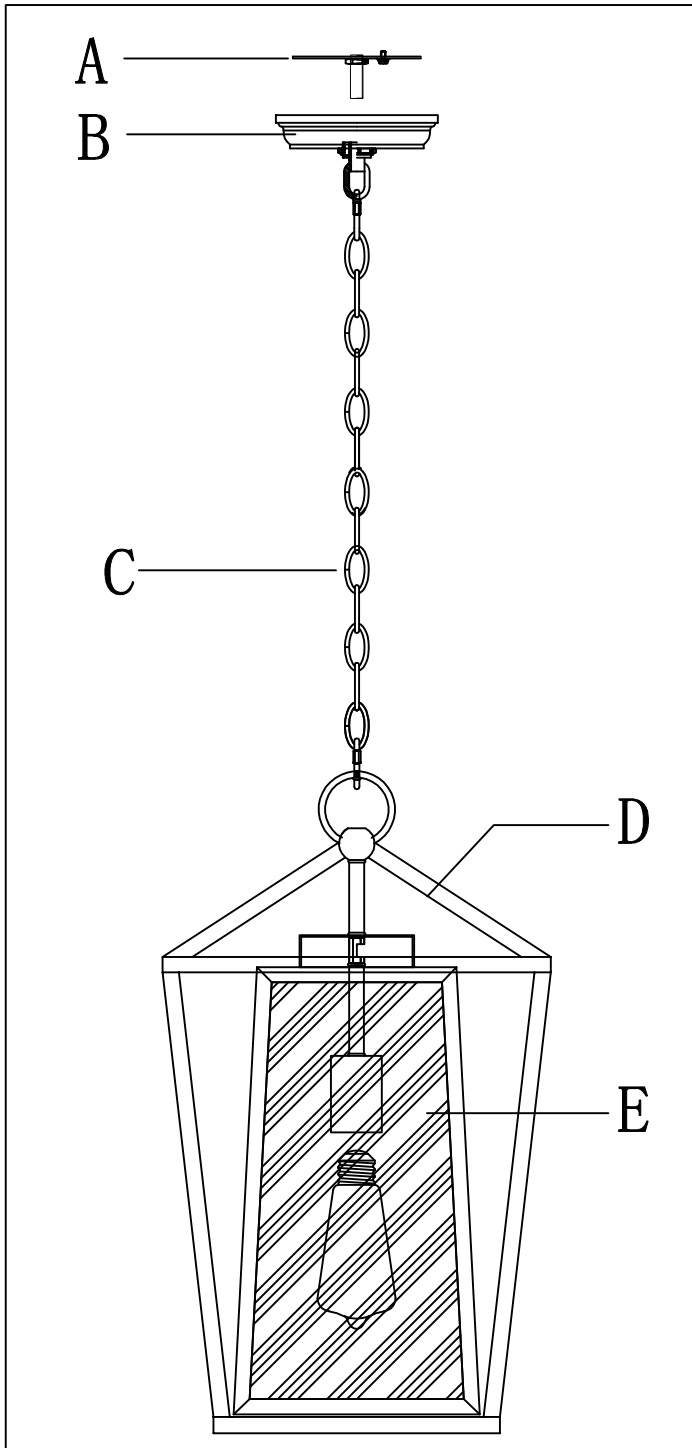
3.)



Step. 2: Attach appropriate amount of chain to loop to achieve desired mounting height. Thread Copper wire and SPT wire through every 3rd loop of chain.

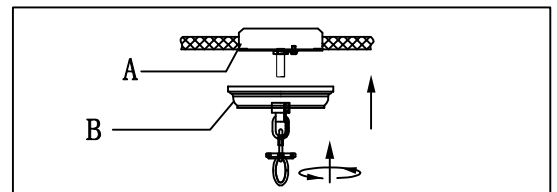
IMPORTANT: Turn off power at the main fuse or circuit breaker box before starting installation

Locate all hardware & components before discarding packaging



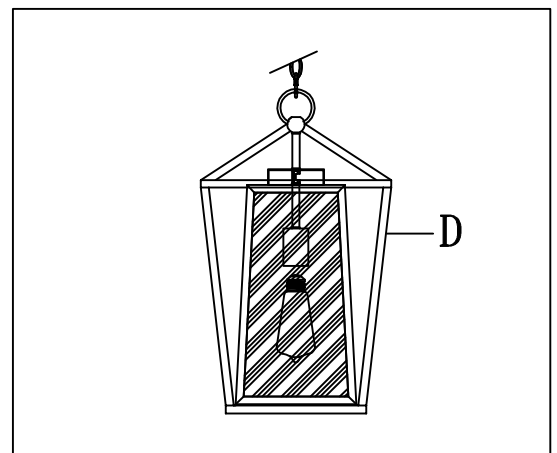
4.)

Step. 4: Wire fixture to wires in outlet box. remove ring from loop and slide down chain. Place canopy onto chain and let slide to top of fixture. install nipple and cross bar into top of chain loop. Wire fixture to wires in outlet box. Copper wire is for Ground.



5.)

Step. 5: Pull canopy through screw ring up chain to ceiling and tighten securely.



6.)

Step. 6: Install the bulb.

Cleaning & Care:

Clean with soft cloth and a mild detergent.
Do not use abrasive cleaner.