

shown in Brushed Nickel
with Light Maple blades



T-24

Designed in 2019



The T-24 is Matthews' reserved, yet contemporary, 52" three-blade ceiling fan. The efficient 4-speed AC motor and Title 24 qualified LED Light Kit are operated by wall control. The T-24 is offered in Brushed Nickel, Matte White, Matte Black and Textured Bronze with reversible solid wood blades available in Matte White/Brushed Nickel, Gray Ash/Walnut, Old Oak/Matte Black or Light Maple/Barn Wood finishes.

Product Features

TITLE 24
Title 24
Compliant



NEW

T-24

FINISH AND BLADE OPTIONS

SKU#	T24-XXX-XXX (Model+Finish+Blade)	
Standard Finishes	Brushed Nickel	BN
	Matte Black	BK
	Matte White	MWH
Blade Finishes (Reversible)	Textured Bronze	TB
	Matte White / Brushed Nickel	MWH / BN
	Gray Ash / Walnut	GA / WA
	Light Maple / Barn Wood	MA / BW
	Old Oak / Matte Black	OO / BK

TECHNICAL SPECS

Fan Diameter	52 inches / 132 cm
Blade Material	Plywood
Overall Drop	10 inches / 25 cm+ downrod length
Fan Weight	22 lbs
Voltage	110 or 220
Motor Type	AC
Downrod Diameter	1 inch
Environment	Damp locations for all finishes Neither coastal, saltwater nor chlorine compatible
Ambience	Silent
Safety Certification	UL / CUL
Warranty	Limited Lifetime

NEW JAN 21, 2020 DOE MOTOR EFFICIENCY DATA

RPM (Low / High)	68 / 169
CFM (Low / High)	1993 / 5185
Watts (High)	61.44
CFM/Watt (High)	93
Blade Pitch	14°

LIGHT KIT PHOTOMETRICS

Lamping (Replaceable)	Integrated LED
Remote Dimmable	Yes
Delivered Temperature in K	2899
Delivered Lumens	631.9
CRI	91.3
Watts	20
Hours	36,000
Light kit longevity if used 6 Hours/Day: 16.4 Years	

STANDARD EQUIPMENT

One downrod of 10 inches / 25 cm
Vaulted ceiling canopy for up to 29°

Decora-style, 4-speed, dimmable wall control



ACCESSORY

3-speed RF remote control in black



shown in Gloss White with Barn Wood blades

shown in Gloss White with Matte White blades

shown in Brushed Nickel with Light Maple blades

shown in Brushed Nickel with Gray Ash blades

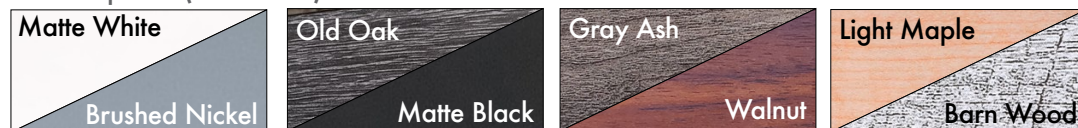
shown in Brushed Nickel with Matte White blades

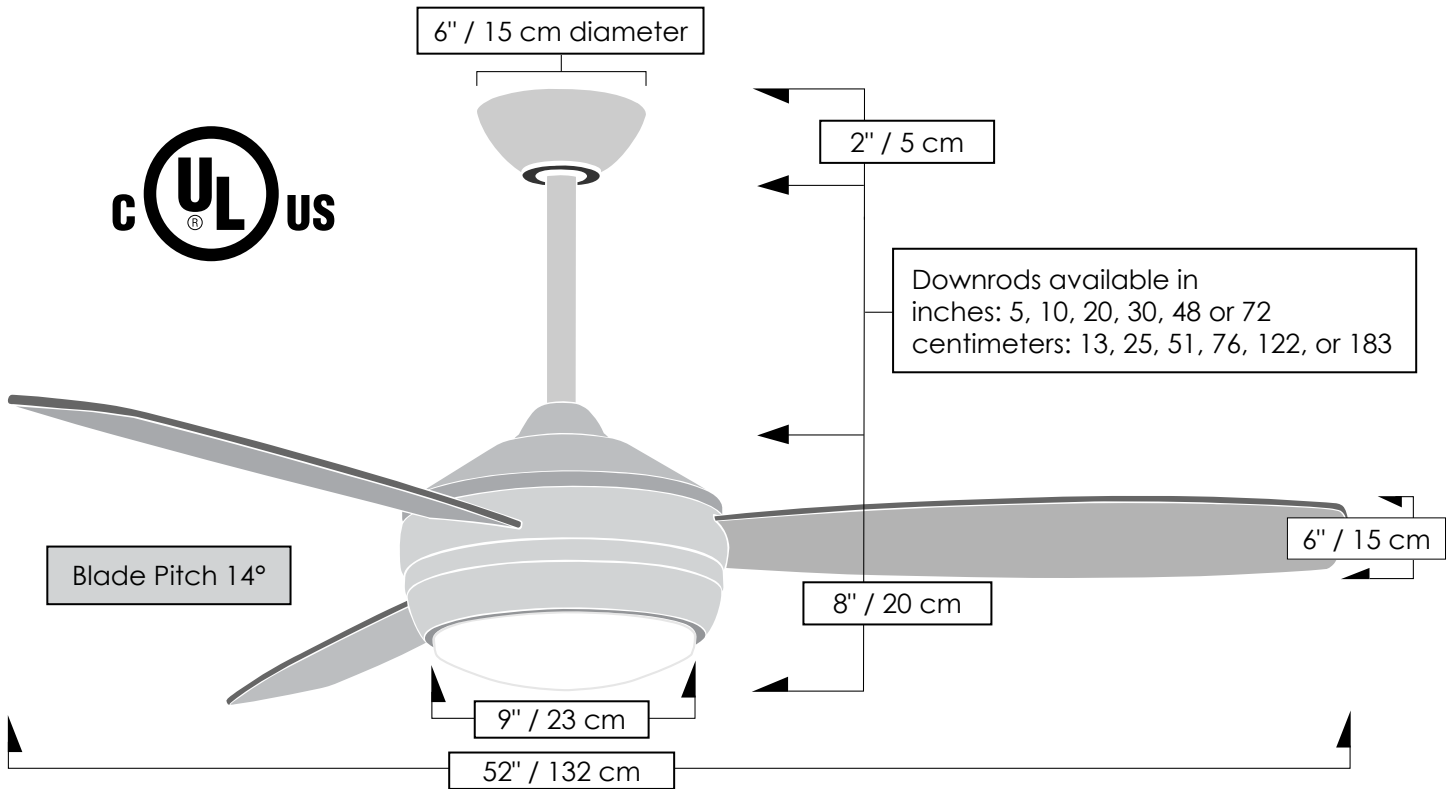
shown in Textured Bronze with Walnut blades

shown in Matte Black with Old Oak blades

shown in Matte Black with Matte Black blades

Blade Options (Reversible)





CEILING PITCH TABLE	
0/12	0 degrees
1/12	4.76 degrees
2/12	9.46 degrees
3/12	14.04 degrees
4/12	18.43 degrees
5/12	22.62 degrees
6/12	26.57 degrees
7/12	30.26 degrees
8/12	33.69 degrees
9/12	36.87 degrees
10/12	39.81 degrees
11/12	42.51 degrees

CEILING HEIGHT / DOWNROD TABLE	
Ceiling Height	Downrod Lengths <i>Field cuttable. Non-threaded</i>
10 ft or less	5 inches / 13 cm <i>Use safety cages if applicable</i>
10 - 12 feet	10 inches / 25 cm
13 feet	20 inches / 51 cm
14 feet	30 inches / 76 cm
15 feet	48 inches / 122 cm
16 feet +	72 inches / 183 cm

Matthews Fan Company

1881 Industrial Drive
 Libertyville, IL 60048
 Tele: 847.680.9043
 Fax: 847.680.8140
 www.matthewsfanco.com

© 2021 Matthews Fan Company. All rights reserved.

