

shown in Matte Black  
with 52" Barn Wood blades



# Mollywood

*Designed in 2018*

Designed by Chicago architect Stephen Katz in 2018, the Mollywood ceiling fan combines modern organic geometry with outstanding performance and function. The blade shape was developed using advanced computer software which allowed the design to achieve a complex form. The result is a clean, natural and contemporary look perfect for any room or décor. Available in matte black, matte white, or textured bronze finishes with either barn wood, matte black, matte white or walnut tone solid wood blade options. Mollywood will complement a variety of design styles while also providing a fresh and unique, modern statement. Constructed of cast aluminum and heavy stamped steel, Mollywood carries a limited lifetime warranty.

## Product Features



DC  
Motor



Damp  
Location



Silent



Remote  
Control



Wall  
Control

**NEW**



shown in Matte Black with 52" Matte Black blades



shown in Matte White with 42" Matte White blades



shown in Textured Bronze with 60" Walnut blades



shown in Textured Bronze with 52" Barn Wood blades



shown in Matte Black with 52" Barn Wood blades

# MOLLYWOOD

## FINISH AND BLADE OPTIONS

SKU#	MW-XXX-XXX-XX (Model+Finish+Blade+Diameter)	
Standard Finishes	Matte Black Matte White Textured Bronze	<b>BK</b> <b>MWH</b> <b>TB</b>
Blade Finish	Barn Wood Matte Black Matte White Walnut	<b>BW</b> <b>BK</b> <b>MWH</b> <b>WA</b>
Fan Diameter	42 inches / 107 cm 52 inches / 132 cm 60 inches / 152 cm	<b>42</b> <b>52</b> <b>60</b>

## TECHNICAL SPECS

Fan Diameter	inches: 42, 52 or 60 centimeters: 107, 132 or 152
Blade Material	CNC Cut Solid Wood
Overall Drop	12 inches / 30 cm + downrod length
Fan Weight	18 lbs
Downrods Lengths <i>Field cuttable. Non-threaded</i>	inches: 5, 10, 20, 30, 48, 72 centimeters: 13, 25, 51, 76, 122, 183
Downrod Diameter	1 inch
Voltage	110 (Contact us for 220 conversion)
Motor Type	DC
Environment	Damp locations for all finishes Neither coastal, saltwater nor chlorine compatible
Ambience	Silent
Safety Certification	ETL / CETL
Warranty	Limited Lifetime

## NEW JAN 21, 2020 DOE MOTOR EFFICIENCY DATA

Fan Diameter	42 inch / 107 cm	52 inch / 132 cm	60 inch / 152 cm
RPM (Low/High)	51 / 186	51 / 129	52 / 103
CFM (Low/High)	524 / 2655	997 / 2437	658 / 2914
Watts (High)	31.68	31.60	34.35
CFM/Watt (High)	84	88	83
Blade Pitch	45°	45°	45°

## STANDARD EQUIPMENT

One downrod of 10 inches / 25 cm

Vaulted ceiling canopy for up to 30°

Black 6-speed RF remote control with reverse



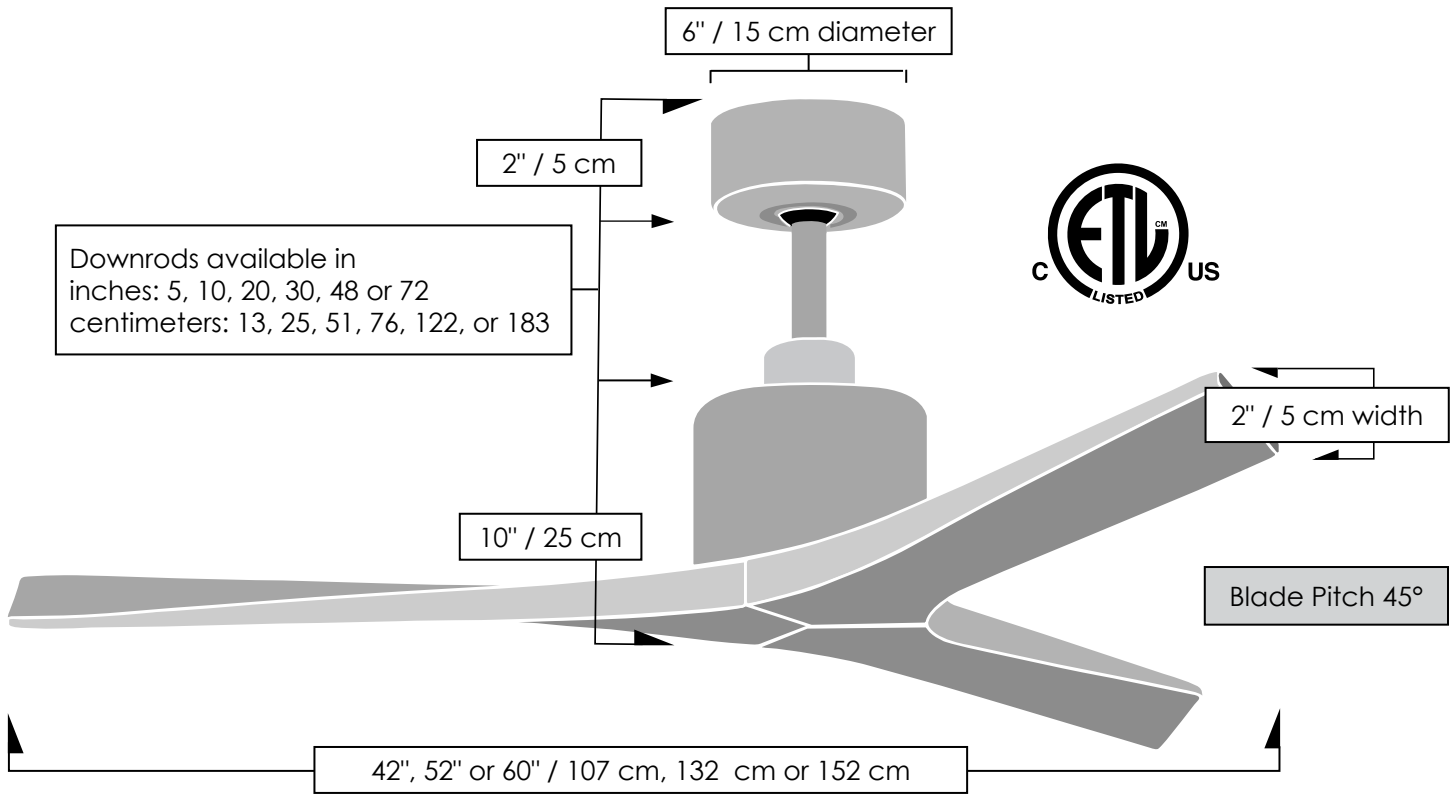
White wireless Decora-style, 6-speed, wall control



NOTE: Only compatible with included controllers.

## Blade Options





### CEILING PITCH TABLE

0/12	0 degrees
1/12	4.76 degrees
2/12	9.46 degrees
3/12	14.04 degrees
4/12	18.43 degrees
5/12	22.62 degrees
6/12	26.57 degrees
7/12	30.26 degrees
8/12	33.69 degrees
9/12	36.87 degrees
10/12	39.81 degrees
11/12	42.51 degrees

### CEILING HEIGHT / DOWNROD TABLE

Ceiling Height	Downrod Lengths <i>Field cuttable. Non-threaded</i>
10 ft or less	5 inches / 13 cm <i>Use safety cages if applicable</i>
10 - 12 feet	10 inches / 25 cm
13 feet	20 inches / 51 cm
14 feet	30 inches / 76 cm
15 feet	48 inches / 122 cm
16 feet +	72 inches / 183 cm

#### Matthews Fan Company

1881 Industrial Drive  
Libertyville, IL 60048  
Tele: 847.680.9043  
Fax: 847.680.8140  
www.matthewsfanco.com

© 2020 Matthews Fan Company. All rights reserved.

