

shown in Textured Bronze  
with Walnut blades



# Lindsay

*Designed in 2019*

The Lindsay ceiling fan offers a simple, yet refined air flow solution to any space. The two elegant, solid wood blades quietly circulate air as they revolve around an understated central motor housing. Integrated into the design is an eco-friendly, dimmable LED light kit which will provide illumination for decades to come. The Lindsay is available in matte black, matte white and textured bronze finishes. Blade finish options are barn wood, matte black, matte white or walnut. Constructed of cast aluminum and heavy stamped steel, Lindsay carries a limited lifetime warranty.

## Product Features



DC  
Motor



Damp  
Location



Silent



LED  
Lamp



Dimmable  
Lamp



Remote  
Control



Wall  
Control



Unipack  
Shipping

**NEW**

shown in  
Matte Black  
with Matte Black blades



shown in  
Matte Black  
with Walnut blades



shown in  
Textured Bronze  
with Walnut blades



shown in Matte White  
with Matte White blades



shown in Matte White  
with Barn Wood blades



# LINDSAY

## FINISH AND BLADE OPTIONS

SKU#	LW-XXX-XXX (Model+Finish+Blade)	
Standard Finishes	Matte Black Matte White Textured Bronze	<b>BK</b> <b>MWH</b> <b>TB</b>
Blade Finish	Barn Wood Matte Black Matte White Walnut	<b>BW</b> <b>BK</b> <b>MWH</b> <b>WN</b>

## TECHNICAL SPECS

Fan Diameter	52 inches / 132 cm
Blade Material	CNC Cut Solid Wood
Overall Drop	12 inches / 30 cm
Fan Weight	11 lbs
Voltage	110 (Please contact us for 220V)
Motor Type	DC
Environment	Damp locations for all finishes Neither coastal, saltwater nor chlorine compatible
Ambience	Silent
Safety Certification	ETL / CETL
Warranty	Limited Lifetime

## NEW JAN 21, 2020 DOE MOTOR EFFICIENCY DATA

RPM (Low / High)	51 / 220
CFM (Low / High)	1097 / 4955
Watts (High)	29.61
CFM/Watt (High)	166
Blade Pitch	45°

## LIGHT KIT PHOTOMETRICS

Lamping (Replaceable)	Integrated LED
Remote Dimmable	Yes
Delivered Temperature in K	2940
Delivered Lumens	557
CRI	93.7
Watts	17
Hours	37,000

Light kit longevity if used 6 Hours/Day: 16.9 Years

## STANDARD EQUIPMENT

Black 6-speed RF remote control with reverse



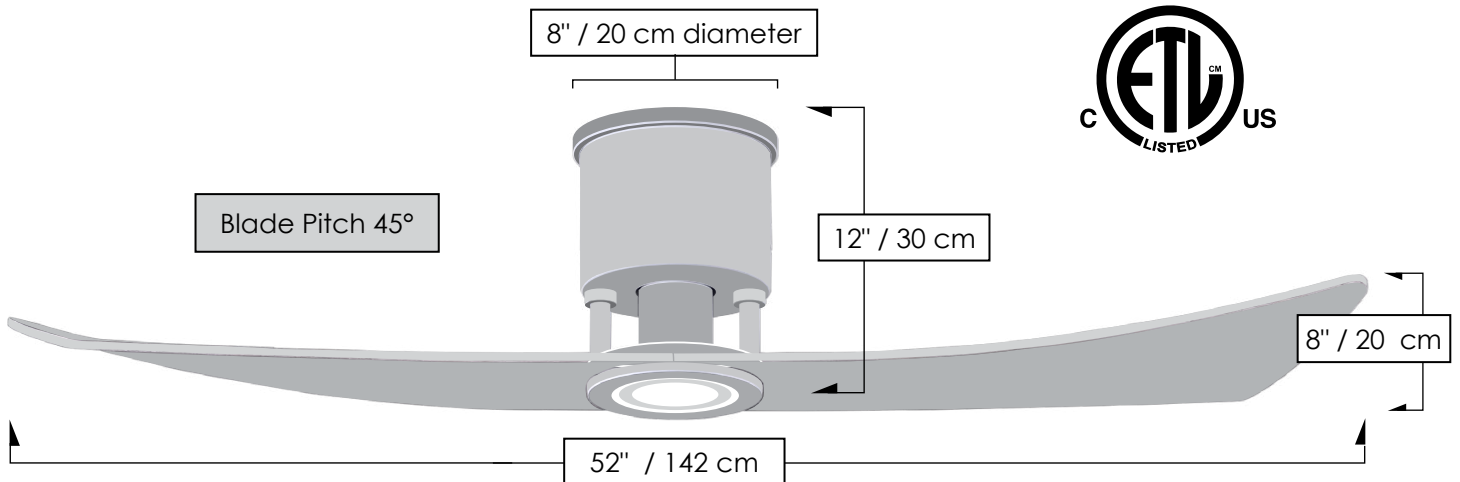
White wireless Decora-style, 6-speed, wall control



NOTE: Only compatible with included controllers.

## Blade Options





CEILING PITCH TABLE	
0/12	0 degrees
1/12	4.76 degrees
2/12	9.46 degrees
3/12	14.04 degrees
4/12	18.43 degrees
5/12	22.62 degrees
6/12	26.57 degrees
7/12	30.26 degrees
8/12	33.69 degrees
9/12	36.87 degrees
10/12	39.81 degrees
11/12	42.51 degrees

CEILING HEIGHT / DOWNROD TABLE	
Ceiling Height	Downrod Lengths <i>Field cuttable. Non-threaded</i>
10 ft or less	5 inches / 13 cm <i>Use safety cages if applicable</i>
10 -12 feet	10 inches / 25 cm
13 feet	20 inches / 51 cm
14 feet	30 inches / 76 cm
15 feet	48 inches / 122 cm
16 feet +	72 inches / 183 cm

### Matthews Fan Company

1881 Industrial Drive  
Libertyville, IL 60048  
Tele: 847.680.9043  
Fax: 847.680.8140  
www.matthewsfanco.com

© 2021 Matthews Fan Company. All rights reserved.

