

shown in Brushed Brass
with 52" Walnut blades



Irene-3HLK

Designed in 2016

The Irene-3HLK ceiling-mount fan is rustic, yet strikingly modern with three neatly joined, solid wood matte black, matte white, walnut, or barn wood tone blades. A cylindrical motor housing complements its minimal profile. Irene-3HLK is streamline while still appearing warm and natural. Constructed of cast aluminum and heavy stamped steel, the Irene-3HLK has a limited lifetime warranty.

Product Features



DC
Motor



Damp
Location



Silent



LED
Lamp



Dimmable
Lamp



Remote
Control



Wall
Control



shown in Matte Black with 52" Matte Black blades



shown in Brushed Nickel with 52" Barn Wood blades



shown in Textured Bronze with 60" Walnut blades



shown in Polished Chrome with 52" Matte Black blades



shown in Gloss White with 60" Matte White blades



shown in Brushed Brass with 42" Walnut blades

IRENE-3HLK

FINISH AND BLADE OPTIONS

SKU#	IR3HLK-XXXX-XXX-XX (Model+Finish+Blade+Diameter)	
NEW Standard Finishes	Brushed Brass	BRBR
	Polished Chrome	CR
	Textured Bronze	TB
	Gloss White	WH
	Matte Black	BK
NEW Blade Finishes	Barn Wood Tone	BW
	Matte Black	BK
	Matte White	MWH
	Walnut Tone	WA
Fan Diameter	42 inches / 107 cm	42
	52 inches / 132 cm	52
	60 inches / 152 cm	60

TECHNICAL SPECS

Fan Diameter	inches: 42, 52 or 60 centimeters: 107, 132 or 152
Blade Material	CNC Cut Solid Wood
Overall Drop	12 inches / 30 cm
Fan Weight	12 lbs
Voltage	110 or 220
Motor Type	DC
Environment	Damp locations for all finishes Neither coastal, saltwater nor chlorine compatible
Ambience	Silent
Safety Certification	ETL / CETL
Warranty	Limited Lifetime

NEW JAN 21, 2020 DOE MOTOR EFFICIENCY DATA

Fan Diameter	42 inch / 107 cm	52 inch / 132 cm	60 inch / 152 cm
RPM (Low / High)	50 / 232	51 / 212	51 / 152
CFM (Low / High)	701 / 3573	1057 / 5047	1783 / 5878
Watts (High)	17.61	32.49	30.81
CFM/Watt (High)	168	149	191
Blade Pitch	15°	15°	15°

LIGHT KIT PHOTOMETRICS

Lamping (Replaceable)	Integrated LED
Remote Dimmable	Yes
Delivered Temperature in K	3075
Delivered Lumens	690
CRI	90
Watts	16
Hours	60,000
Light kit longevity if used 6 Hours/Day: 27.4 Years	

STANDARD EQUIPMENT

Light Cover

Black 6-speed RF remote control with reverse



White wireless Decora-style, 6-speed, wall control with reverse



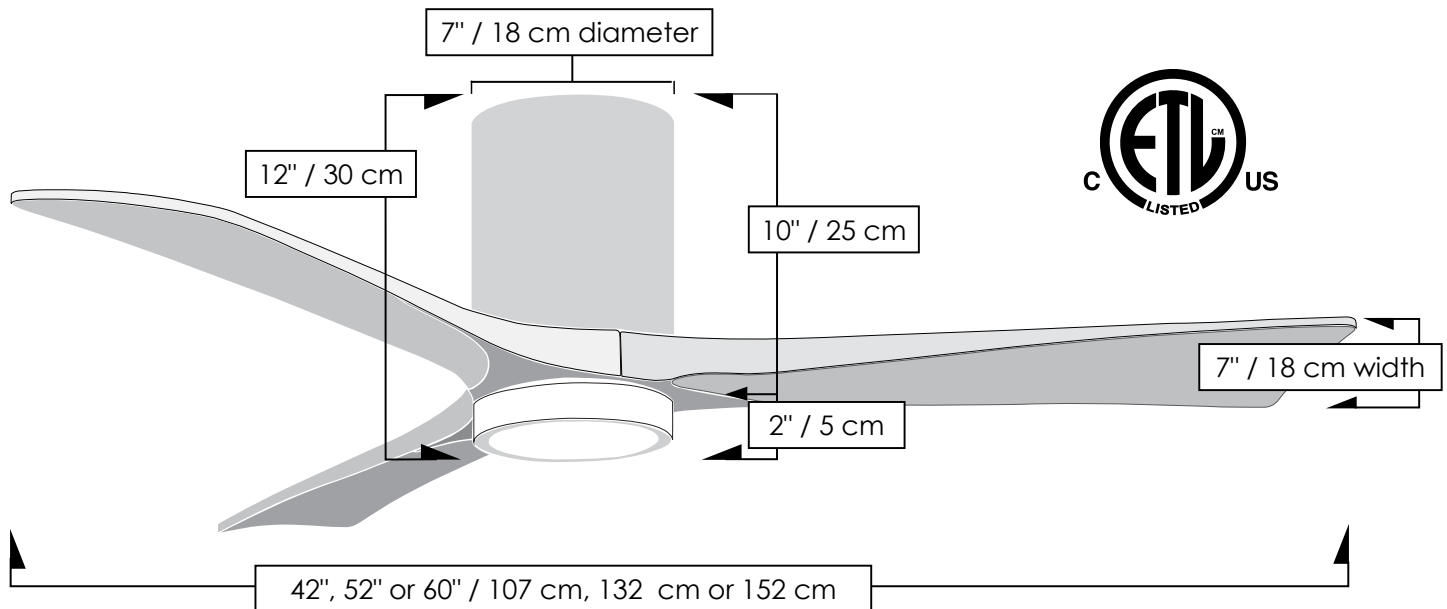
NOTE: Only compatible with included controllers.

Blade Options



Irene-3HLK

TECHNICAL SPECIFICATIONS



CEILING PITCH TABLE

0/12	0 degrees
1/12	4.76 degrees
2/12	9.46 degrees
3/12	14.04 degrees
4/12	18.43 degrees
5/12	22.62 degrees
6/12	26.57 degrees
7/12	30.26 degrees
8/12	33.69 degrees
9/12	36.87 degrees
10/12	39.81 degrees
11/12	42.51 degrees

CEILING HEIGHT TABLE

Suitable for ceiling heights 7'10" or greater

Matthews Fan Company

1881 Industrial Drive
 Libertyville, IL 60048
 Tele: 847.680.9043
 Fax: 847.680.8140
 www.matthewsfanco.com

© 2021 Matthews Fan Company. All rights reserved.

