



Project: _____

Location: _____

Fixture Type: _____

Catalog Number: _____

AVAILABLE FINISHES:



Magic

PD-35603L

PRODUCT DESCRIPTION

Crafted from Piastra crystal, an artisanal technique that dates all the way back to the 13th century, these crystalline staves project gorgeous LED illumination from all sides for adazzling presentation of light. Whether you choose a simple pendant or design an entire space with coordinating chandeliers and sconces, these sparkling designs will make you believe in Magic. Ideal for large residential, hospitality and commercial applications.

FEATURES

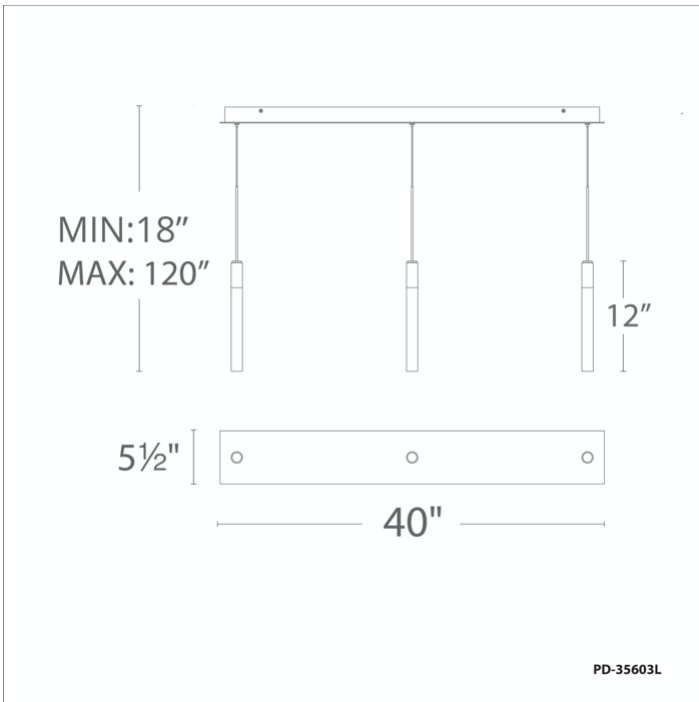
- Driver concealed within the canopy
- Cylindrical Piastra crystal shades
- Thin powered aircraft cables provide an ultra clean look for adjustable suspension height

SPECIFICATIONS

Rated Life	50000 Hours
Standards	ETL, cETL,Damp Location Listed
Input	120-277V,50/60Hz
Dimming	ELV
Color Temp	3000K
CRI	90
Construction	Aluminum body with Crystalized Piastra art glass.

REPLACEMENT PARTS

RPL-GLA-12620 - Glass



Model & Size	Color Temp & CRI	Watt	Lumens	Finish
PD-35603L 40" - 3 Lights	3000K 90 3000K 90	17.4W 17.4W	618 618	BK Black PN Polished Nickel

Example: **PD-35603L-PN**

For custom requests please contact customs@modernforms.com



Project: _____

Location: _____

Fixture Type: _____

Catalog Number: _____

AVAILABLE FINISHES:



Magic

PD-35605L

PRODUCT DESCRIPTION

Crafted from Piastra crystal, an artisanal technique that dates all the way back to the 13th century, these crystalline staves project gorgeous LED illumination from all sides for adazzling presentation of light. Whether you choose a simple pendant or design an entire space with coordinating chandeliers and sconces, these sparkling designs will make you believe in Magic. Ideal for large residential, hospitality and commercial applications.

FEATURES

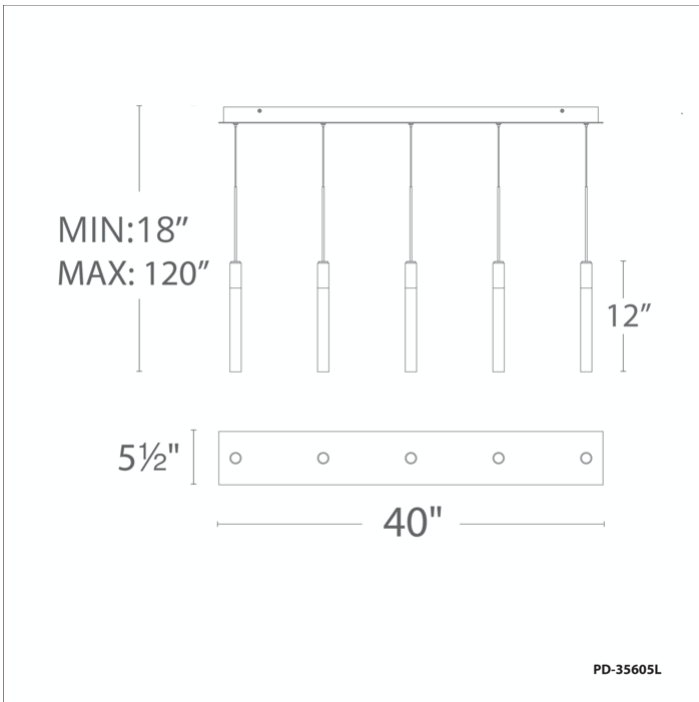
- Driver concealed within the canopy
- Cylindrical Piastra crystal shades
- Thin powered aircraft cables provide an ultra clean look for adjustable suspension height

SPECIFICATIONS

Rated Life	50000 Hours
Standards	ETL, cETL,Damp Location Listed
Input	120-277V,50/60Hz
Dimming	ELV
Color Temp	3000K
CRI	90
Construction	Aluminum body with Crystalized Piastra art glass.

REPLACEMENT PARTS

RPL-GLA-12620 - Glass



Model & Size	Color Temp & CRI	Watt	Lumens	Finish
PD-35605L 40" - 5 Lights	3000K 90 3000K 90	29W 29W	1030 1030	BK Black PN Polished Nickel

Example: **PD-35605L-PN**

For custom requests please contact customs@modernforms.com



Project: _____

Location: _____

Fixture Type: _____

Catalog Number: _____

AVAILABLE FINISHES:



Magic

PD-35623L

PRODUCT DESCRIPTION

Crafted from Piastra crystal, an artisanal technique that dates all the way back to the 13th century, these crystalline staves project gorgeous LED illumination from all sides for adazzling presentation of light. Whether you choose a simple pendant or design an entire space with coordinating chandeliers and sconces, these sparkling designs will make you believe in Magic. Ideal for large residential, hospitality and commercial applications.

FEATURES

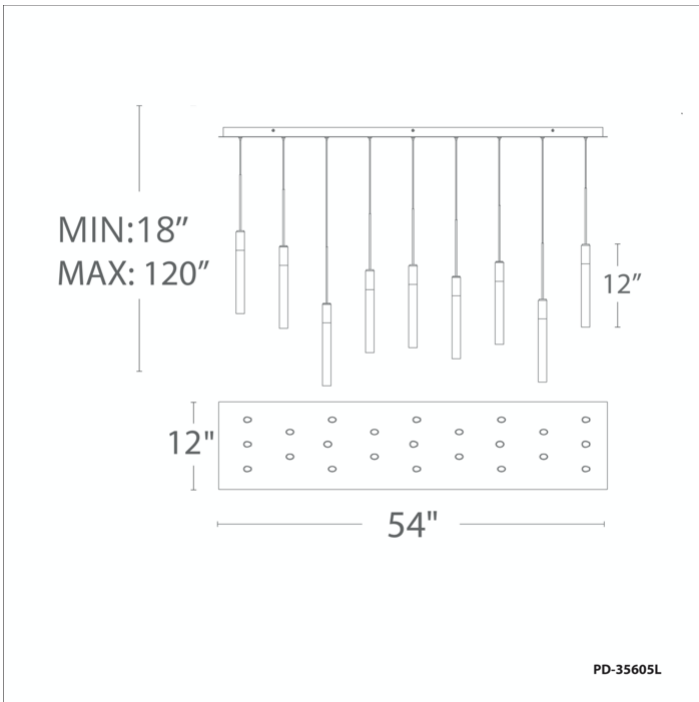
- Driver concealed within the canopy
- Cylindrical Piastra crystal shades
- Thin powered aircraft cables provide an ultra clean look for adjustable suspension height

SPECIFICATIONS

Rated Life	50000 Hours
Standards	ETL, cETL,Damp Location Listed
Input	120-277V,50/60Hz
Dimming	ELV
Color Temp	3000K
CRI	90
Construction	Aluminum body with Crystalized Piastra art glass.

REPLACEMENT PARTS

RPL-GLA-12620 - Glass



Model & Size	Color Temp & CRI	Watt	Lumens	Finish
PD-35623L 54" - 23 Lights	3000K 90 3000K 90	133.4W 133.4W	4738 4738	BK Black PN Polished Nickel

Example: **PD-35623L-PN**

For custom requests please contact customs@modernforms.com