

Project: _____

Location: _____

Fixture Type: _____

AVAILABLE FINISHES



Alaska 6

5367-860RC-WH-3

5367-860RC-WH-TR-CCT

PRODUCT DESCRIPTION

Circular Ring Flush ceiling light, finished in matte white aluminum with an acrylic inner ring diffused light source. Featuring integrated Dimmable LEDs.

FEATURES

Category: Ceiling indoor-lighting / Flush Mount

Style: contemporary/modern

Lumens: 4800lm

Measurement: diameter 30" / height 2,36"

Finish: Matte White

LED Color temperature: 3000 Kelvin (Warm White)
CCT MODEL: 3000-4000K

CRI: 90

Light source: Integrated LED, 60 Watts

Input: 120 VAC, 50/60Hz

TRIAC Dimming: 100-10%

Location: Dry

Rated Life: 50000 Hours

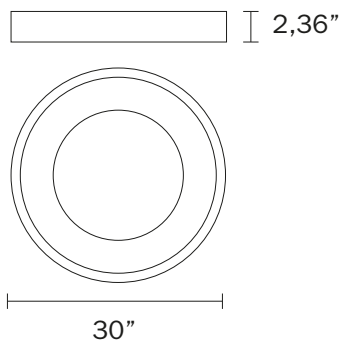
Construction: Aluminum body with acrylic diffuser

Driver: concealed within the fixture

Manufactured in: China

Safety Rating: ETL Listed

Warranty: 3 Years



5367-860RC-WH-3
5367-860RC-WH-TR-CCT

MODEL AND SIZE	COLOR TEMP	FINISH	LED WATTS	LED LUMENS
5367-860RC 30"	3000K	WH	60W	4800
5367-860RC-WH-TR-CCT	CCT:3000-4000	WH	60W	4800