

# MALAMATA

design Shulab

**LUCE  
PLAN**

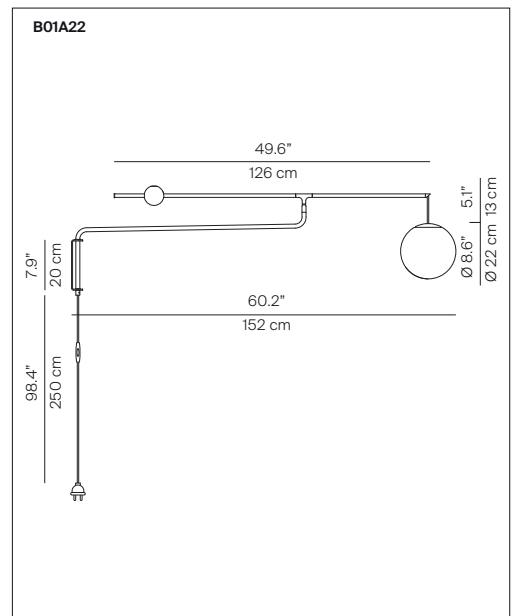
- Type: Wall
- Lamps: **B01A22** Max 35W E12 T6 or max 15W E12 SBLED T dimmer on board 120V~ 60Hz
- Product use: Indoor
- Materials: Steel structure, blown glass diffuser
- Colors: Matt black and brushed brass
- Description: The wall version is equipped with two articulated arms which, exploiting the counterweight movement, give great flexibility in the diffuser placement.

Marking: 

Reference code: Structure

<b>B01A22</b>	1B010A220501	Black
	1B010A220530	Brushed brass

Opal diffuser		
B01/1	1B010/100002	Ø 8.7"



\*Available for delivery in North America from October 2022

