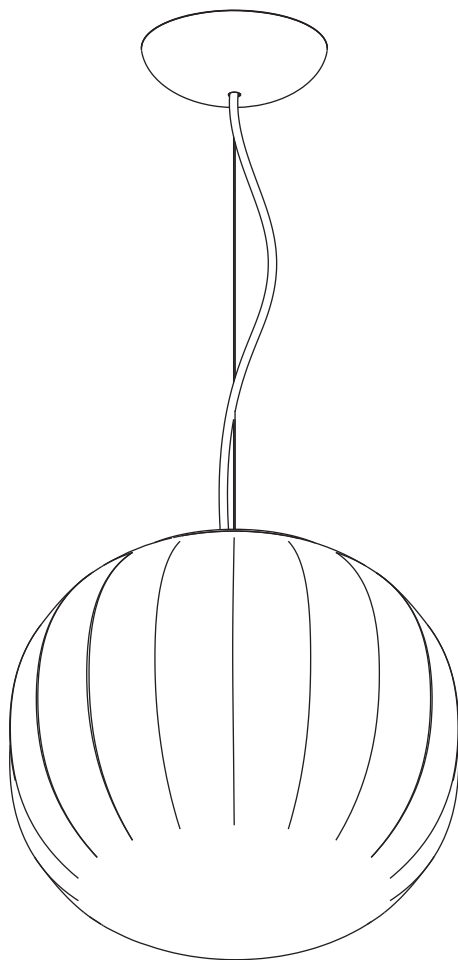


LITA

design David Dolcini

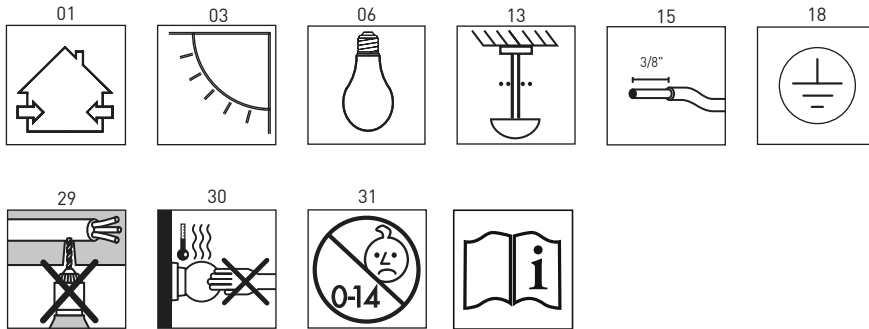


**LUCE
PLAN**

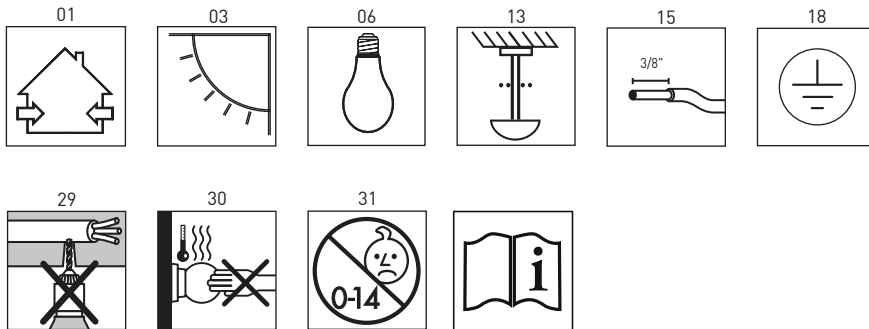
D92



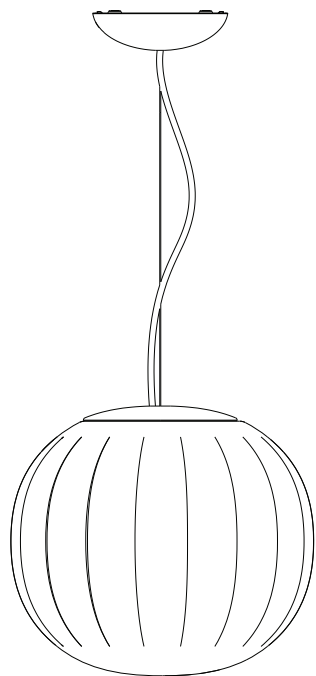
D92S30



D92S42



D92S30 + D92/3



30 cm

11.81"

max 330 cm - min. 130 cm

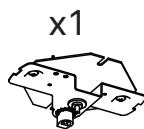
max 129.92" - min. 51.18"



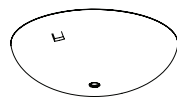
a



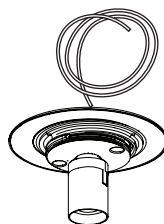
b



x1



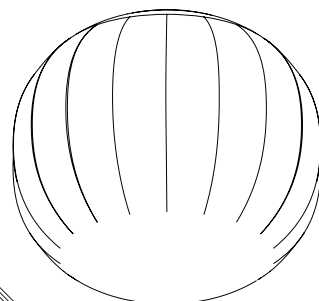
x1



x1



x1



x1



x1

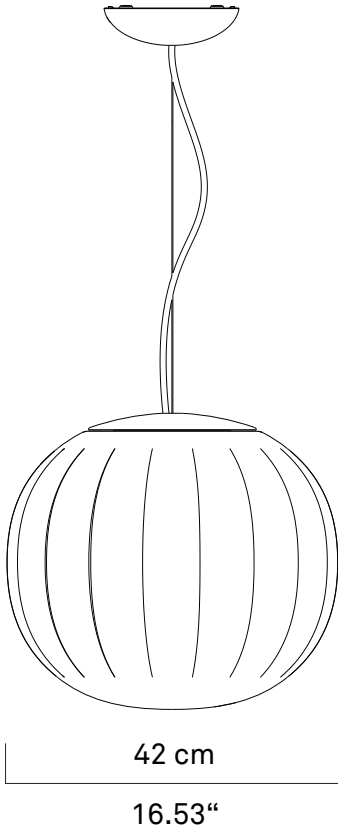
kg 2.3kg

lb 5 lb



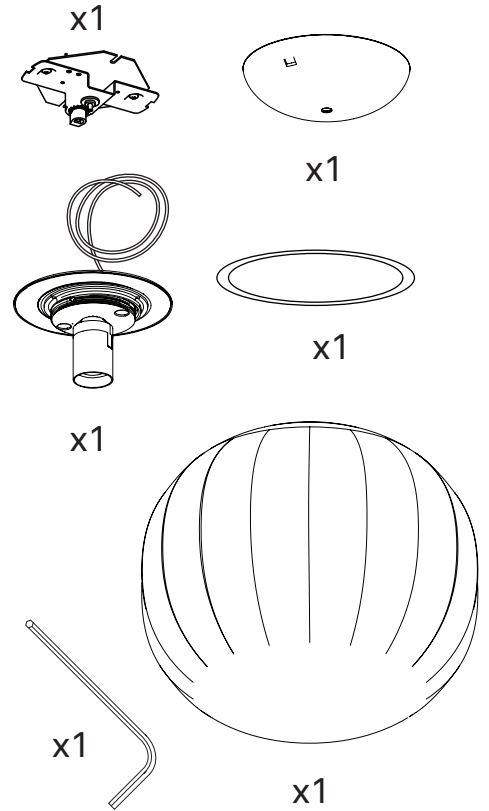
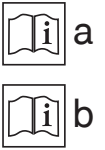
MAX
15W
LED
E26

D92S42 + D92/4



max 342 cm - min. 142 cm

max 134.64" - min. 55.90"



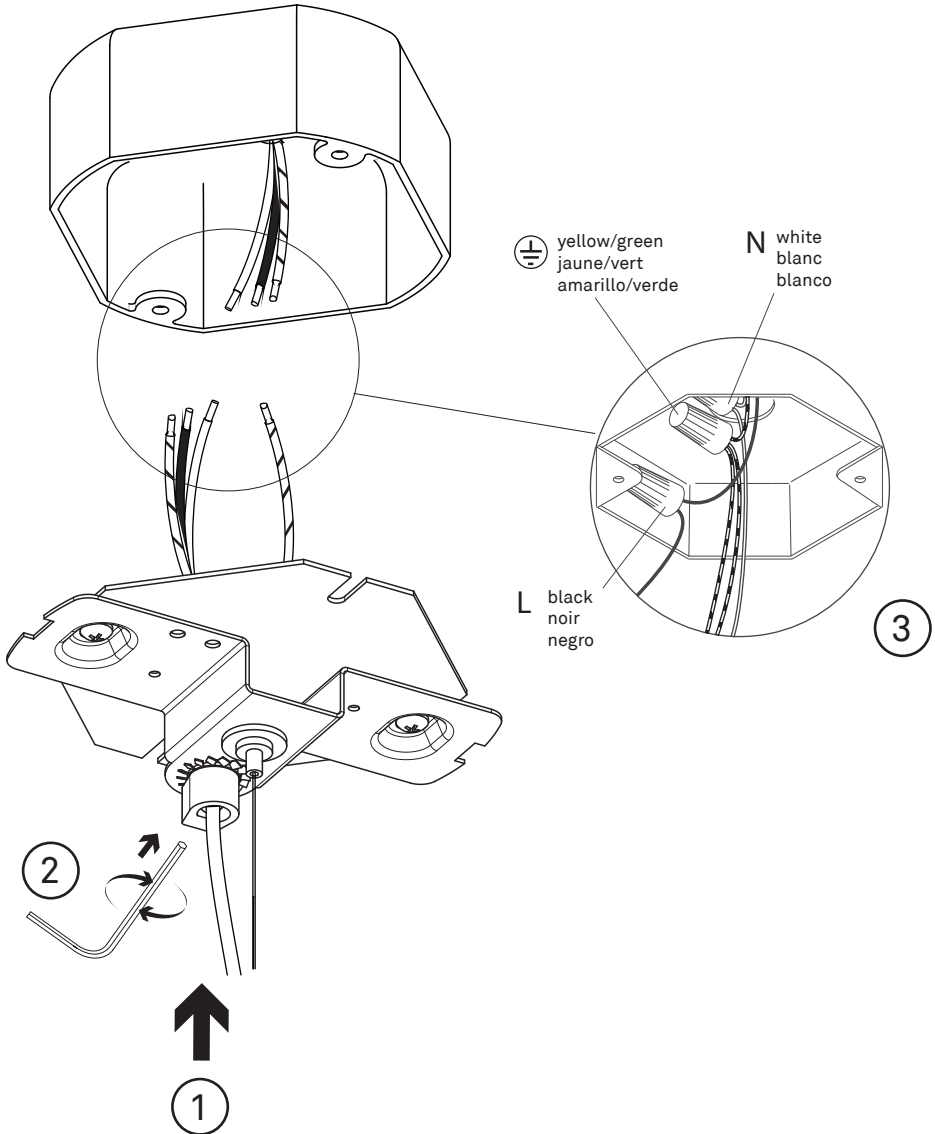
kg 5.3kg

lb 11.7 lb

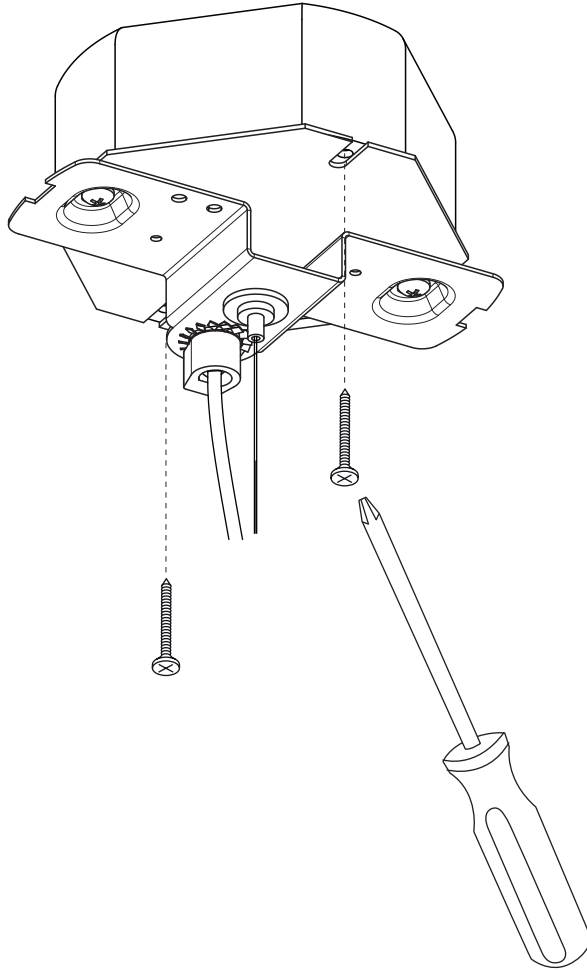
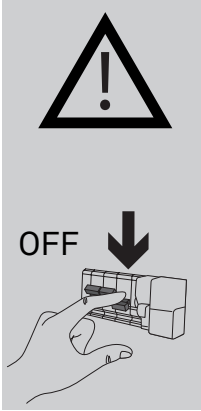


MAX
15W
LED
E26

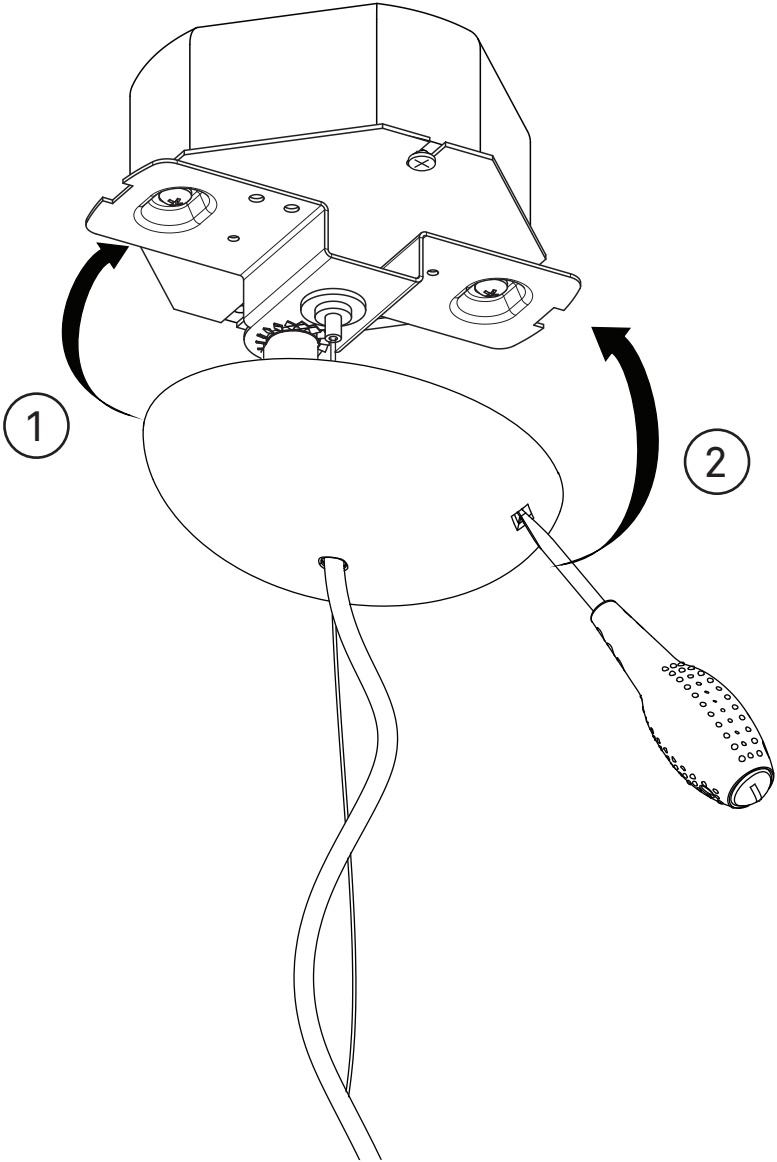
1 | 1.1



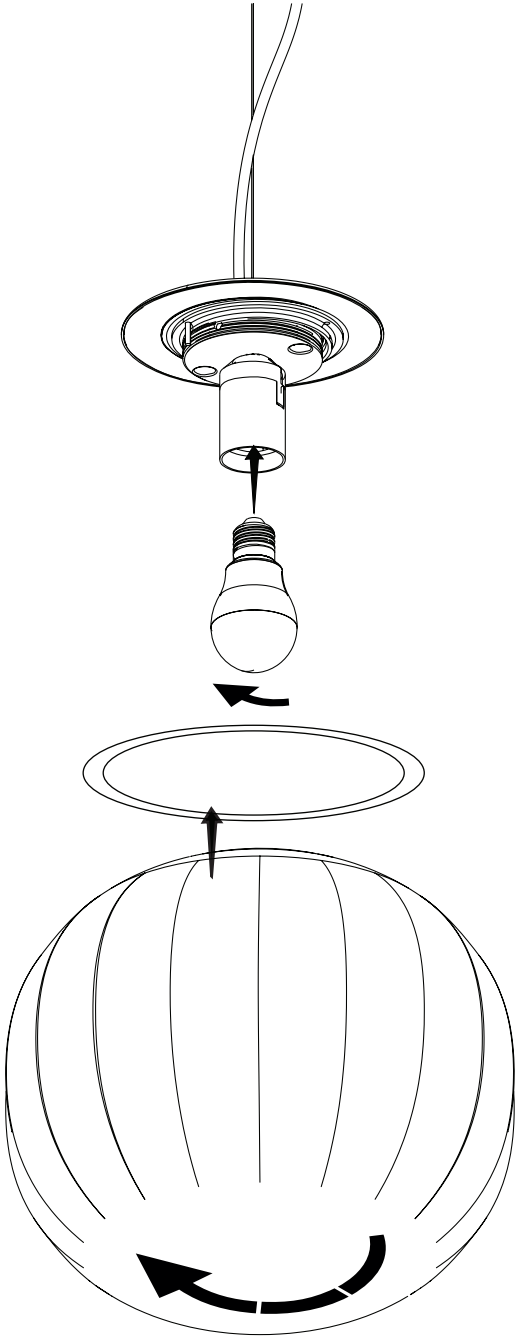
1.2



1.3

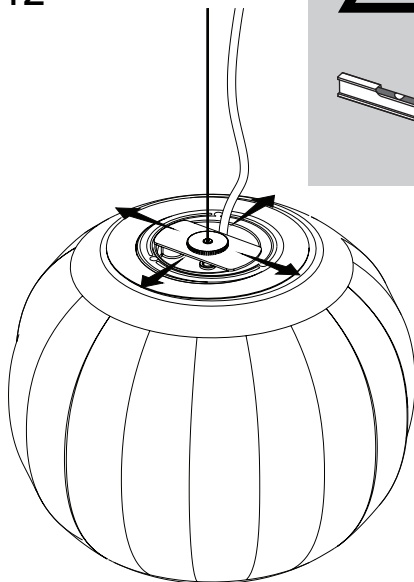
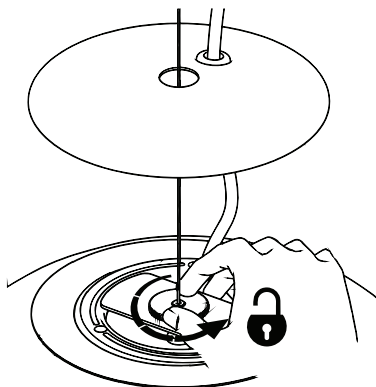
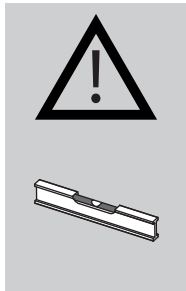


2

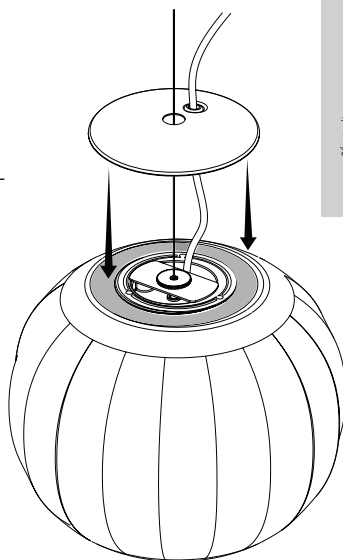
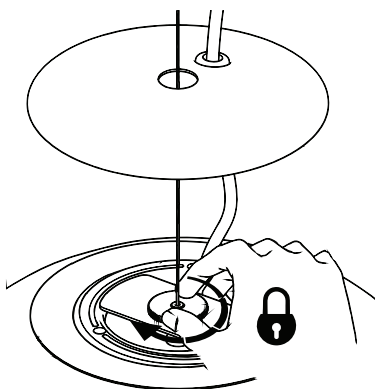
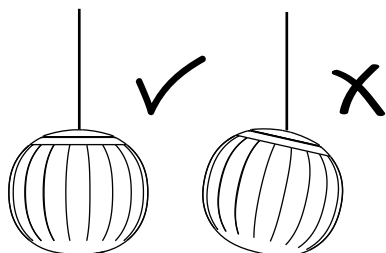


2.1

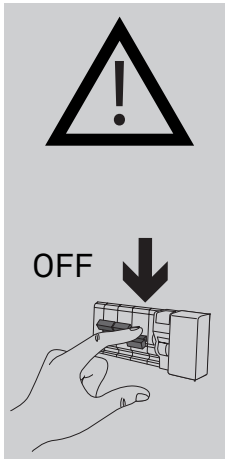
D92S30 - D92S42



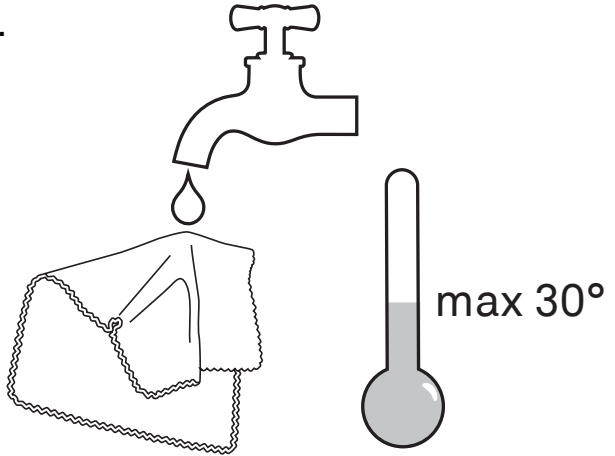
2.2



3



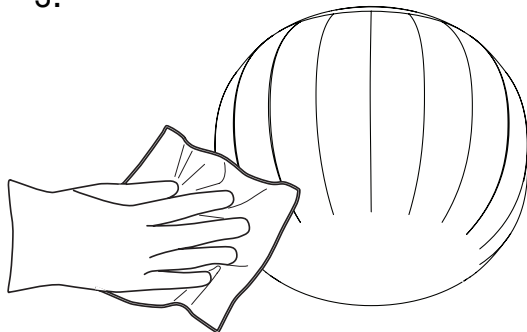
1.



2.



3.





www.luceplan.com

D920I0101