

DIADE

design Monica Armani



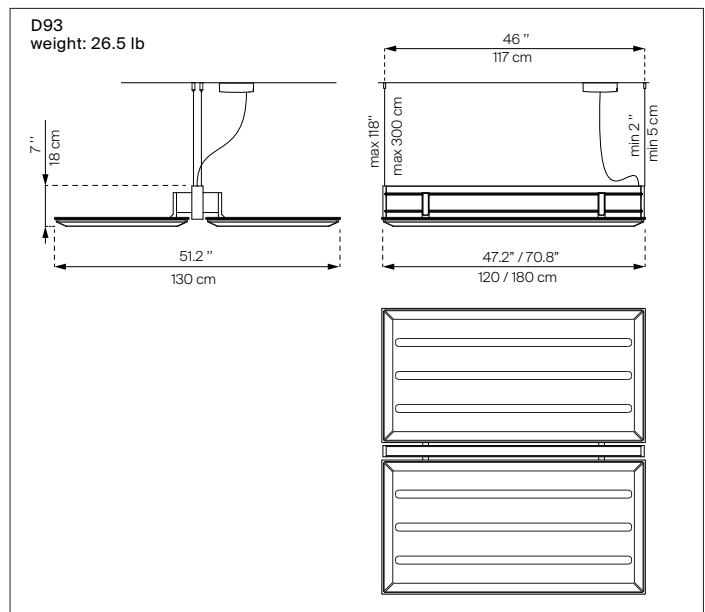
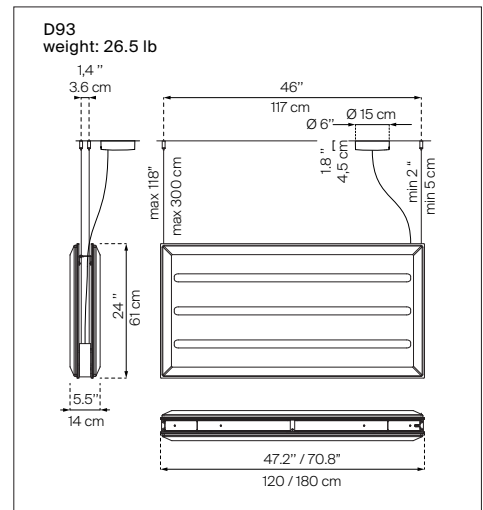
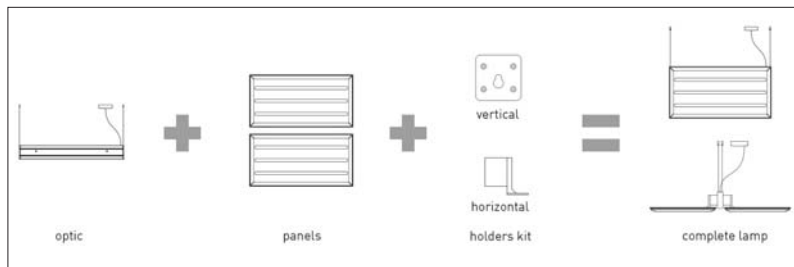
Type: Suspension
 Light source: **D93 (47")**
direct version
 LED 45W, 3500K CRI 80
 dimmable 0-10V - 120/277V~
direct/indirect version (only for horizontal configuration)
 LED 45W + 35W, 3500K CRI 80
 dimmable 0 - 10V - 120/277V~
D93 (71")
direct version
 LED 66W, 3500K CRI 80
 dimmable 0-10V - 120/277V~
direct/indirect version (only for horizontal configuration)
 LED 66W + 55W, 3500K CRI 80
 dimmable 0-10V - 120/277V~

Product use : Indoor
 Material: Lamp body in aluminium
 Sound-absorbing panel in molded pet
 Colors: structure: natural grey aluminium
 panel: White/Black, White/Blue, White/Beige

Description : A linear LED lamp for the workplace, the technical LED lighting, ideal for work, is directly downward by the central line, with the possibility of two beams, depending on lighting requirements.



Certification:



Reference code:

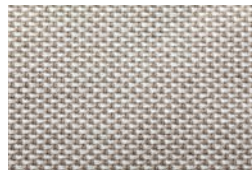
Optic 47"			
D93SDDC	1D930SDDC520	(direct light) alu	
D93SDIC	1D930SDLC520	(direct/indirect light) alu	
Panels 47"			
D93/1	1D93010000A1	white/black	
	1D93010000A2	white/blue	
	1D93010000A4	white/beige	
Optic 71"			
D93SDDL	1D930SDDL520	(direct light) alu	
D93SDIL	1D930SDLL020	(direct/indirect light) alu	
Panels 71"			
D93/3	1D93030000A1	white/black	
	1D93030000A2	white/blue	
	1D93030000A4	white/beige	
Vertical support kit			
D93/5	1D9305000020	alu (for Diade 47")	
D93/7	1D9307000020	alu (for Diade 71")	
Horizontal support kit			
D93/6	1D9306000020	alu (for Diade 47")	
D93/8	1D9308000020	alu (for Diade 71")	



White/Black



White/Blue



White/Beige

