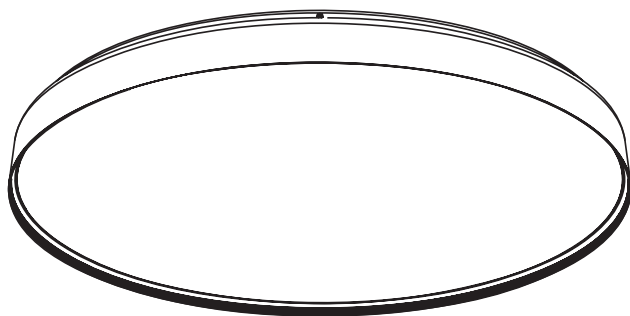


# COMPENDIUM PLATE

design Daniel Rybakken



**LUCE  
PLAN**

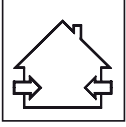
---

D81P



## D81P

01



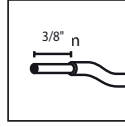
04



11



15



17



22



29



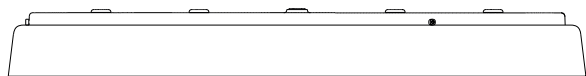
30



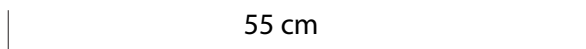
31



# D81P

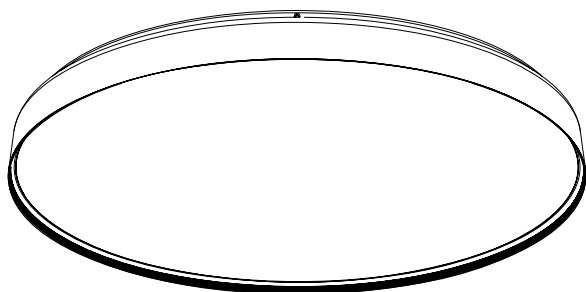


7 cm  
2.7"

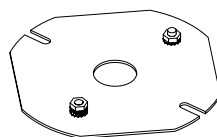


55 cm

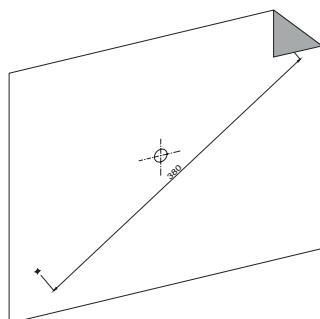
22"



x1



x1

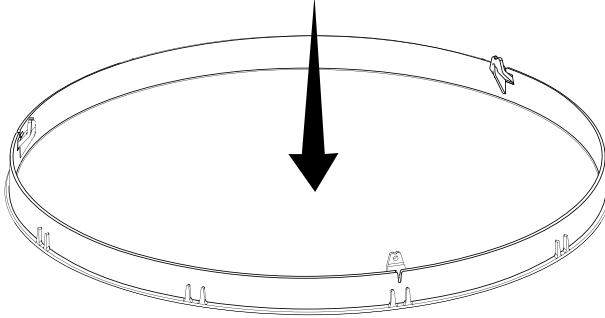
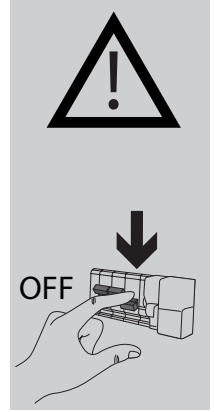
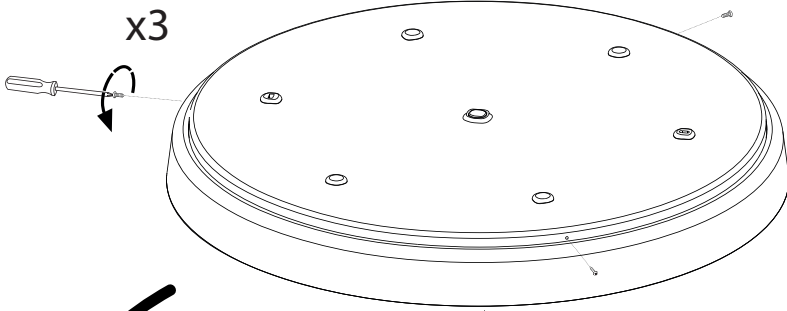


x1

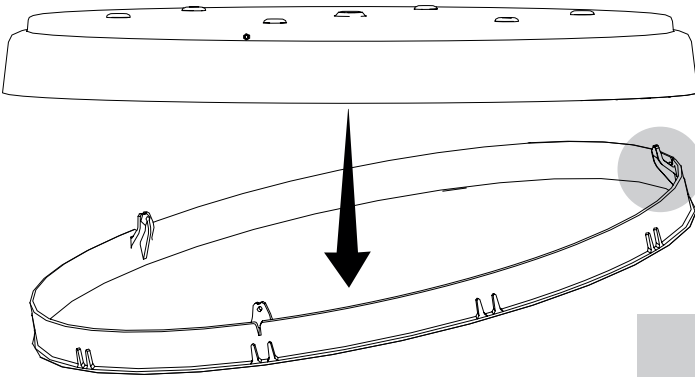
**kg** 4 kg

**lb** 8.8 lb

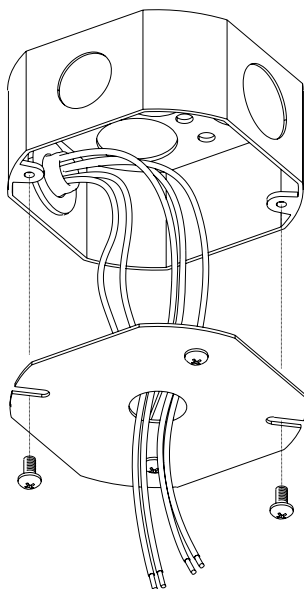
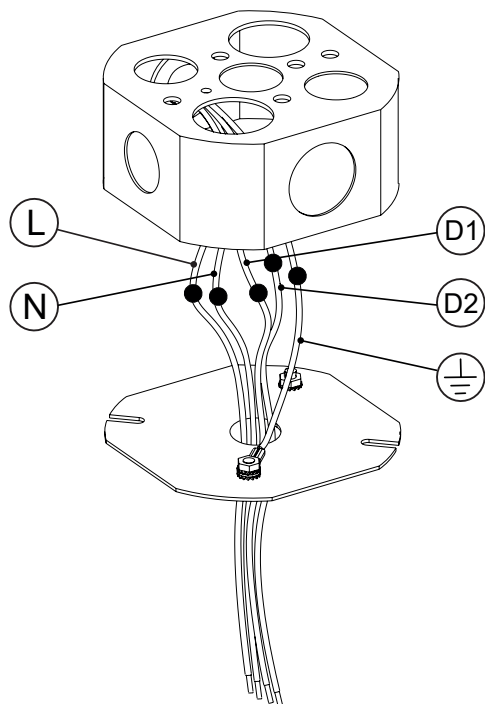
# 1



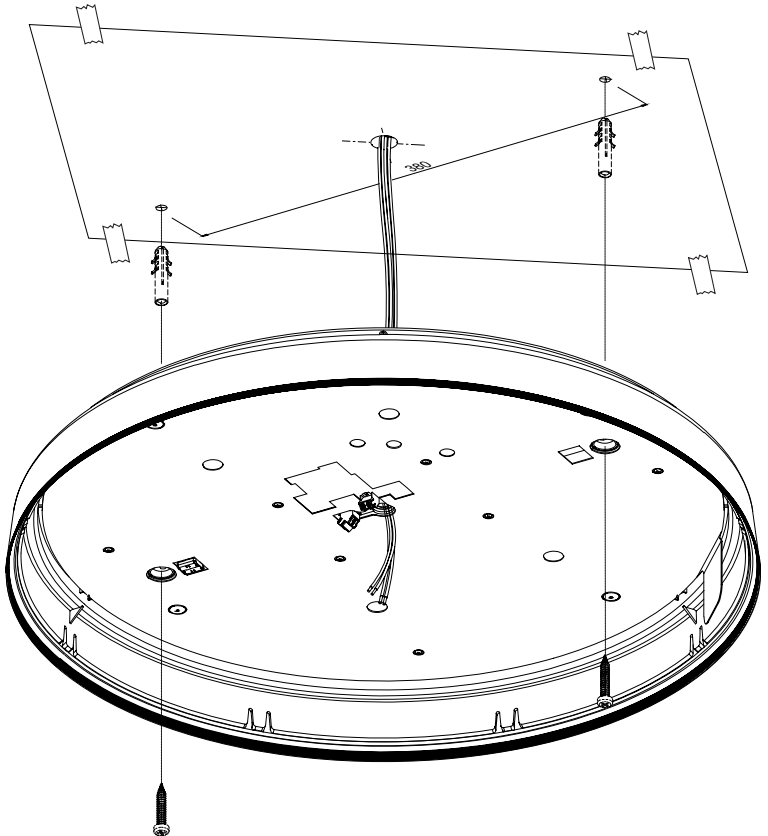
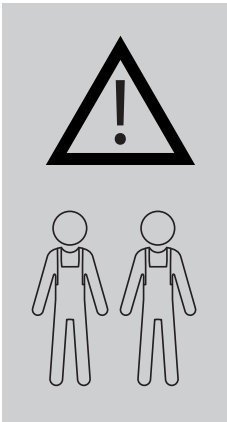
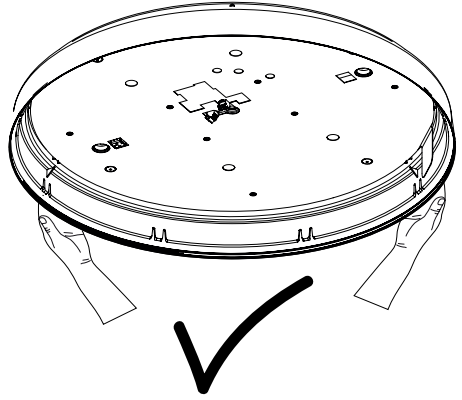
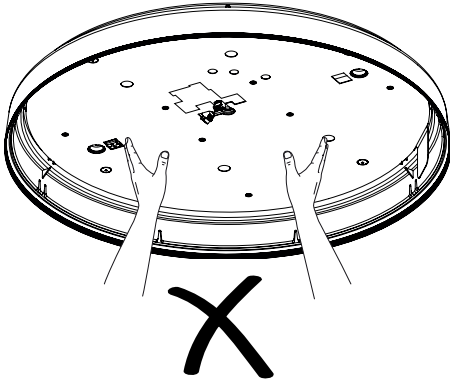
# X



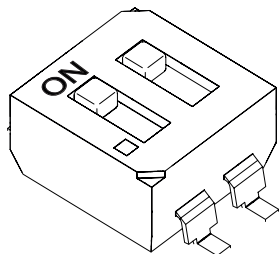
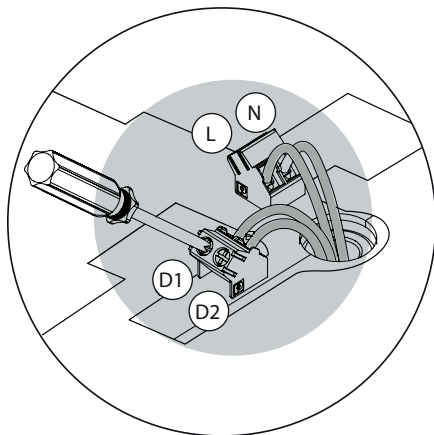
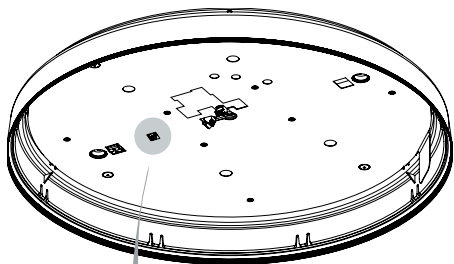
# 1.1



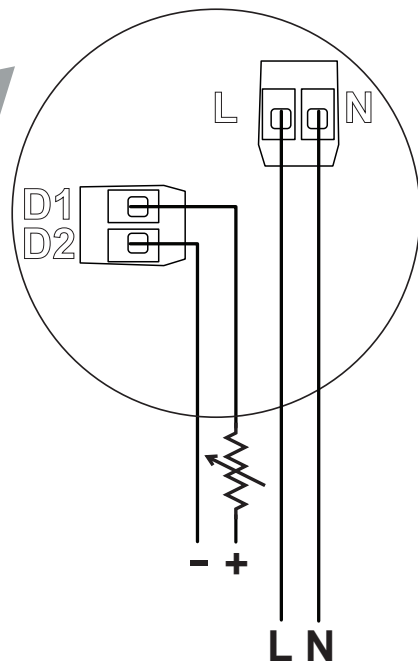
## 1.2



# 1.3 D81P1 (120V)



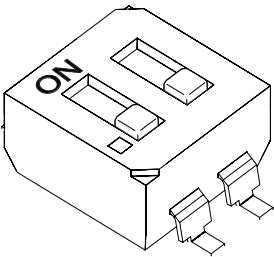
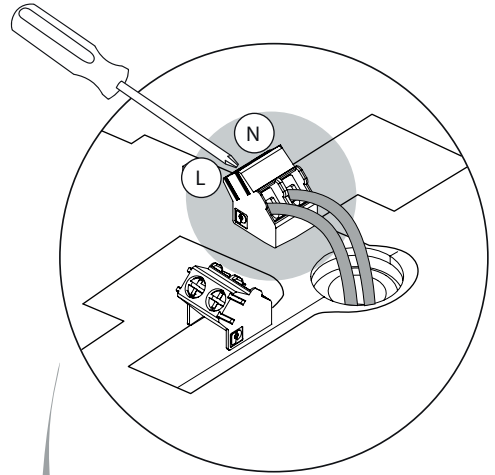
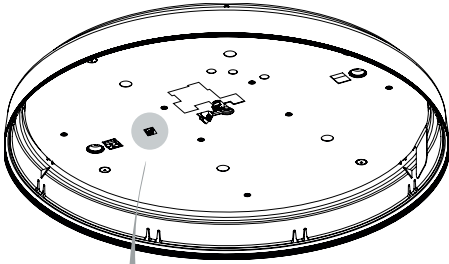
1-10V



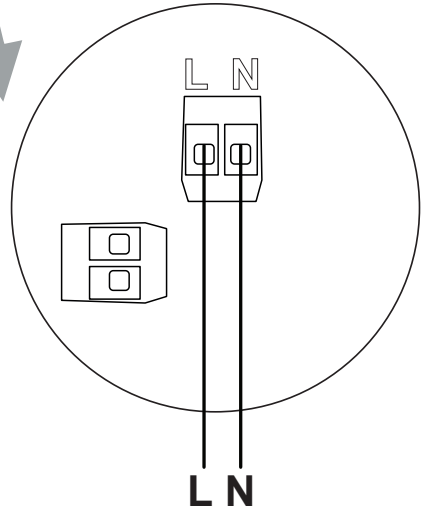
1-10V



# 1.3 D81P1 (120V)



TRAILING  
EDGE

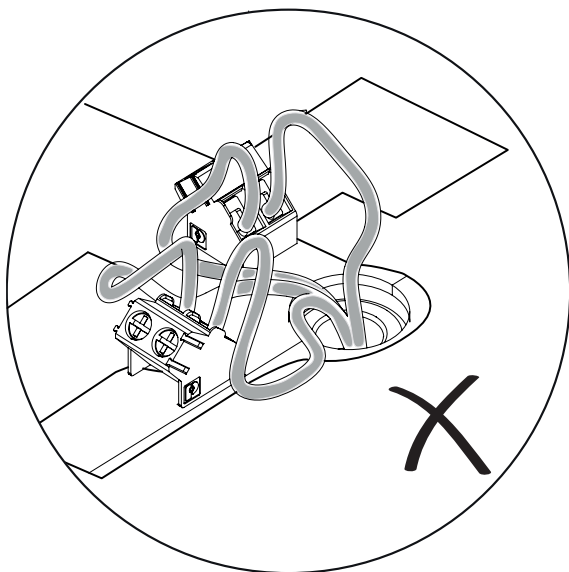
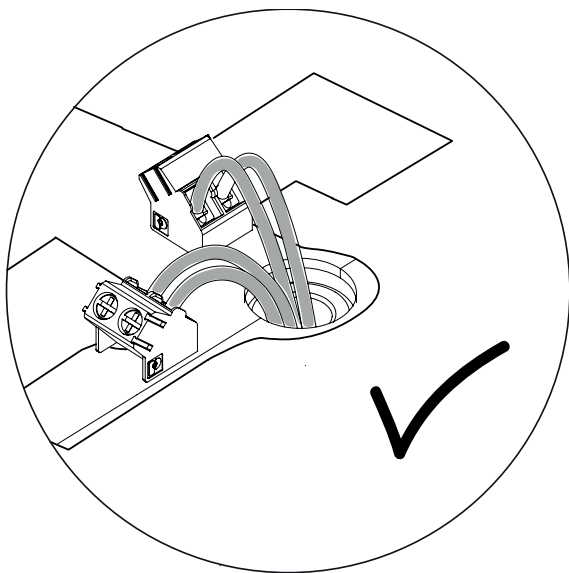


TRAILING EDGE

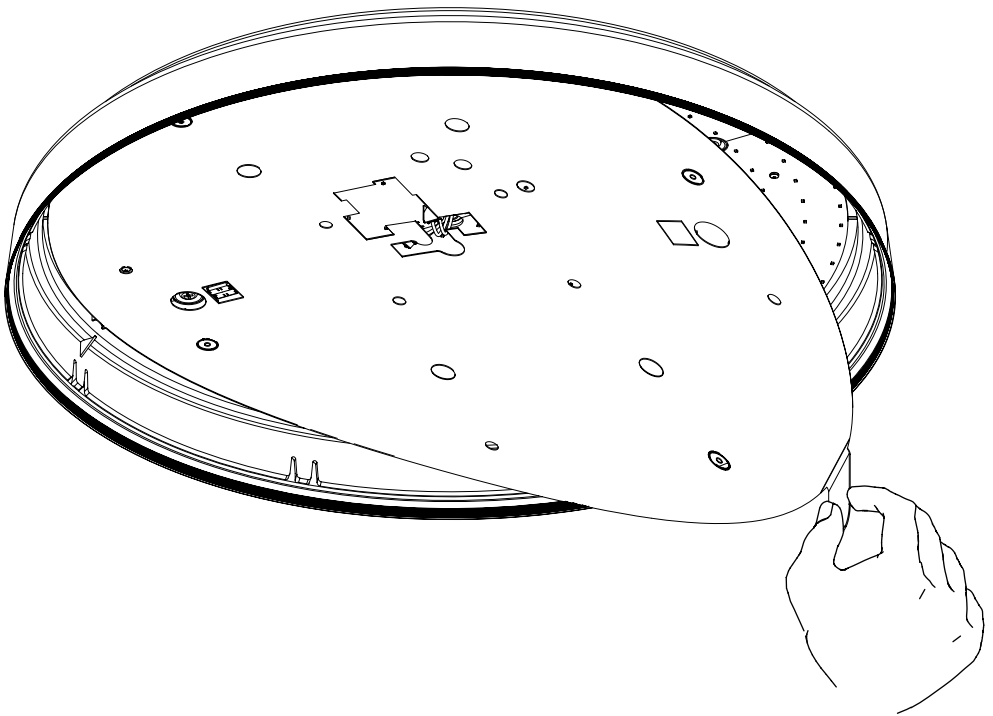




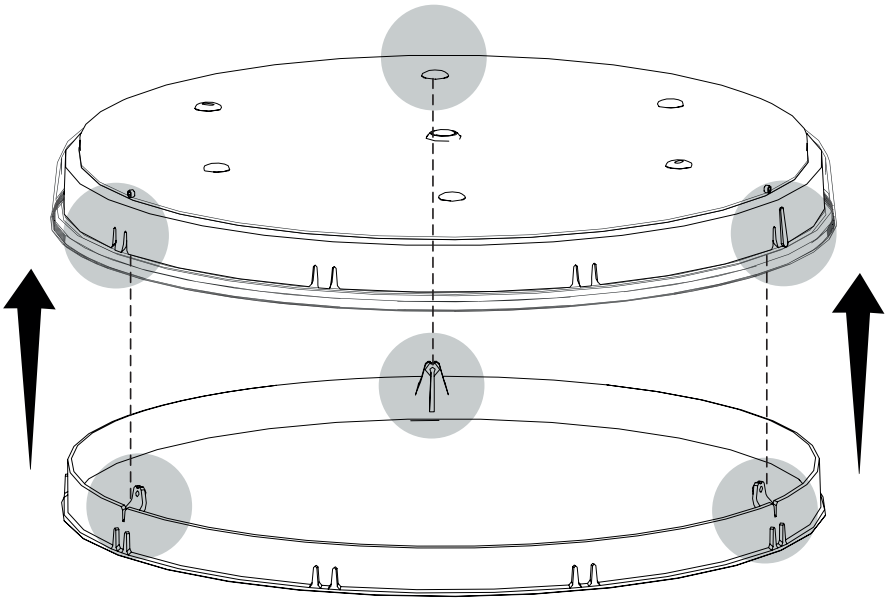
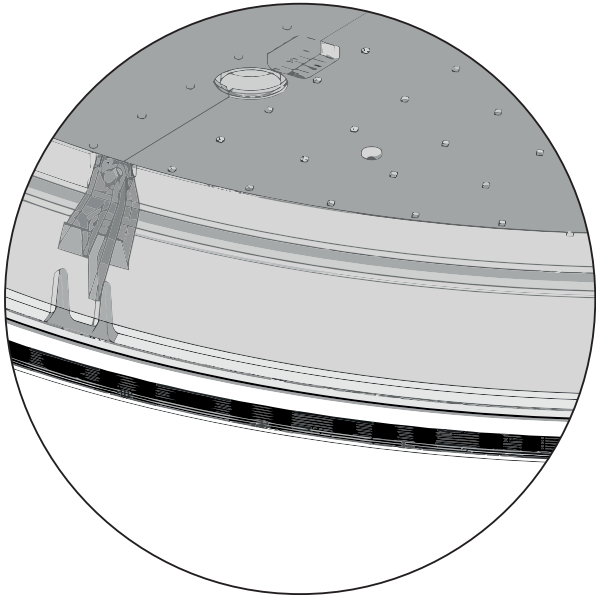
# 1.4



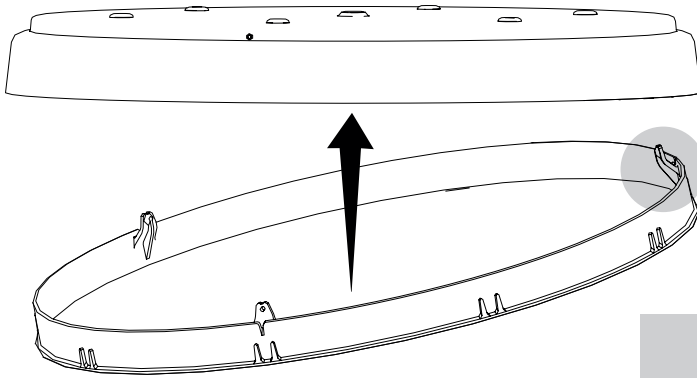
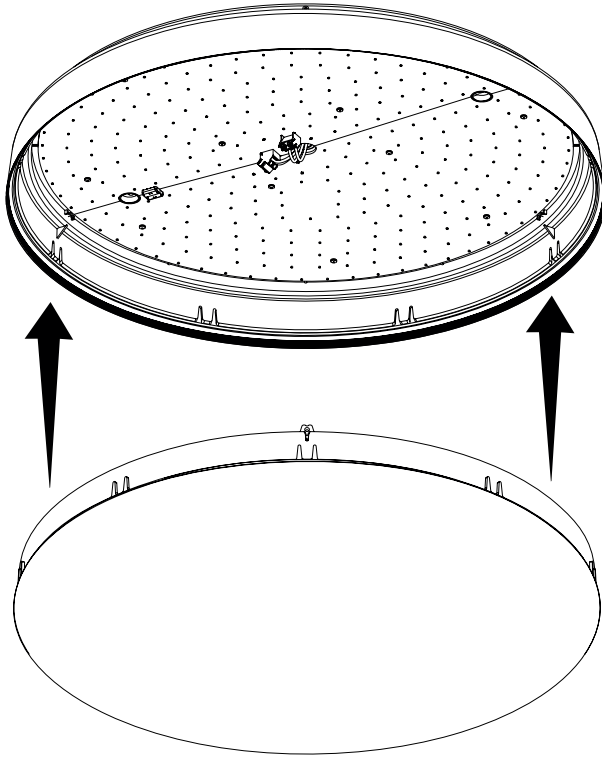
1.4



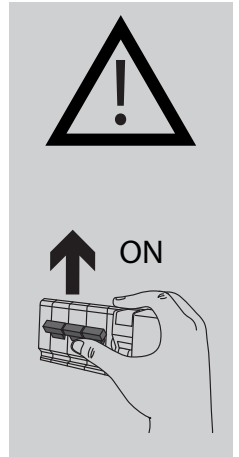
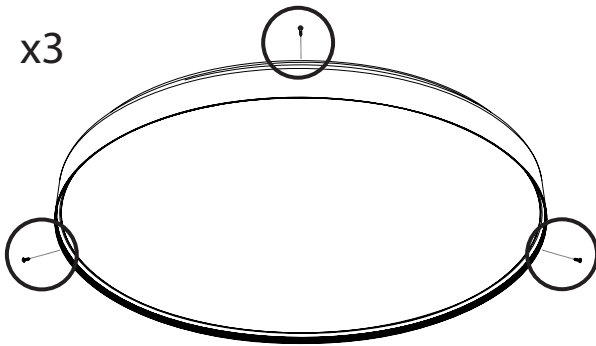
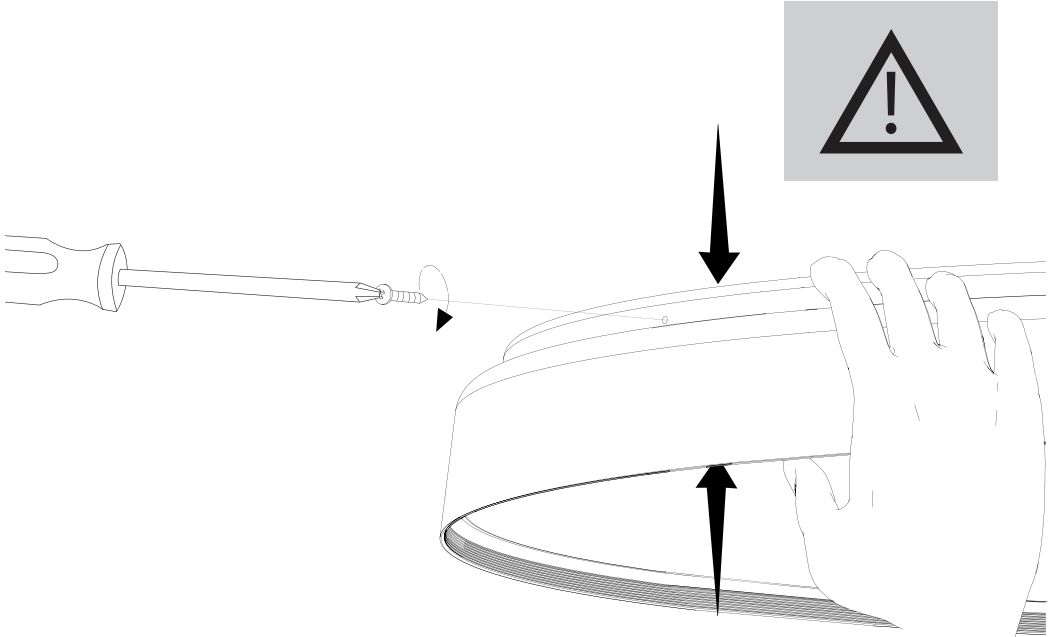
# 1.5



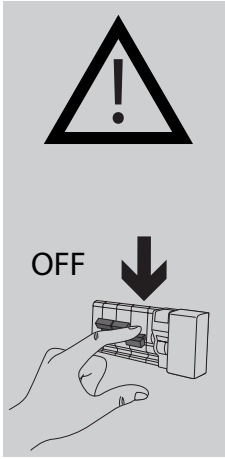
# 1.6



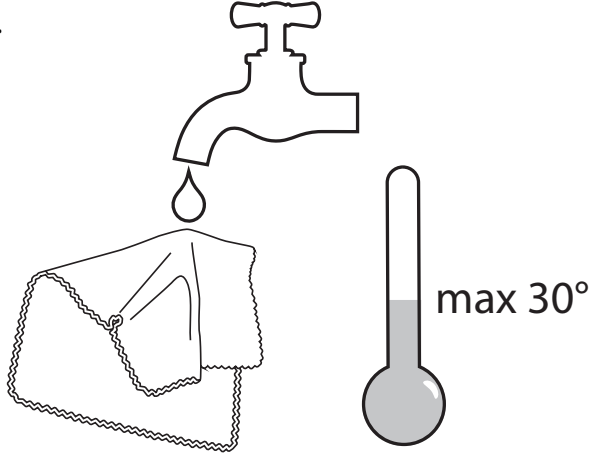
# 1.7



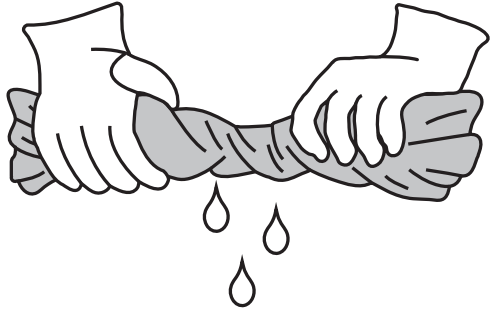
# 2



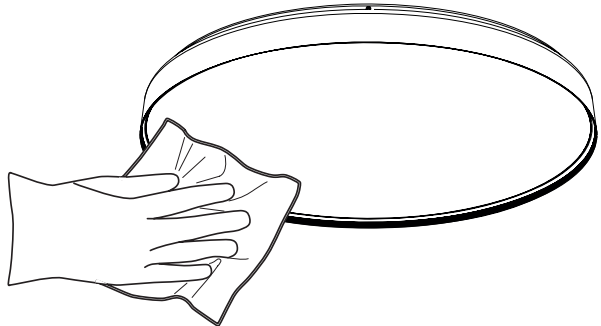
1.



2.



3.







[www.luceplan.com](http://www.luceplan.com)

D810IA102