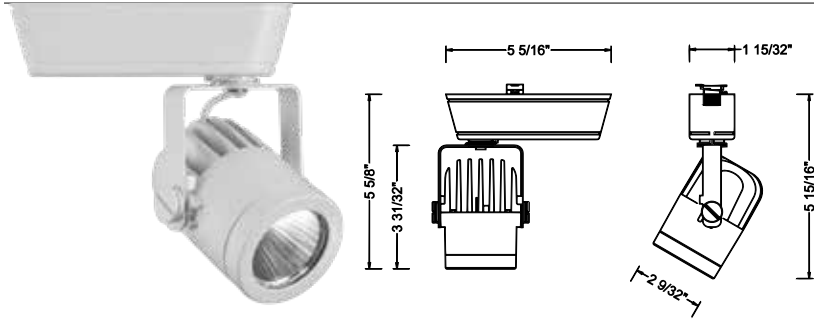


PRECISION - Model: LED160

LEDme® Track Luminaire

WAC LIGHTING

Responsible Lighting®



Fixture Type:

Catalog Number:

Project:

Location:

PRODUCT DESCRIPTION

LED160 track spot offers superior light output in a small, unobtrusive design. The high output LEDs outperform a 20W metal halide fixture at the size of a typical MR16 luminaire. Developed for upscale residential and commercial environments.

FEATURES

- Free of projected heat and UV and IR radiation
- Alternate beam angles may be ordered separately
- Replaceable LED modules
- Accommodates 1 lens or honeycomb
- 360° horizontal and -90°~+90° vertical aiming
- Lockable vertical aiming for precise adjustments
- 60,000 hour rated life
- 5 year WAC Lighting product warranty

SPECIFICATIONS

Construction: Die-cast aluminum with removable lens cap for easy change of lenses or accessories

Finish: Black (BK) and White (WT) powder coat paint.

Driver: Input voltage: 120V AC 50/60Hz.

Light Source: High-Output LED.

Dimming: Dimmable to 10% with electronic low voltage (ELV) dimmer and triac dimmer.

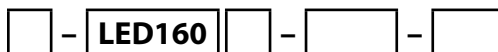
Standards: ETL & cETL Listed.

FIXTURE PERFORMANCE

Model #	Beam	Voltage	Color Temp	Power	Lumens	Efficacy	CRI
LED160S-27	20°	120V	2700K	14W	1210	87 Lm/W	85
LED160F-27	40°				1200	86 Lm/W	
LED160S-927	20°	120V	2700K	14W	1010	72 Lm/W	90
LED160F-927	40°				1000	72 Lm/W	
LED160S-30	20°	120V	3000K	14W	1260	90 Lm/W	85
LED160F-30	40°				1250	89 Lm/W	
LED160S-930	20°	120V	3000K	14W	1050	75 Lm/W	90
LED160F-930	40°				1035	74 Lm/W	
LED160S-35	20°	120V	3500K	14W	1300	93 Lm/W	85
LED160F-35	40°				1285	92 Lm/W	
LED160S-40	20°	120V	4000K	14W	1310	94 Lm/W	85
LED160F-40	40°				1300	93 Lm/W	

ORDER NUMBER

Track System	Model	Watt	Beam	Color Temp	CRI	Finish
H H Track L L Track J J/J2 Track	LED160	15W	S 20°	27 2700K	85	BK Black WT White
				927 2700K	90	
			F 40°	30 3000K	85	
				930 3000K	90	
			35 3500K	85		
			40 4000K	85		



Example: **J-LED160S-27-WT**

FINISHES



REPLACEMENT MODULE

BXRC-27E1000-D-73	2700K	85 CRI
BXRC-27G1000-D-73	2700K	90 CRI
BXRC-30E1000-D-73	3000K	85 CRI
BXRC-30G1000-D-73	3000K	90 CRI
BXRC-35E1000-D-73	3500K	85 CRI
BXRC-10E1000-D-73	4000K	85 CRI

INTERCHANGABLE OPTICS

RF-S	20°
RF-F	40°

LENSES & ACCESSORIES

Model	Color	Model	Finish
LENS-16 Color Lens	AMB Amber	FR Frosted Lens SPR Spread Lens BEL Beam Elongating Lens HCL Honey Comb Louver	
	BLU Blue		
	GRN Green		
	RED Red		
	YEL Yellow		

WAC Lighting

www.waclighting.com

Phone (800) 526.2588 • Fax (800) 526.2585

Headquarters/Eastern Distribution Center

44 Harbor Park Drive • Port Washington, NY 11050

Phone (516) 515.5000 • Fax (516) 515.5050

Western Distribution Center

1750 Archibald Avenue • Ontario, CA 91760

Phone (800) 526.2588 • Fax (800) 526.2585