

## VL45 RADIOHUS PENDANT

Designed by Vilhelm Lauritzen



### Description

The fixture provides uniform, general and diffuse illumination. The opening at the bottom of the glass produces downwards directed light. The quality of the glass ensures that the fixture is evenly lit.

### Variants

VARIANT NUMBER	COLOR, RAL	W / H / L (IN) / W (LB)
10000149831	GLOSSY WHT OPAL GLASS, 982	14.6 / 17.6 / 14.6 IN / 11.4 LB
10000149832	GLOSSY WHT OPAL GLASS, 982	14.6 / 17.6 / 14.6 IN / 11.4 LB
10000149833	GLOSSY WHT OPAL GLASS, 982	14.6 / 17.6 / 14.6 IN / 11.4 LB
10000149834	GLOSSY WHT OPAL GLASS, 982	14.6 / 17.6 / 14.6 IN / 11.4 LB
5741925326	GLOSSY WHT OPAL GLASS, 982	6.8 / 9.7 / 6.8 IN / 3.1 LB
5741928527	GLOSSY WHT OPAL GLASS, 982	14.6 / 17.6 / 14.6 IN / 9.0 LB
5741928530	GLOSSY WHT OPAL GLASS, 982	9.8 / 12.9 / 9.8 IN / 4.5 LB

### Materials & Finishes

#### MATERIALS

Shade: Hand blown polished white opal glass. Pendant fitting: Untreated brushed brass, will patinate.

#### FINISHES

# louis poulsen

Glossy white opal glass. Brushed brass, untreated.

## Mounting

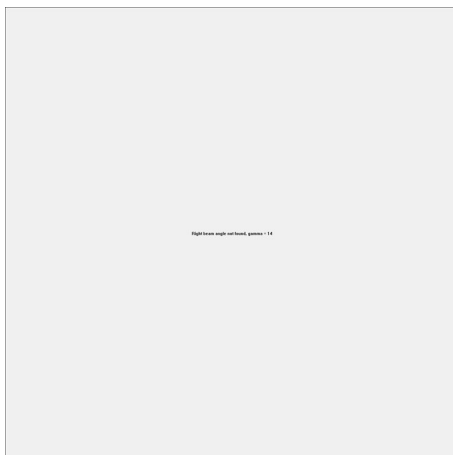
Canopy: White. Cord type: 2-conductor, 18 AWG white braided fabric covered power cord. Cord length: 12'. For mounting instructions, see download section on the product detail page.

## Information

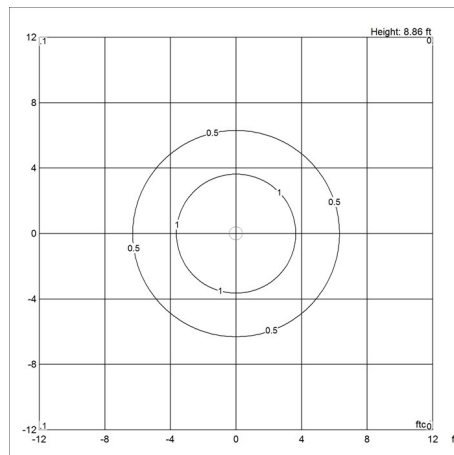
Electrical:  
System Wattage: 10W - 44W  
LED Wattage: 9 W or 42 W  
Delivered lumens: 440 - 2,711  
Efficacy: 44.0 lm/W - 123.2 lm/W  
Certifications:  
cULus, Dry Location  
Protection class IP20  
Controllability: 0-10V Dimming (LED variants); Phase dimming (incandescent variants)  
Color Rendering:  $R_a \geq 90$  for LED variants.  
Performance dependent upon screw-base lamp used in socketed variants. For the E-socket product variants, bulbs are not included. LED light source is part of the product.

## Light distribution diagrams

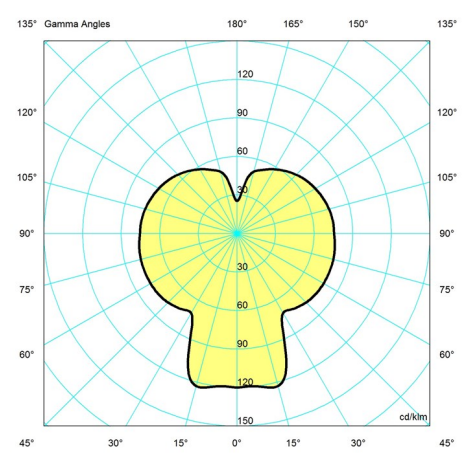
### CARTESIAN



### ISOLUX



### POLAR



## Variant Options

For particular variant options, please check our online Product Variants Configurator on the product detail page.

VARIANT NO.	LIGHT SOURCE	VOLTAGE/FRQ	LUMEN	FEATURES	CABLE
10000149831	LED 3000K	120V	3353	Dim 0-10v	White textile

# louis poulsen

10000149832	LED 3000K	120V	3353	Phase dimming (mains dimm)	White textile
10000149833	LED 3000-1600K D2W	120V	2763	Dim 0-10v	White textile
10000149834	LED 3000-1600K D2W	120V	2763	Phase dimming (mains dimm)	White textile
5741925326	G16.5/candelabra	120V	440	-	White textile
5741928527	A-21/medium	120V	2711	-	White textile
5741928530	A-21/medium	120V	926	-	White textile

---

## Specification Notes

- a. 6.9 IN available only in 10W/G16.5/candelabra.
  - b. 9.8 IN available only in 22W/A-21/medium.
  - c. 14.6 IN available in 22W/A-21/medium or 44W/LED.
  - d. Incandescent variants available only in 120V.
  - e. LED variants available with mains dimming at 120V or 0-10V dimming with 120-277V.
-