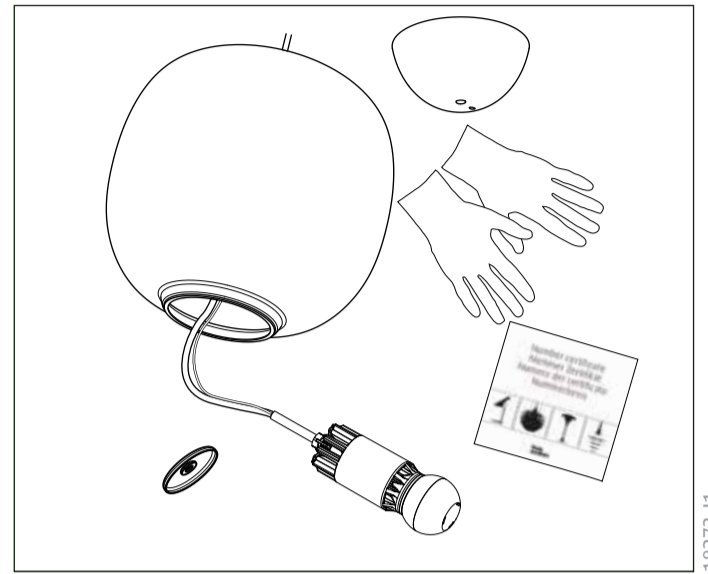
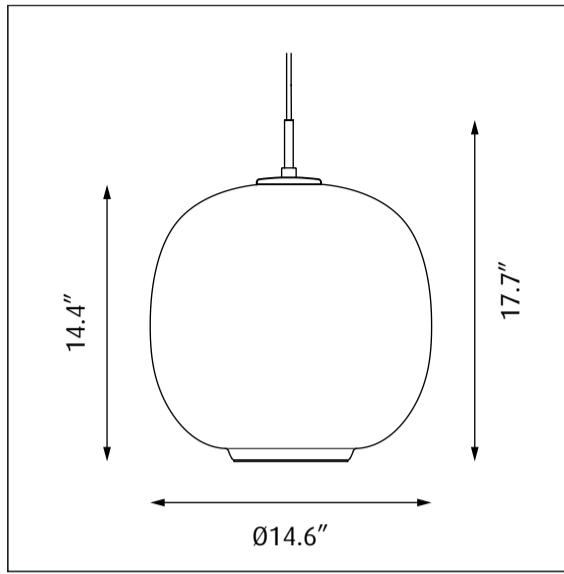


VL 45 LED

Design Vilhelm Lauritzen



18273-11

Light source	Voltage	Weight	Electric shock protection	Ingress protection
LED	120 V	Max 11.5 Lbs	Cl. I	IP 20

The luminaire may only be lifted/carried by the wire and never by the cable!

Recommended cleaning substances:

Wipe off dust with a dry, soft cloth.

Specifically for brass surfaces:

To maintain the shine and the light colour, clean with brass polish once or twice a year.

Follow the product instructions.

Mouth-blown glass in specific: Remove greasy spots etc. with a soft cloth dampened in lukewarm water (<50° C) with a mild detergent. Never use detergents containing abrasives and solvents. Must be cleaned in cold condition. All water must be evaporated before the lamp is lit again. The glassware in this luminaire is handcrafted. To ensure the intended lighting comfort, our glassware is blown. The process may generate air bubbles in the glass, just as its thickness may vary.

Warning: Scouring powder and similar substances will scratch surfaces.

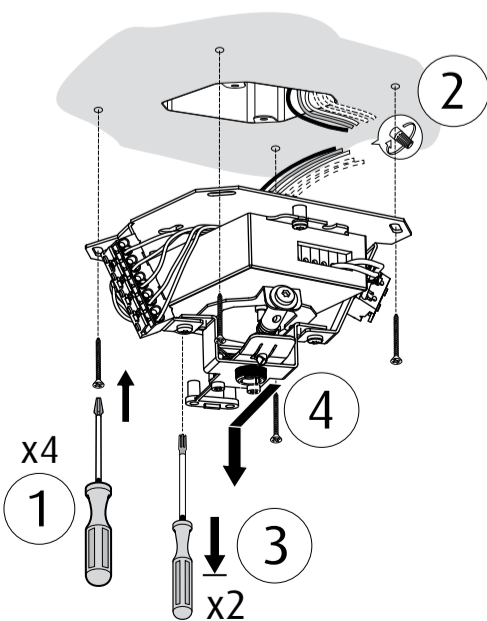
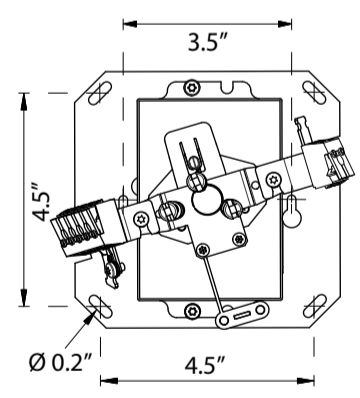
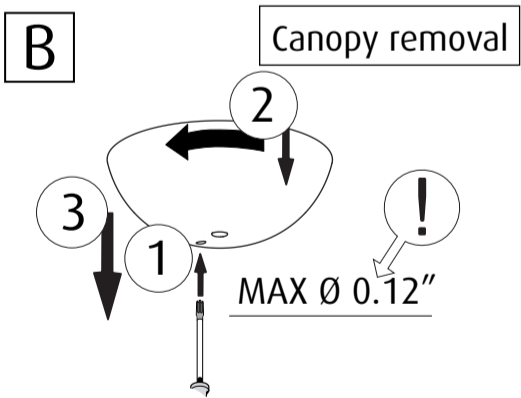
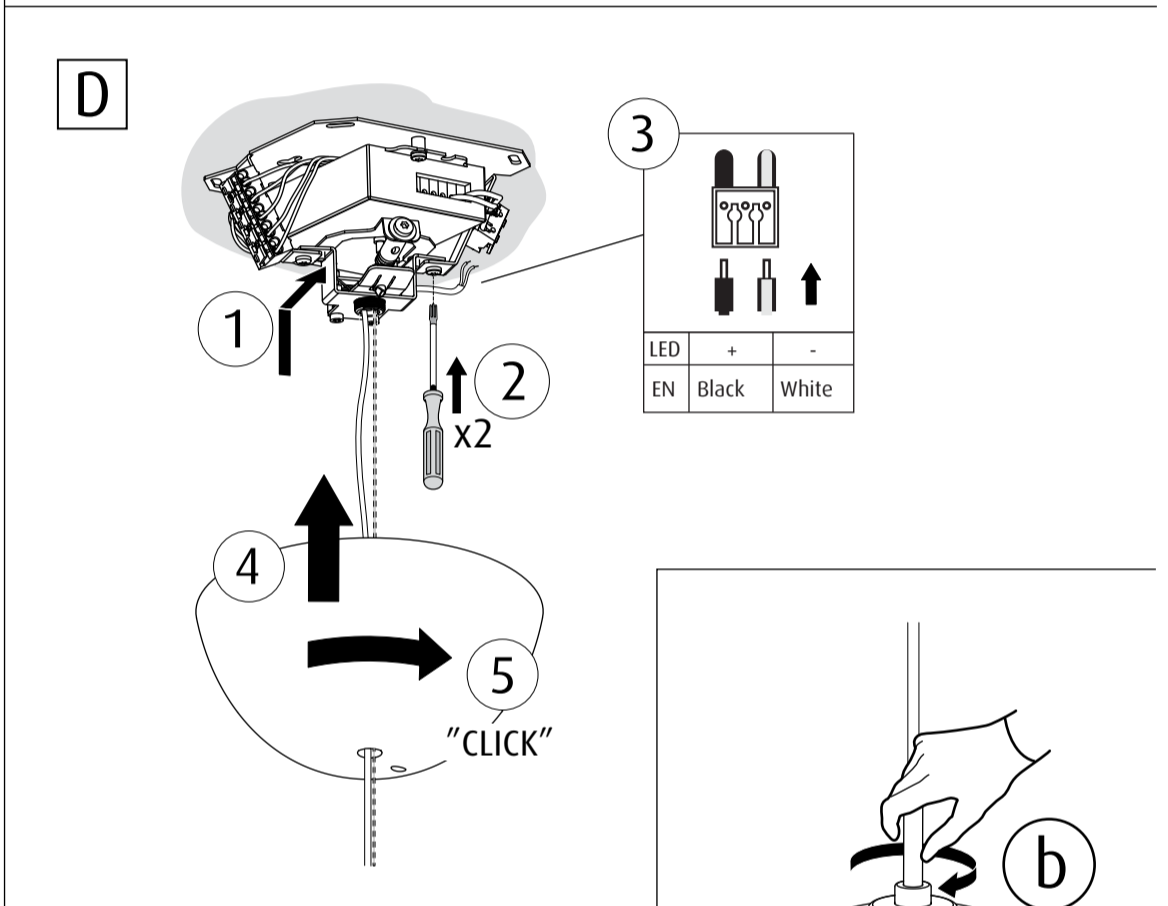
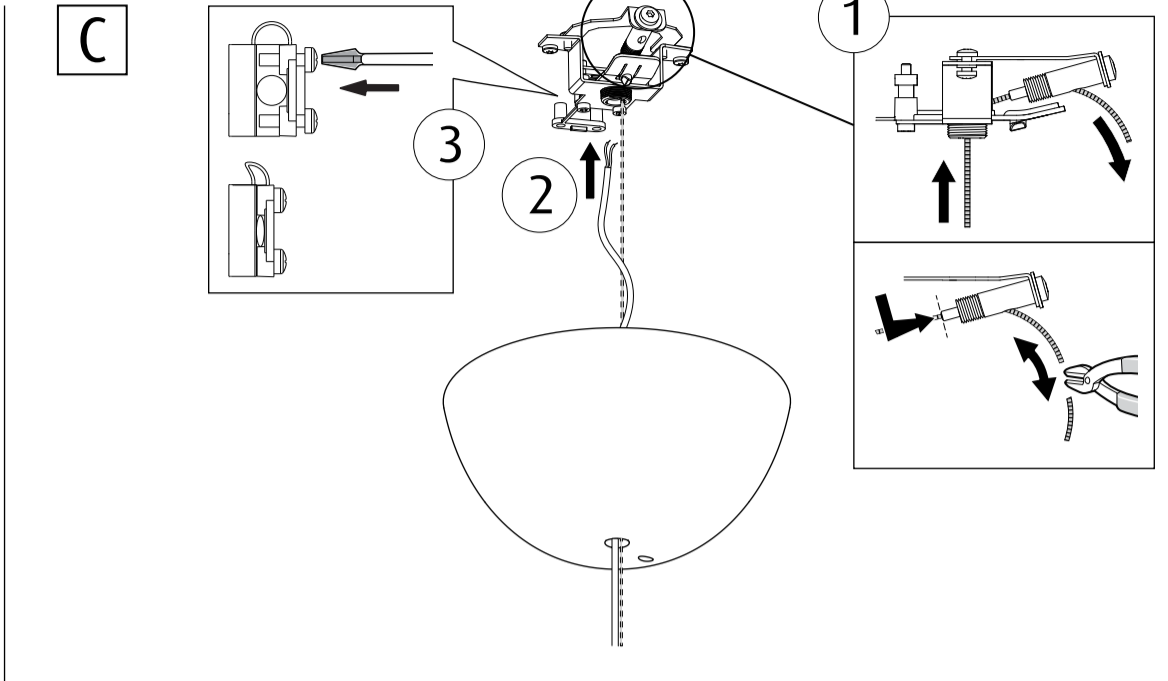
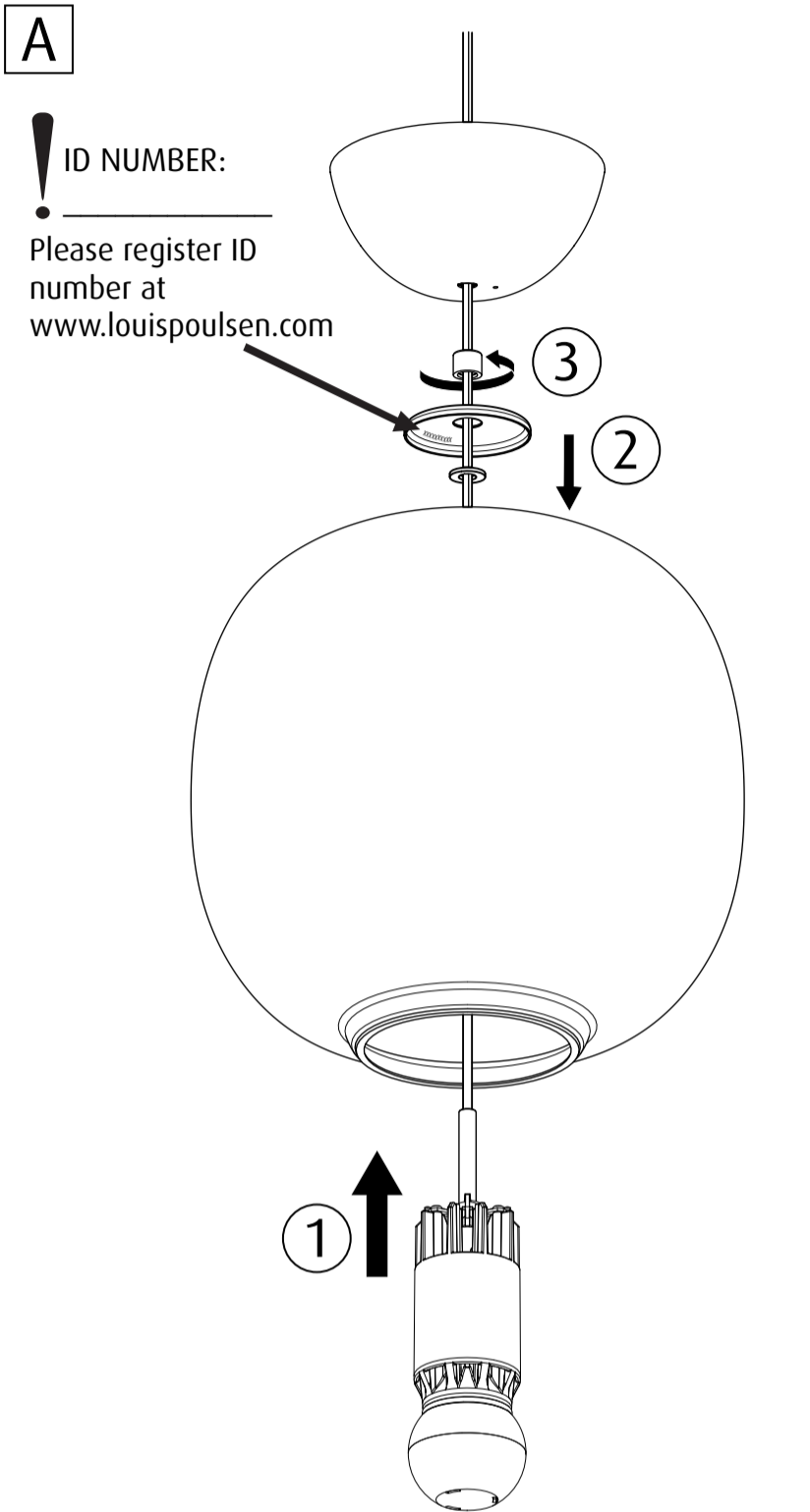
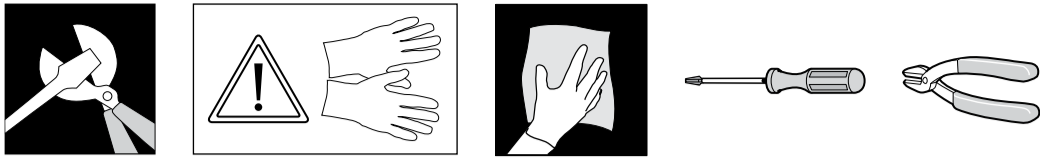
All installation is subject to local code and jurisdiction.

Consult a qualified electrician to ensure correct branch circuit conductor.

The installer must ensure that the ceiling can support the luminaire's weight. The installer must if necessary reinforce the ceiling structure by adequate means.



Due to possibility of personal injury or property damage, always contact a qualified electrician for servicing or repair of this fixture. To avoid risk of electrical shock, personal injury, or death, disconnect power to fixture before servicing.



- Green (Ground)
- White (Neutral)
- Black (Line)

For dimming wires use class 1 wiring methods:
 Grey (0-10V Dim -)
 Violet (0-10V Dim +)

0-10 Mains Dim

