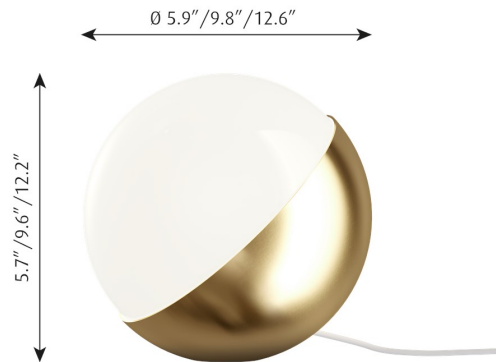


## VL STUDIO TABLE/FLOOR

Designed by Vilhelm Lauritzen



### Description

The fixture emits a diffused, glare-free light. The triple-layered opal glass provides a comfortable light distribution and radiates a pleasantly delicate glow to its surroundings.

### Variants

VARIANT NUMBER	COLOR, RAL	W / H / L (IN) / W (LB)
5744907875	BLACK	5.9 / 5.7 / 5.9 IN / 2.4 LB
5744907914	LACQUERED BRASS	5.9 / 5.7 / 5.9 IN / 2.9 LB
5744907956	BLACK	9.8 / 9.6 / 9.8 IN / 7.2 LB
5744907998	LACQUERED BRASS	9.8 / 9.6 / 9.8 IN / 8.4 LB
5744908078	BLACK	12.6 / 12.2 / 12.6 IN / 14.7 LB
5744908120	LACQUERED BRASS	12.6 / 12.2 / 12.6 IN / 17.4 LB

### Materials & Finishes

#### MATERIALS

Glass: Hand-blown, opal, triple-layered, glossy.  
Housing: Deep-drawn aluminum or brass.

#### FINISHES

Matte-black, wet-painted; or brushed brass with fine hairlines. White opal glass, glossy.  
Clear-lacquered brass.

## Mounting

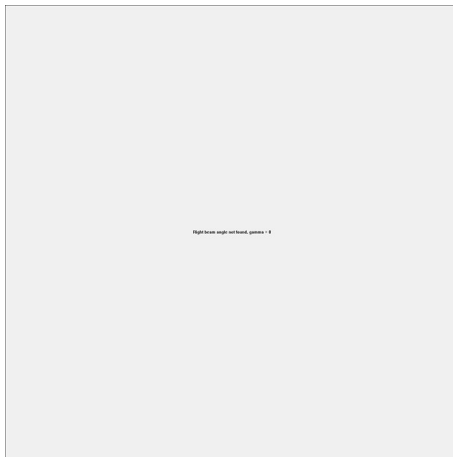
Cable type: Black for black version and white on brass versions.  
 Cable length: 8.2 ft. In-line switch.  
 Ø150: On/off switch on cable.  
 Ø250 and Ø320: Electronic dimmer switch (requires dimmable lamp).  
 Glass shade can be removed to change the lamp. For mounting instructions, see download section on the product detail page.

## Information

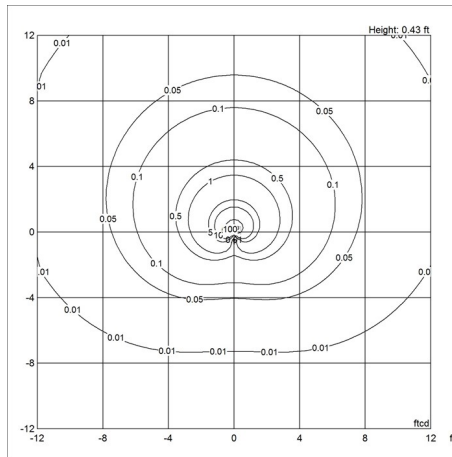
The untreated brass will change over time and develop a patina. For the E-socket product variants, bulbs are not included. LED light source is part of the product.

## Light distribution diagrams

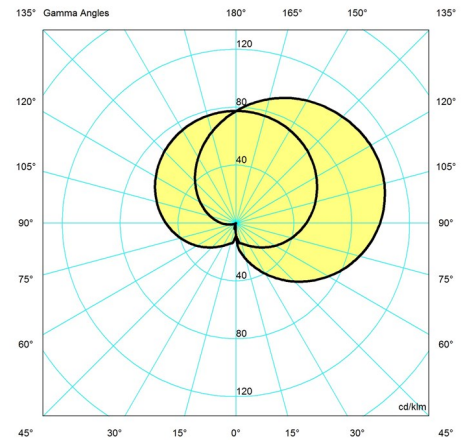
### CARTESIAN



### ISOLUX



### POLAR



## Variant Options

For particular variant options, please check our online Product Variants Configurator on the product detail page.

VARIANT NO.	LIGHT SOURCE	VOLTAGE/FRQ	LUMEN	FEATURES	CABLE
5744907875	30W G9	120V	166	-	Blk
5744907914	30W G9	120V	166	-	Wht
5744907956			657	-	Blk
5744907998	A-19/medium	120V	657	-	Wht
5744908078	A-19/medium	120V	767	-	Blk
5744908120	A-19/medium	120V	767	-	Wht