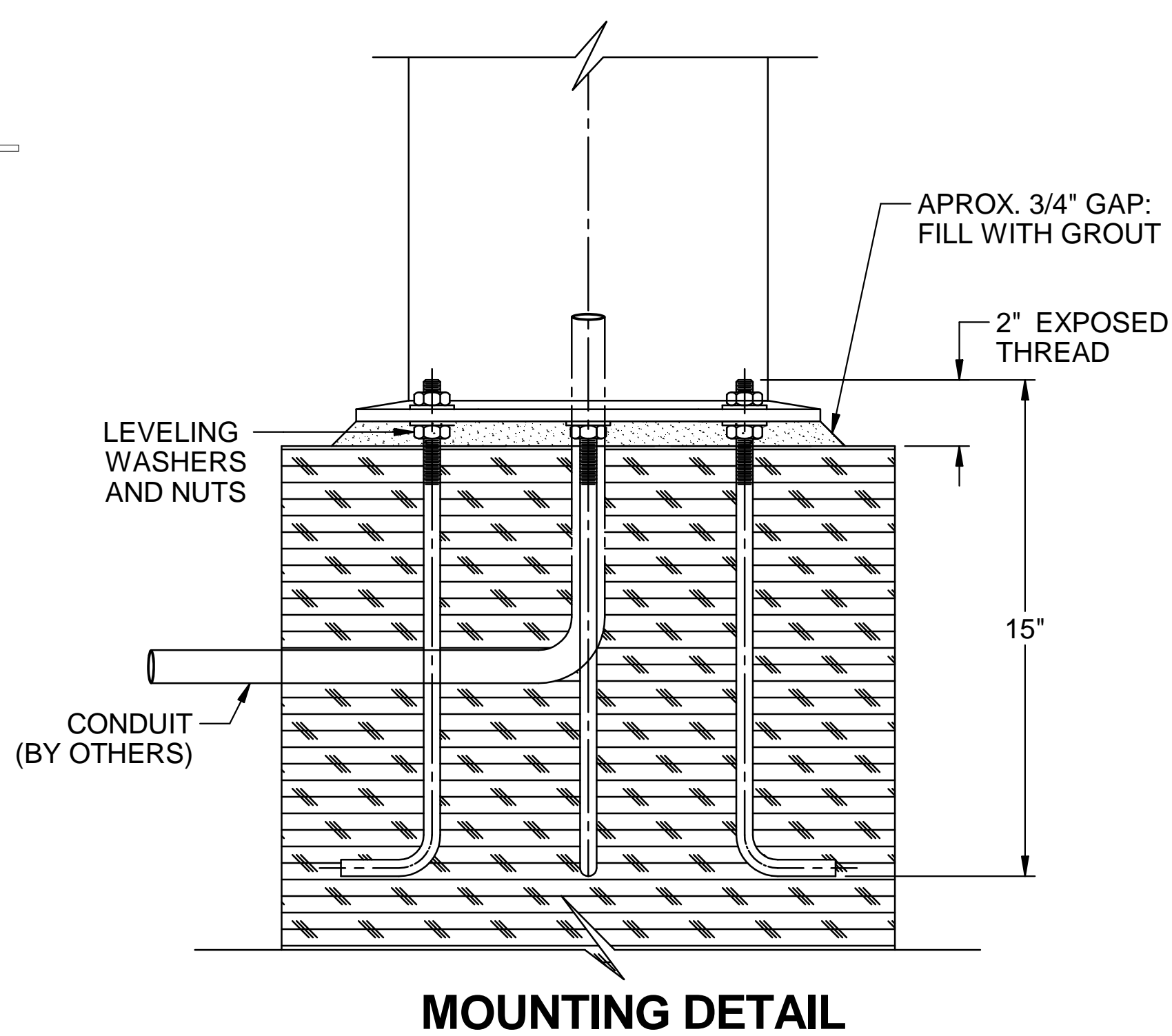
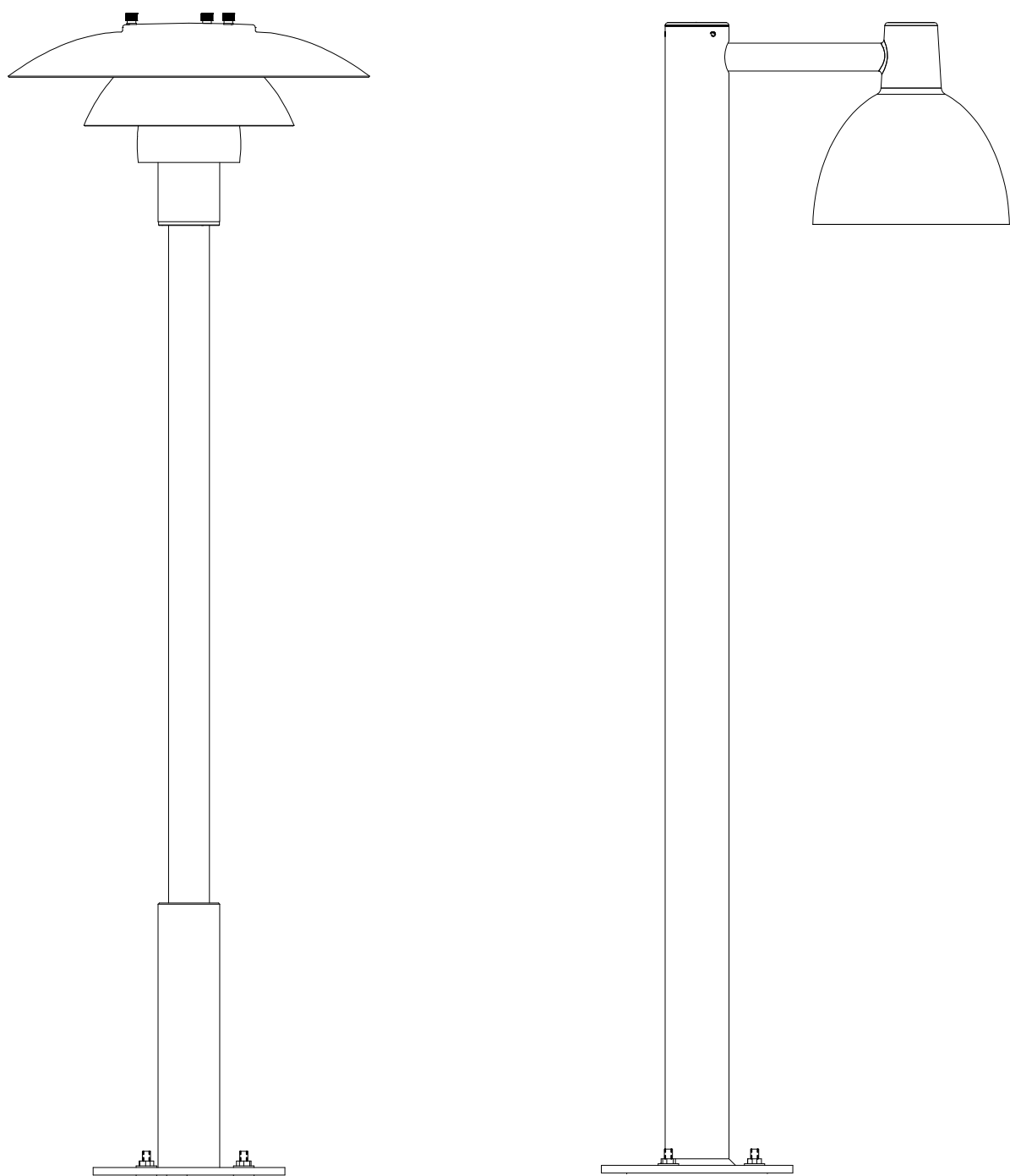
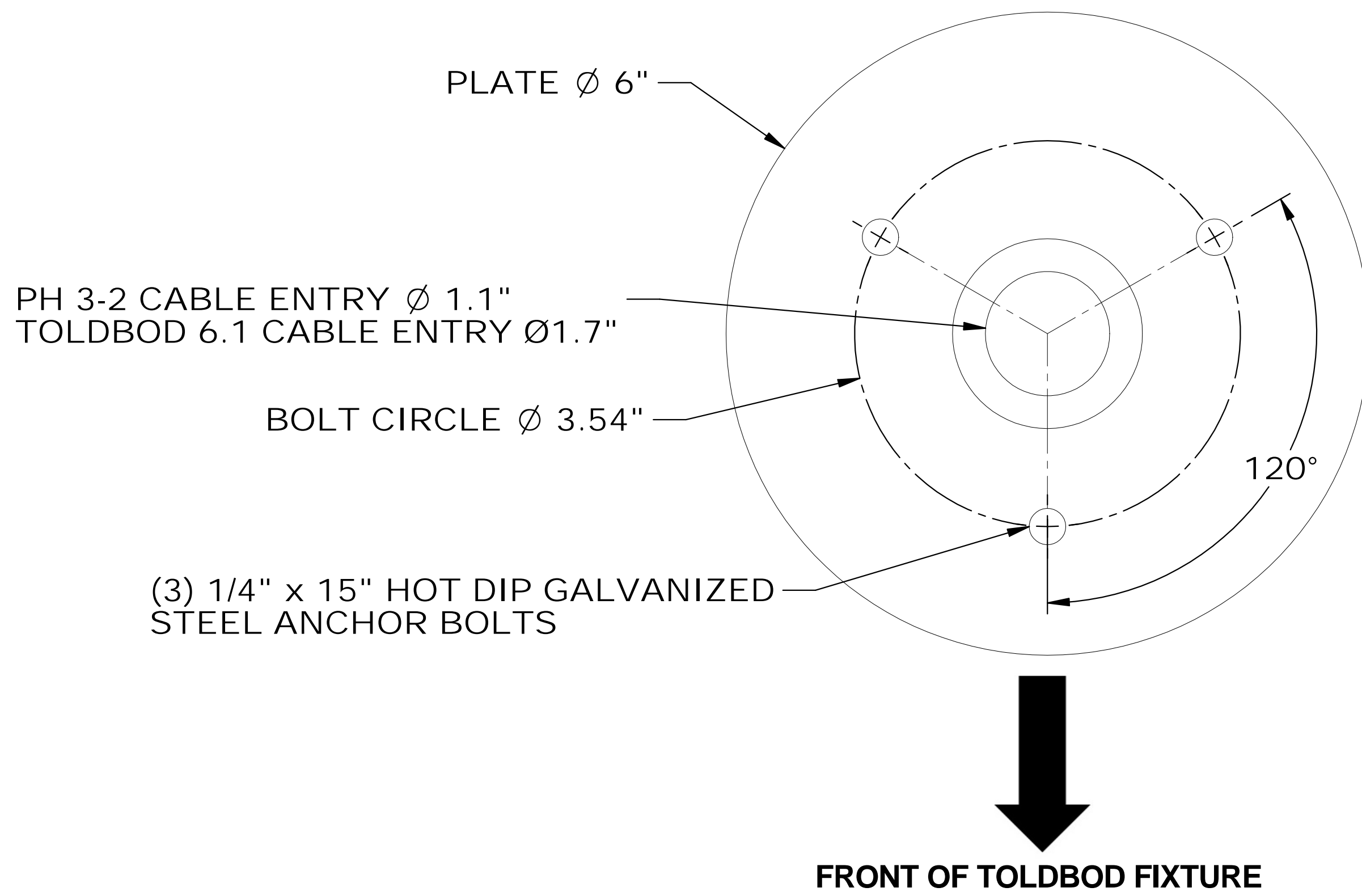


# MOUNTING INSTRUCTIONS

## PH 3-2½ + TOLDBOD 6.1 BOLLARDS

Read all instructions before installation.



**NOTE:**

1. FAXIMILE TRANSMISSION DISTORTS SCALE DO NOT USE FAXED PRINTS AS TEMPLATES
2. VERIFY BOLT PATTERN IS 1:1 AS SCALE MAY DISTORT IN PRINTING PROCESS
3. MOUNTING DETAIL NOT TO SCALE

