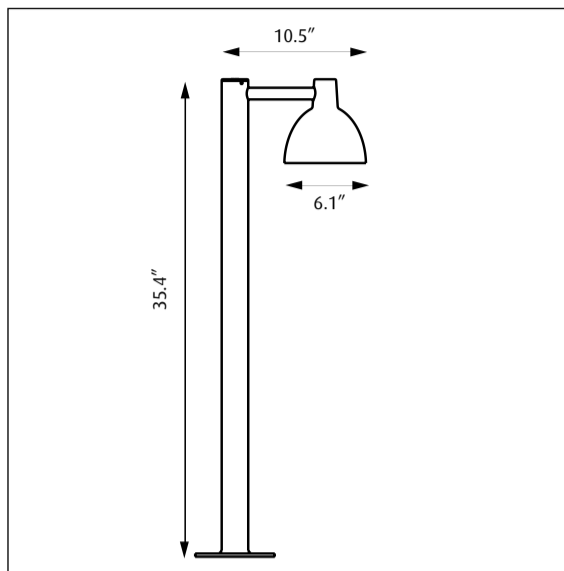



Toldbod Bollard

Design Louis Poulsen A/S



51593-11

Light source	Voltage/frequency	Weight	Electric shock protection	Ingress protection	Impact protection
1x40W/G16.5/ IF candelabra 	120-277V	4.4 Lbs	Cl. I, Wet location	IP44, Grounded	IK05

Recommended cleaning substances:

Wipe off dust with a dry, soft cloth. Remove greasy spots etc. with a soft cloth dampened in lukewarm water (<122° F/ 50° C) with a mild detergent. Never use detergents containing abrasives and solvents.

Warning: Scouring powder and similar substances will scratch surfaces.

All installation is subject to local code and jurisdiction. Consult a qualified electrician to ensure correct branch circuit conductor.

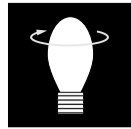
The installer must ensure that the foundation is stable and can support the luminaire's weight. The Installer must use proper means to secure the luminaire to the ground.



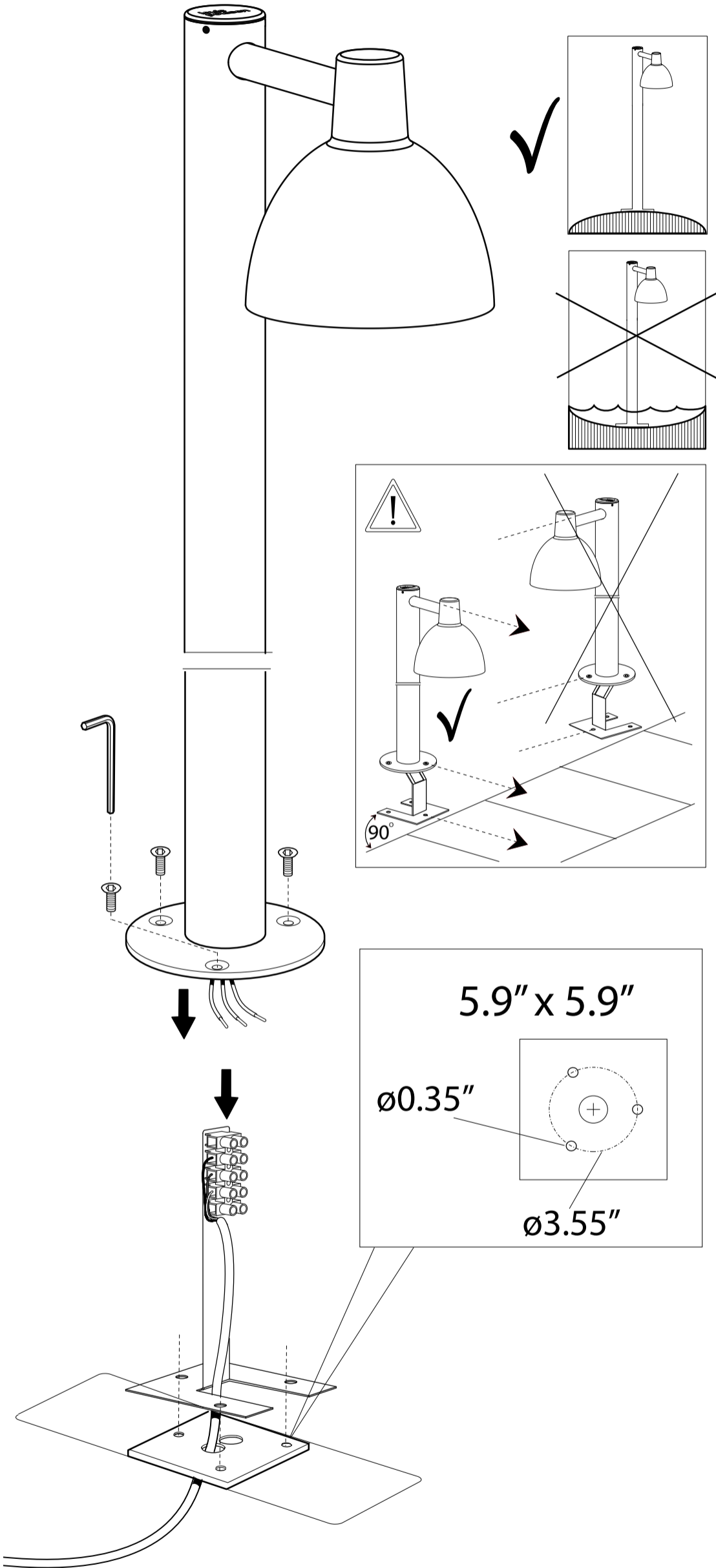
Louis Poulsen A/S disclaims any liability if a half mirror light bulb is used. This type of light source reflects the heat and may damage/melt parts of the fixture.



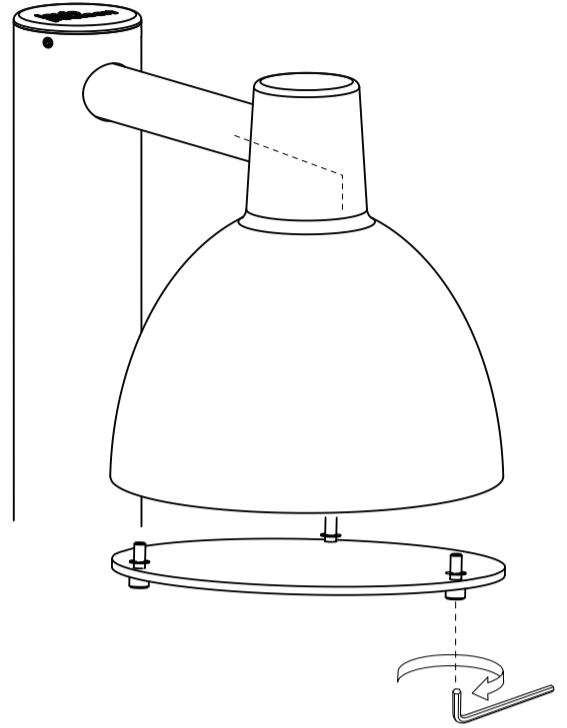
3 mm
5 mm



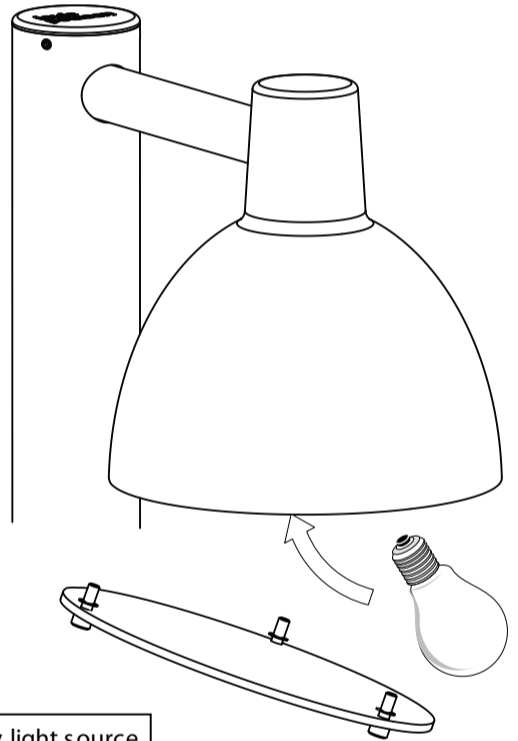
51593-I1



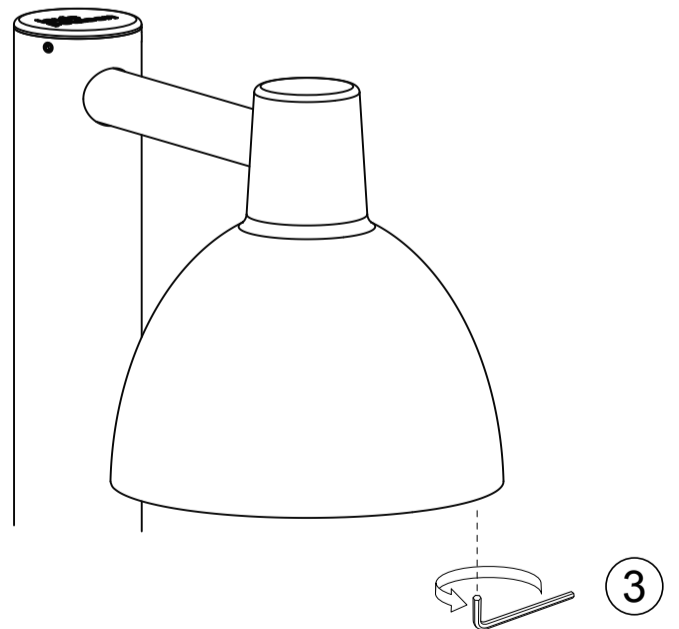
1



2



 Use only light source in accordance to the lamp Replacement label on the luminaire



3