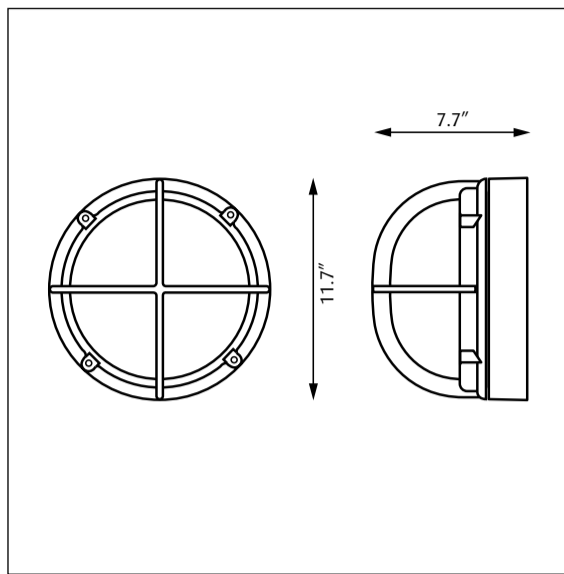


Skot LED Symmetrical

Design LK as



39028-12

Light source	Voltage/frequency	Weight	Electric shock protection	Ingress protection	Impact protection
LED	120-277V	5.5 Lbs	Cl. I	IP66	IK10

Recommended cleaning substances:

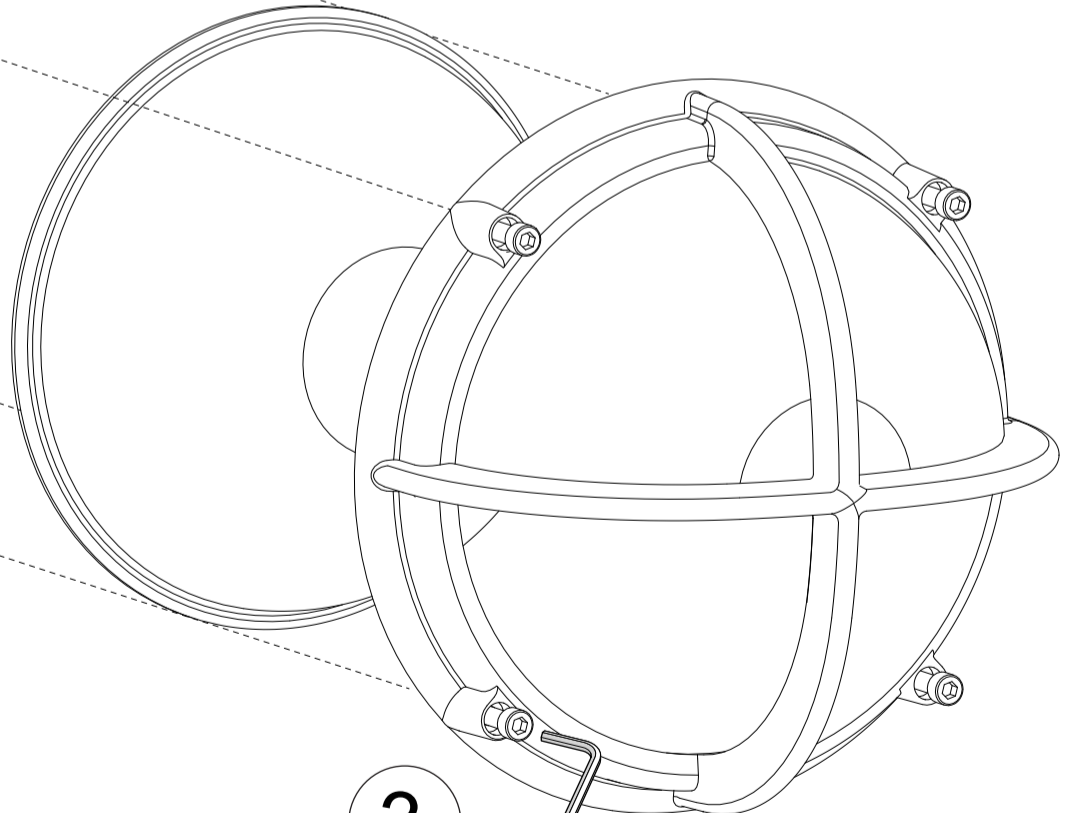
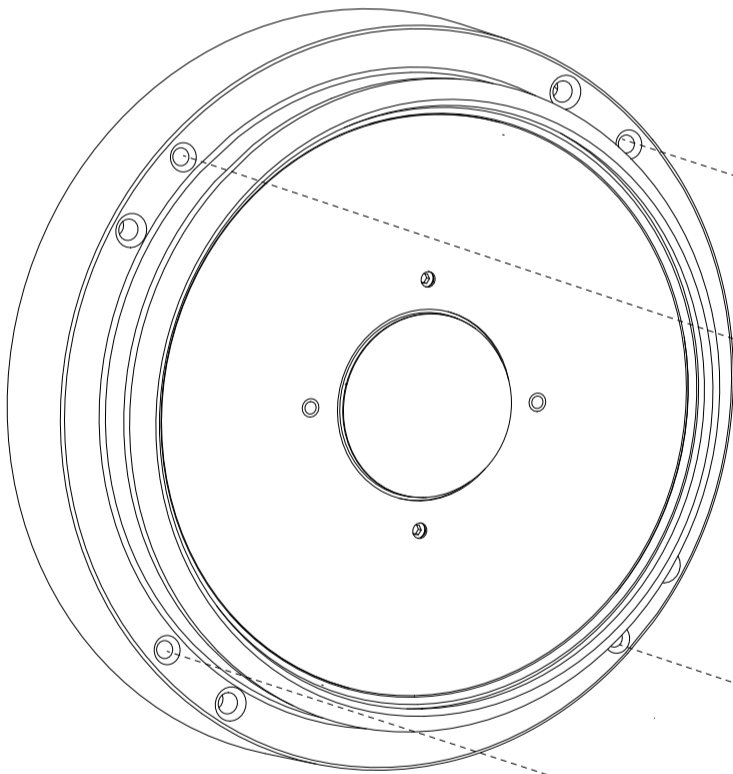
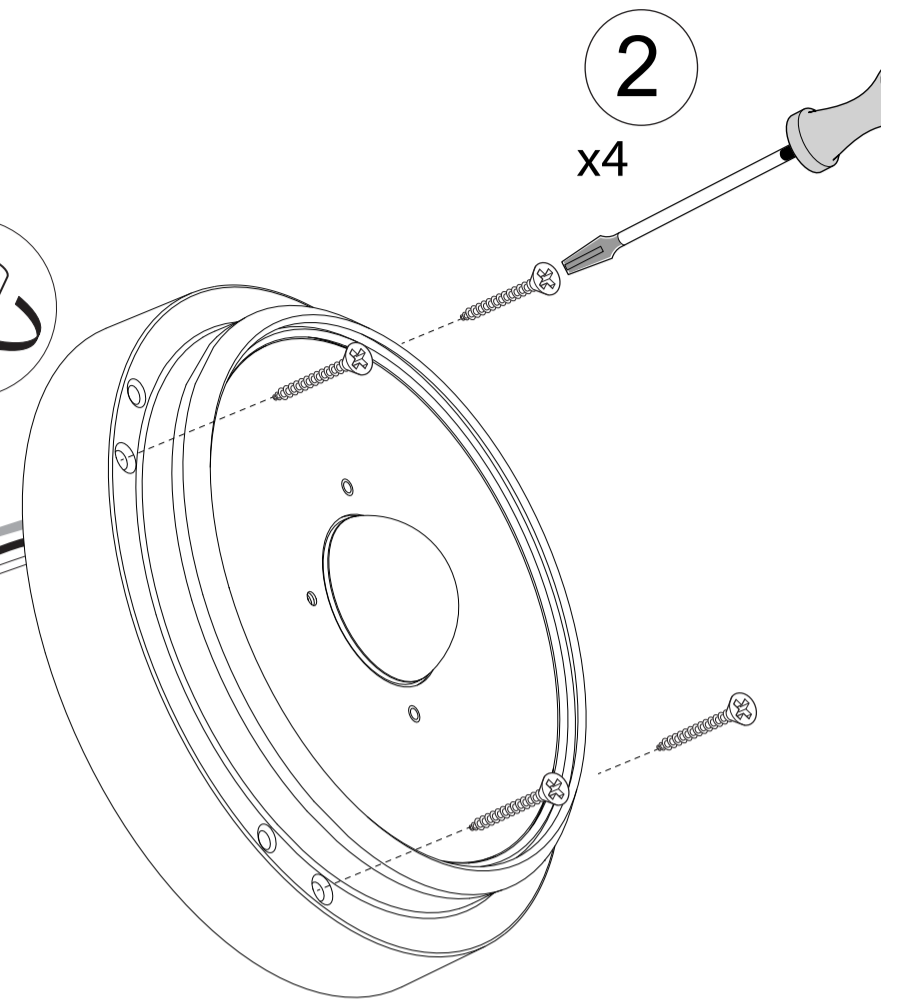
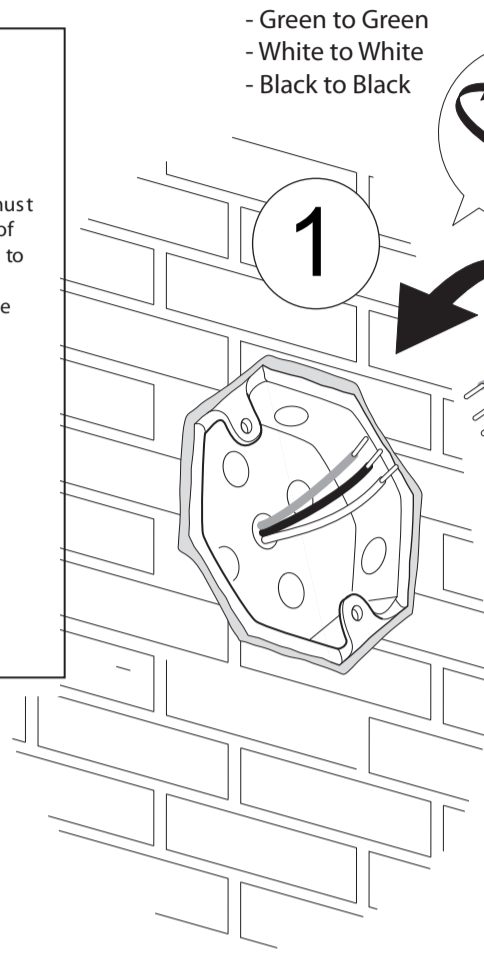
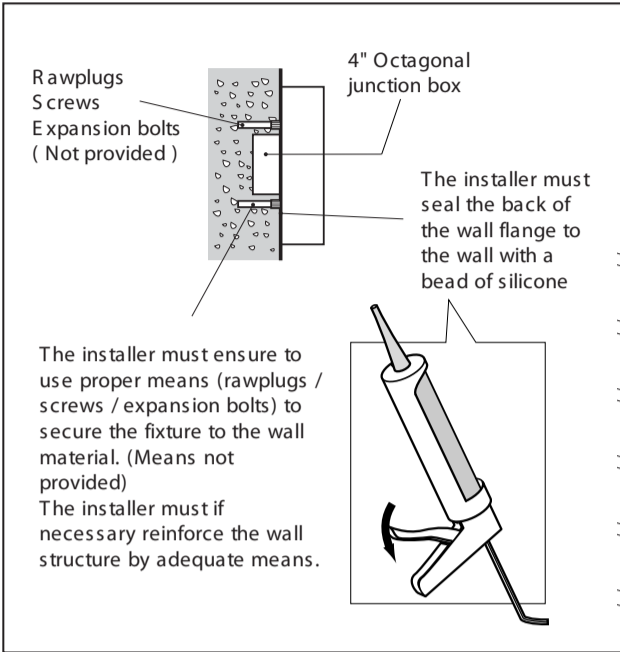
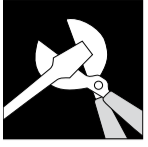
Wipe off dust with a dry, soft cloth. Remove greasy spots etc. with a soft cloth dampened in lukewarm water (<122° F/ 50° C) with a mild detergent. Never use detergents containing abrasives and solvents.

Warning: Scouring powder and similar substances will scratch surfaces.

All installation is subject to local code and jurisdiction. Consult a qualified electrician to ensure correct branch circuit conductor.



Due to possibility of personal injury or property damage, always contact a qualified electrician for servicing or repair of this fixture. To avoid risk of electrical shock, personal injury, or death, disconnect power to fixture before servicing.



3
x4