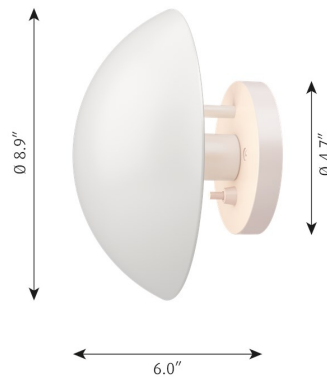


PH HAT

Designed by Poul Henningsen



Description

The fixture emits indirect 100% glare-free light. The light distribution depends on the angle of the shade. The shade is rose colored on the inside, giving the light a warm tone.

Variants

VARIANT NUMBER	COLOR, RAL	W / H / L (IN) / W (LB)
5743914940	WHT, 015	8.7 / 8.7 / 6 IN / 3.6 LB

Materials & Finishes

MATERIALS

Shade: Spun steel. Wall box: Spun steel.

FINISHES

The outer shade is white, wet-painted. The inner shade is rose-colored, wet-painted.

Mounting

Surface: Mounted directly to a 4" octagonal junction-box. For mounting instructions, see download section on the product detail page.

louis poulsen

Information

Electrical:

System Wattage: 10W

Delivered lumens: 174 lm

Efficacy: 17.4 lm/W

Certifications:

cULus, Dry Location

Protection class IP20

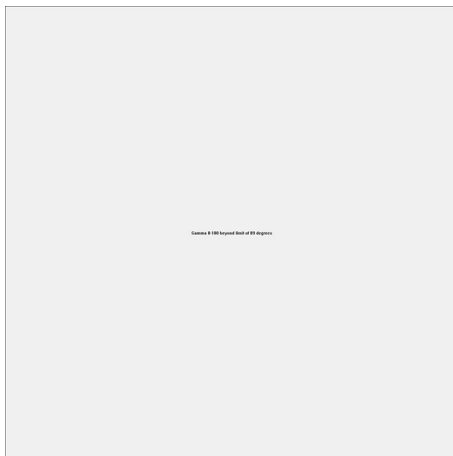
Controllability: Phase Dimming

Color Rendering: Ra \geq 90

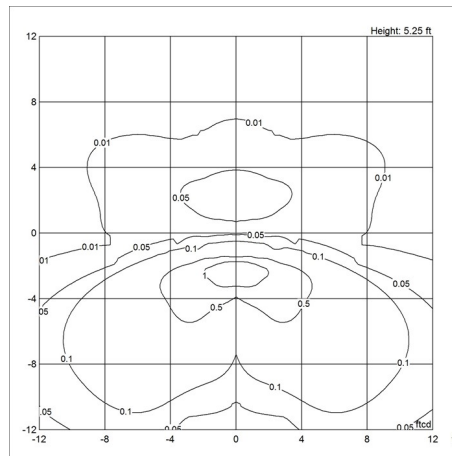
Actual performance dependent upon screw-base lamp used. For the E-socket product variants, bulbs are not included. LED light source is part of the product.

Light distribution diagrams

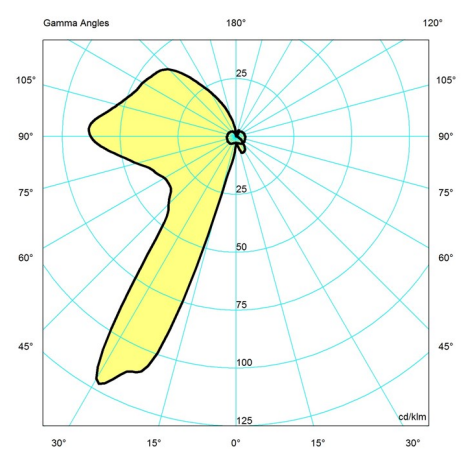
CARTESIAN



ISOLUX



POLAR



Variant Options

For particular variant options, please check our online Product Variants Configurator on the product detail page.

VARIANT NO.	LIGHT SOURCE	VOLTAGE/FRQ	LUMEN	FEATURES	CABLE
5743914940	E12		174	-	Without cord