

PH 4/3 TABLE

Designed by Poul Henningsen



Description

The fixture is designed based on the principle of a reflective three-shade system, which directs the majority of the light downwards. The shades are made of metal and painted white to ensure a diffused, comfortable light distribution.

Variants

VARIANT NUMBER	COLOR, RAL	W / H / L (IN) / W (LB)
5744904522	WHITE CLASSIC MATTE, 020	17.7 / 21.6 / 17.7 IN / 6.5 LB

Materials & Finishes

MATERIALS

Base: High lustre chrome plated, spun brass. Shades: Spun aluminum. Stem: High lustre chrome plated, steel. Triangular piece: Black, injection molded bakelite.

FINISHES

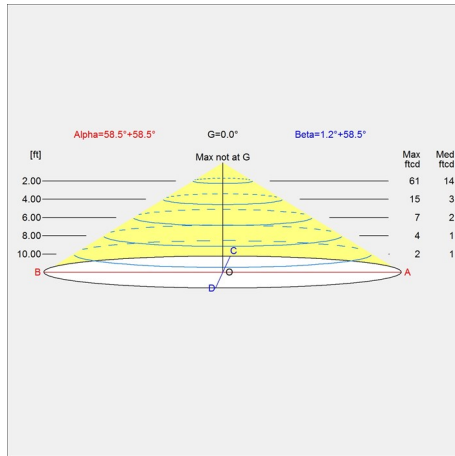
White, powder coated. High lustre chrome plated.

Mounting

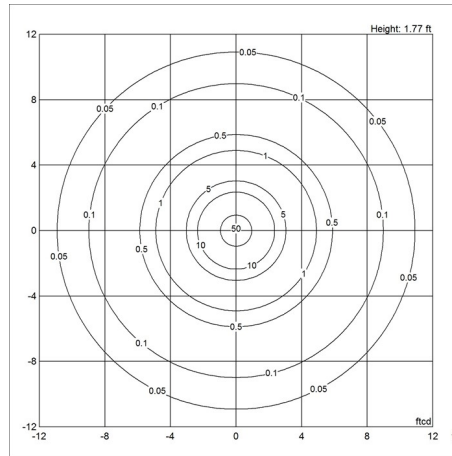
Cord type: Black. Cord length: 8'. Switch: In-line on/off switch provided. For mounting instructions, see download section on the product detail page.

Light distribution diagrams

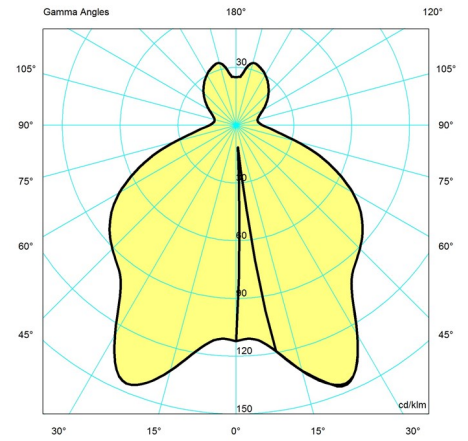
CARTESIAN



ISOLUX



POLAR



Variant Options

For particular variant options, please check our online Product Variants Configurator on the product detail page.

VARIANT NO.	LIGHT SOURCE	VOLTAGE/FRQ	LUMEN	FEATURES	CABLE
5744904522	A-19/medium	120V	964	-	-