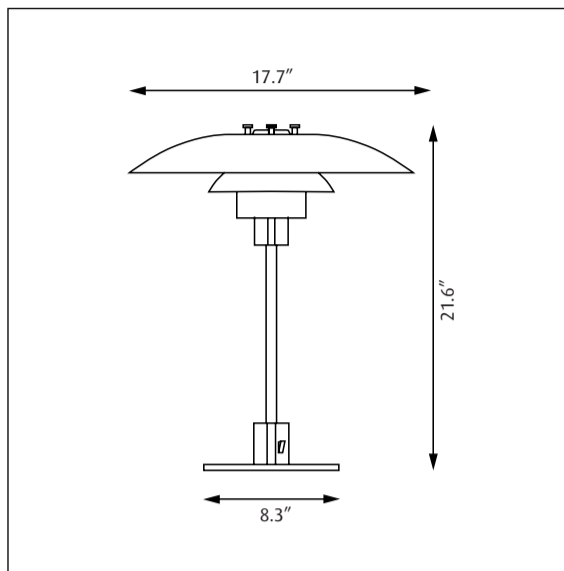



# PH 4/3 table

Design Poul Henningsen



23650-11

Light source	Voltage	Weight	Electric shock protection	Ingress protection
<b>1/15W LED/A-19/ medium</b> 	<b>120V</b>	<b>5 Lbs</b>	<b>Cl. I</b>	<b>IP 20</b>

**Recommended cleaning substances:**

Wipe off dust with a dry, soft cloth. Remove greasy spots etc. with a soft cloth dampened in lukewarm water (<122° F/ 50° C) with a mild detergent. Never use detergents containing abrasives and solvents.

Warning: Scouring powder and similar substances will scratch surfaces.

All installation is subject to local code and jurisdiction.



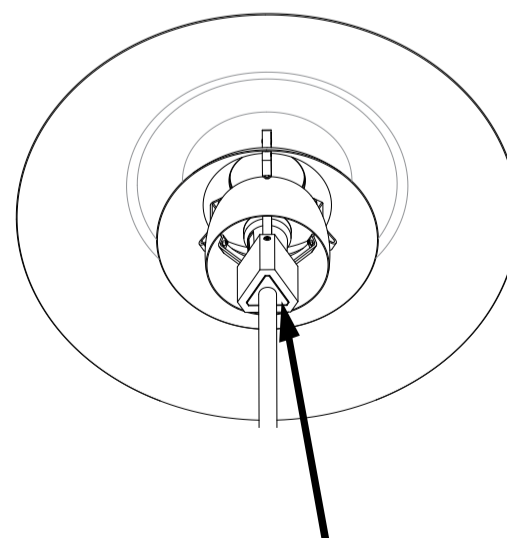
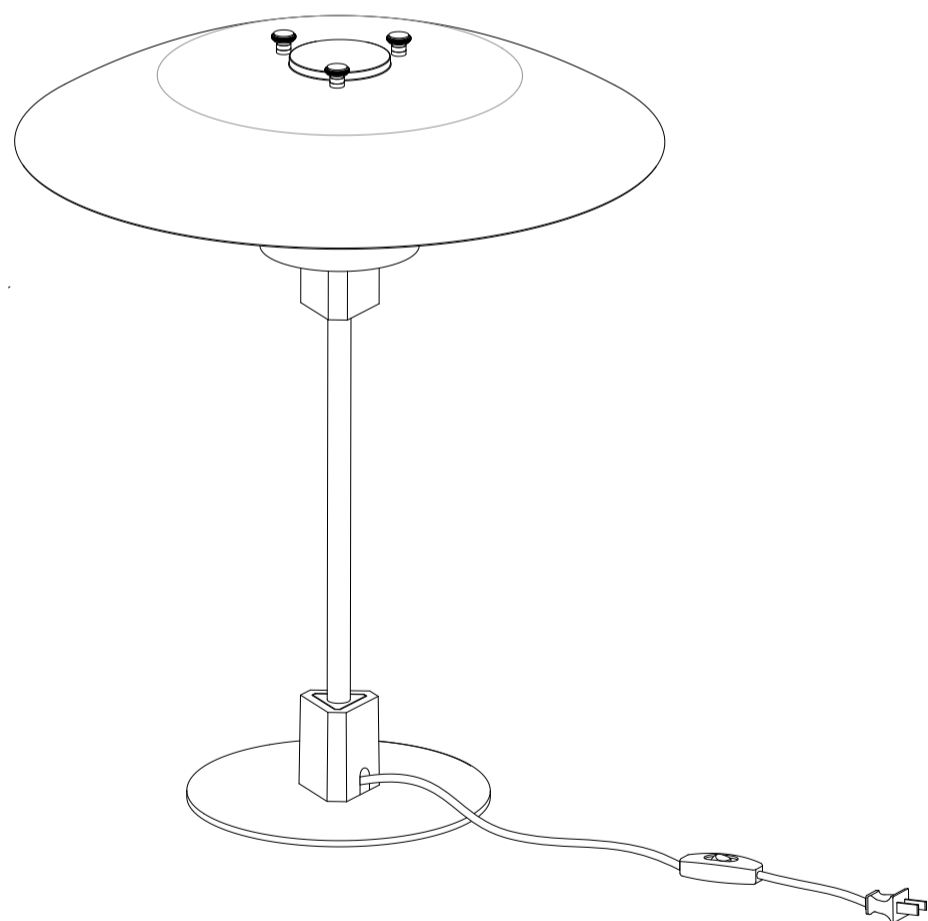
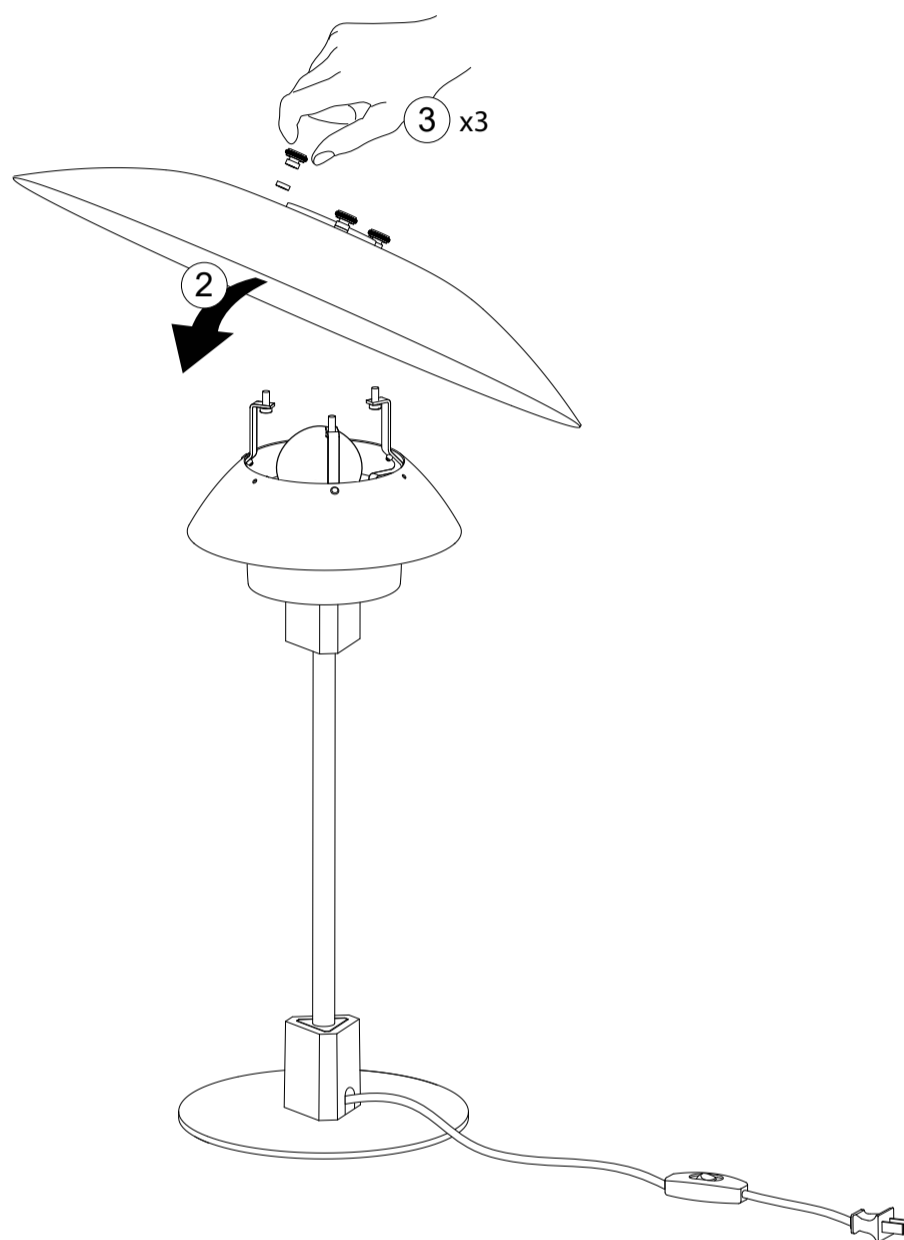
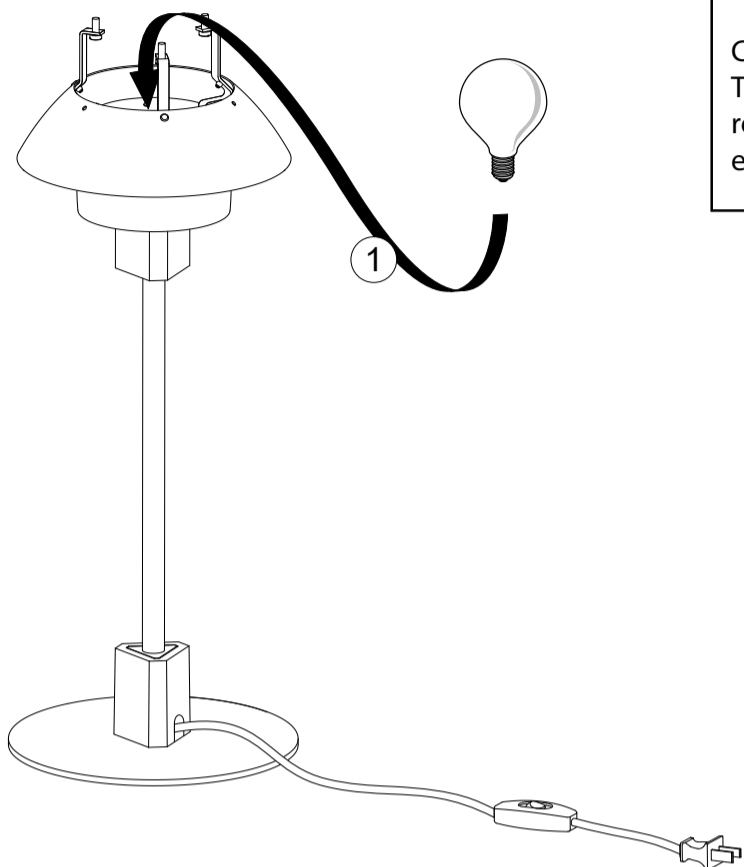
Louis Poulsen A/S disclaims any liability if a half mirror light bulb is used. This type of light source reflects the heat and may damage/melt parts of the fixture.

**IMPORTANT SAFETY INSTRUCTIONS:**

This portable lamp has a polarized plug (one blade is wider than the other). As a Safety feature, this plug will fit in a polarized outlet only one way. If the plug does not fit fully in the outlet, reverse the plug. If it still does not fit, contact a qualified electrician. Never use with an extension cord unless the plug can be fully inserted. Do not attempt to defeat safety feature.

**CAUTION:**

To prevent electric shock do not use this (polarized) plug with an extension cord, receptacle or other outlet unless the blades can be fully inserted to prevent blade exposure.



! ID NUMBER: \_\_\_\_\_  
Please register ID number at  
[www.louispoulsen.com](http://www.louispoulsen.com)