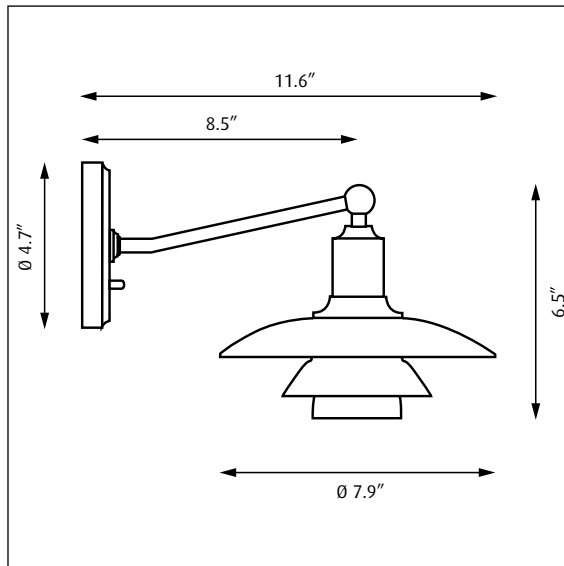


# PH 2/1 wall

Design Poul Henningsen



37116-11

Light source	Voltage	Weight	Ingress protection
<b>Max 20W Type G16½</b>	<b>120V/60Hz</b>	<b>3.3 Lbs</b>	<b>Dry location</b>

**Recommended cleaning substances:**

Wipe off dust with a dry, soft cloth. Remove greasy spots etc. with a soft cloth dampened in lukewarm water (<122° F/ 50° C) with a mild detergent.

Never use detergents containing abrasives and solvents.

Mouth-blown glass in specific: Must be cleaned in cold condition. All water must be evaporated before the lamp is lit again. The glassware in this luminaire is handcrafted. To ensure the intended lighting comfort, our glassware is blown. The process may generate air bubbles in the glass, just as its thickness may vary.

Warning: Scouring powder and similar substances will scratch surfaces.

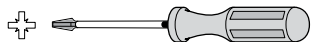
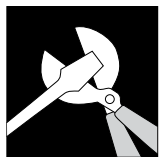
Consult a qualified electrician to ensure correct branch circuit conductor.

All installation is subject to local code and jurisdiction.

The installer must ensure that the wall can support the luminaire's weight. The installer must if necessary reinforce the wall structure by adequate means.



Louis Poulsen A/S disclaims any liability if a half mirror light bulb is used. This type of light source reflects the heat and may damage/melt parts of the fixture.



! ID NUMBER: \_\_\_\_\_  
Please register ID number at  
[www.louispoulsen.com](http://www.louispoulsen.com)

