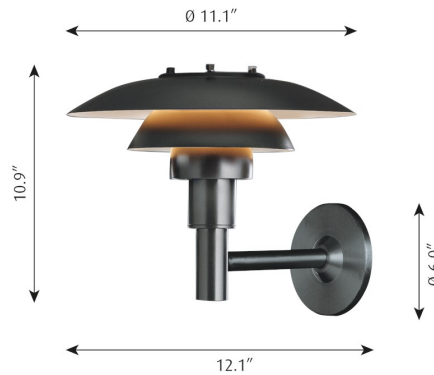


## PH 3-2½ WALL

Designed by Poul Henningsen

---



---

### Description

The fixture is designed based on the principle of a reflective three-shade system, which directs the majority of the light downwards. The shades have a matte white painted interior surface, diffusing the light in a comfortable way.

---

### Variants

VARIANT NUMBER	COLOR, RAL	W / H / L (IN) / W (LB)
5743900022	BLK, 726	11.1 / 10.9 / 12.1 IN / 4.7 LB

---

### Materials & Finishes

#### MATERIALS

Top shade: Spun stainless steel. Middle/lower shade: Spun stainless steel. Shadeholder: Die formed glass. Mounting plate: Die cast aluminum. Mounting plate cover: Spun aluminum. Arm: Stainless steel.

#### FINISHES

Black, powder coated.

---

# louis poulsen

## Mounting

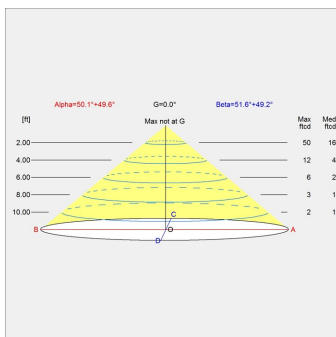
Surface: Mounted directly to finished surface over a recessed 4" octagonal junction box. For mounting instructions, see download section on the product detail page.

## Information

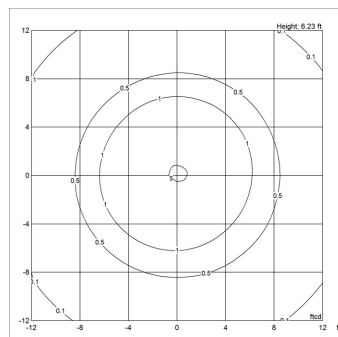
Electrical:  
 System Wattage: 15 W  
 Delivered lumens: 720 lm  
 Efficacy: 48.0 lm/W  
 Certifications:  
 cULus, Wet Location  
 Protection class IP44  
 BUG Rating: B0-U3-G1  
 Controllability: Phase dimming  
 Min.-Max. Ambient Temp: -20°C to +40°C  
 Actual performance dependent upon screw-base lamp used. For the E-socket product variants, bulbs are not included. LED light source is part of the product.

## Light distribution diagrams

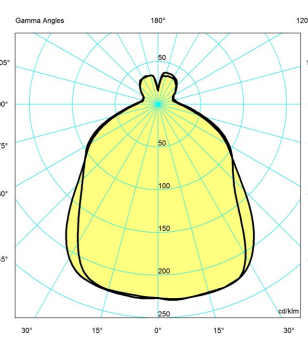
### CARTESIAN



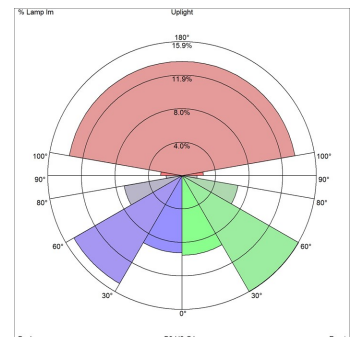
### ISOLUX



### POLAR



### BUG



## Variant Options

For particular variant options, please check our online Product Variants Configurator on the product detail page.

VARIANT NO.	LIGHT SOURCE	VOLTAGE/FRQ	LUMEN	FEATURES	CABLE
574390022	A-19/medium	120V	720	-	-