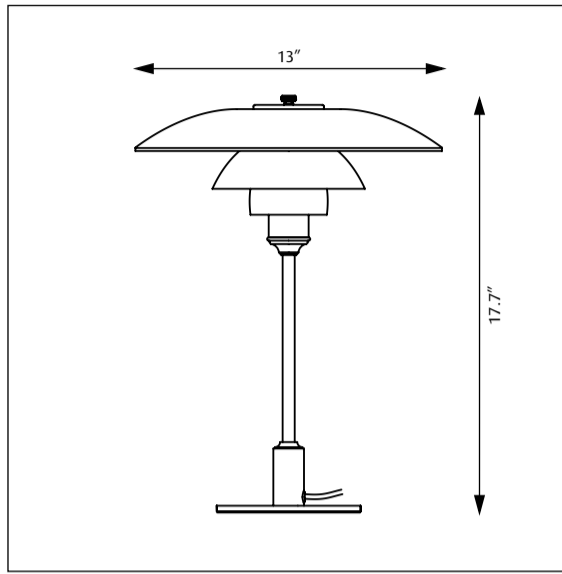



PH 3½-2½ OB Table

Design Poul Henningsen



27354-11

Light source	Voltage	Weight	Electric shock protection	Ingress protection
1/60W/G16.5/IF Candelabra 	120V	6 Lbs	Cl. I	IP20

Recommended cleaning substances:

Wipe off dust with a dry, soft cloth. If you use a soft cloth dampened in lukewarm water please remember to wipe the lamp with a dry cloth. Avoid using cleaning agents.

Cleaning instructions for shades:

Wipe off dust with a dry, soft cloth. Remove greasy spots etc. with a soft cloth dampened in lukewarm water (<122° F/ 50° C) with a mild detergent.

Never use detergents containing abrasives and solvents.

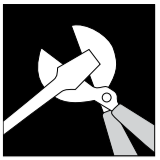
Mouth-blown glass in specific: Must be cleaned in cold condition. All water must be evaporated before the lamp is lit again. The glassware in this luminaire is handcrafted. To ensure the intended lighting comfort, our glassware is blown. The process may generate air bubbles in the glass, just as its thickness may vary.

Warning: Scouring powder and similar substances will scratch surfaces.

All installation is subject to local code and jurisdiction.



Louis Poulsen A/S disclaims any liability if a half mirror light bulb is used. This type of light source reflects the heat and may damage/melt parts of the fixture.



! ID NUMBER: _____
Please register IDnumber at www.louispoulsen.com

