

## PH 2/1 TABLE

Designed by Poul Henningsen

---



---

### Description

The fixture provides soft lighting. PH 2/1 is designed on the principle of a reflecting multi-shade system, creating harmonious and glare-free lighting. The shade design is based on a logarithmic spiral, with the center of the light source placed in the spiral's focal point.

---

### Variants

VARIANT NUMBER	COLOR, RAL	W / H / L (IN) / W (LB)
5744907105	BRASS METALLISED	7.9 / 14 / 7.9 IN / 3.4 LB
5744907118	HIGH LUSTRE CHROME PLATED, 900	7.9 / 14 / 7.9 IN / 3.4 LB
5744907121	BLACK METALIZED, 906	7.9 / 14 / 7.9 IN / 3.4 LB

---

### Materials & Finishes

#### MATERIALS

Shades: Hand-blown white opal glass. Top plate: Brass metallized, black metallized or high lustre chrome plated, machined brass. Base and stem: Brass metallized, black metallized or high lustre chrome plated, brass.

#### FINISHES

Brass metallized, black metallized or high lustre chrome plated. White opal glass.

---

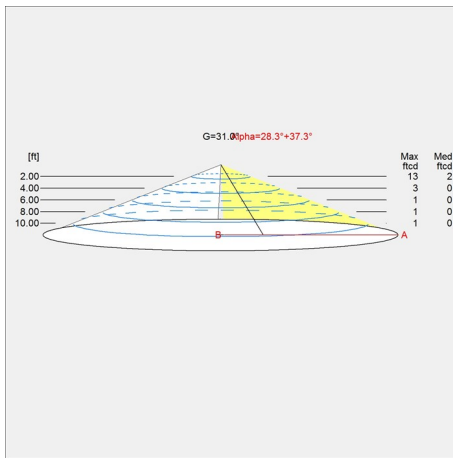
# louis poulsen

## Mounting

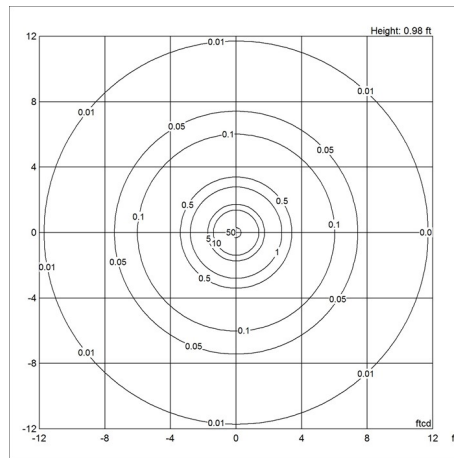
Cord type: Black for black and chrome colors; white for brass. Cord length: 10'. Switch: On/off switch on cord. For mounting instructions, see download section on the product detail page.

## Light distribution diagrams

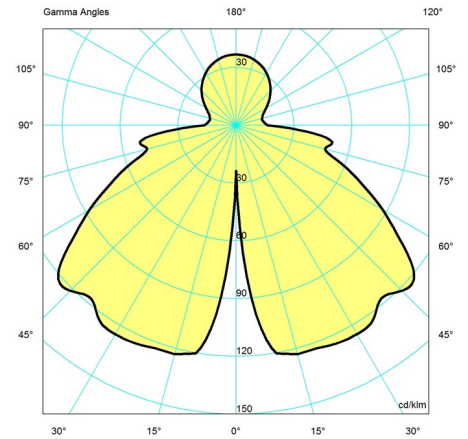
### CARTESIAN



### ISOLUX



### POLAR



## Variant Options

For particular variant options, please check our online Product Variants Configurator on the product detail page.

VARIANT NO.	LIGHT SOURCE	VOLTAGE/FRQ	LUMEN	FEATURES	CABLE
5744907105	T-4 G9	120V	304	-	Wht
5744907118	T-4 G9	120V	304	-	Blk
5744907121	T-4 G9	120V	304	-	Blk