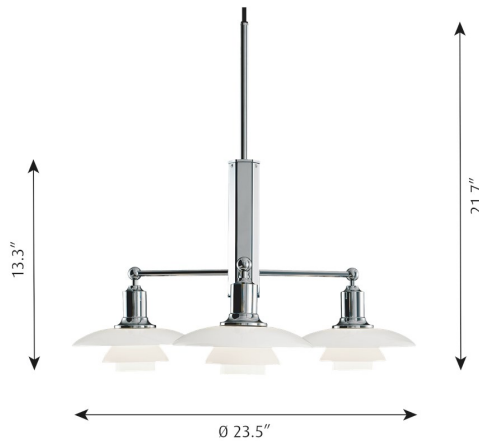


PH 2-1 STEM FITTING

Designed by Poul Henningsen



Description

The fixture is designed based on the principle of a reflective three-shade system, which directs the majority of the light downwards. The shades are made of handblown opal three-layer glass, which is glossy on the top and sandblasted matte on the underside, giving a soft and diffused light distribution.

Variants

VARIANT NUMBER	COLOR, RAL	W / H / L (IN) / W (LB)
5741939590	HIGH LUSTRE CHROME PLATED, 900	23.5 / 21.7 / 23.5 IN / 6.7 LB

Materials & Finishes

MATERIALS

Shades: Handblown white opal glass.
Body: High lustre chrome plated, brass.
Socket cover: High lustre chrome plated, spun aluminum.

FINISHES

High lustre chrome plated. White opal glass.

louis poulsen

Mounting

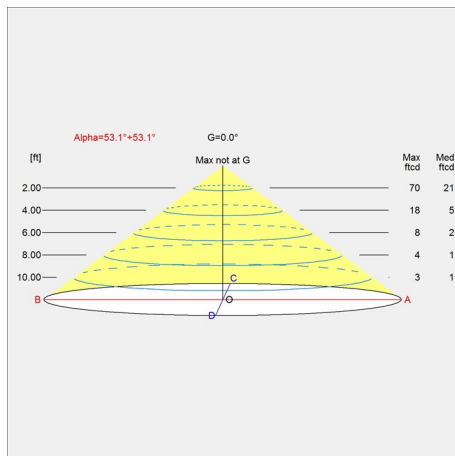
Canopy: White.
 Cord length: 12'.
 Cord type: 3-conductor, 18 AWG black braided fabric covered power cord. For mounting instructions, see download section on the product detail page.

Information

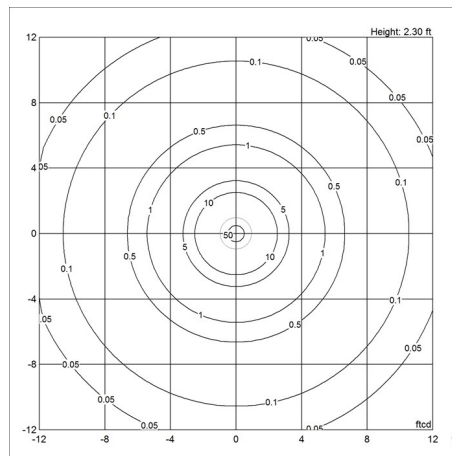
Electrical:
 System Wattage: 30W
 Delivered lumens: 1,025
 Efficacy: 34 lm/W
 Certifications:
 cULus, Dry Location
 Protection class IP20
 Controllability: Phase dimming
 Actual performance dependent upon screw-base lamp used. For the E-socket product variants, bulbs are not included. LED light source is part of the product.

Light distribution diagrams

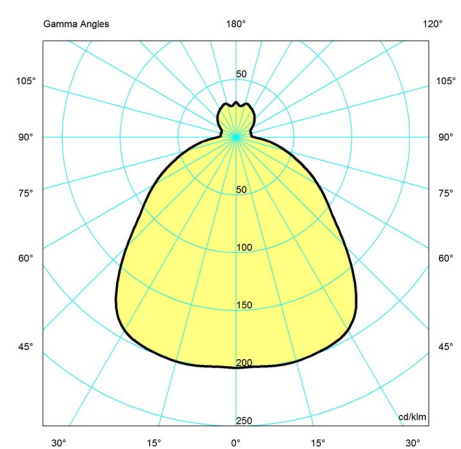
CARTESIAN



ISOLUX



POLAR



Variant Options

For particular variant options, please check our online Product Variants Configurator on the product detail page.

VARIANT NO.	LIGHT SOURCE	VOLTAGE/FRQ	LUMEN	FEATURES	CABLE
5741939590	G16.5/IF candelabra	120V	1025	-	Black textile