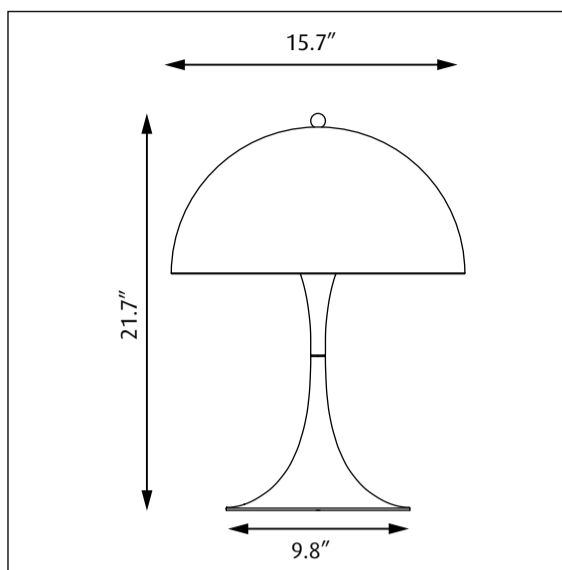


Panthea Table

Design Verner Panton



24402-11

Light source	Voltage	Weight	Ingress protection
Max size: Height: 3" Ø: 1.8" Max. 15W E26 Type A-19 Bulb	120V/50-60Hz	6.1 lbs	IP20

Recommended cleaning substances:

Wipe off dust with a dry, soft cloth. Remove greasy spots etc. with a soft cloth dampened in lukewarm water (<122° F/ 50° C) with a mild detergent. Never use detergents containing abrasives and solvents.

Warning: Scouring powder and similar substances will scratch surfaces.

All installation is subject to local code and jurisdiction.

⚠ Louis Poulsen A/S disclaims any liability if a half mirror light bulb is used. This type of light source reflects the heat and may damage/melt parts of the fixture.

