

PANTHELLA 250 TABLE LAMP

Designed by Verner Panton



Description

The fixture emits a glare-free, soft and comfortable illumination. The metal shade versions direct the light directly downwards and create a pleasant illumination due to the inner white painted shade and the reflection from the trumpet-shaped stem. The opal acrylic produces a diffused comfortable light due to the translucent shade, the downward reflection from the inner shade and the reflection from the trumpet-shaped stem.

Variants

VARIANT NUMBER	COLOR, RAL	W / H / L (IN) / W (LB)
5744162432	BLK, 708	9.8 / 13.2 / 9.8 IN / 2.6 LB
5744162461	WHT OPAL ACRYL, 970	9.8 / 13.2 / 9.8 IN / 2.6 LB
5744162474	ORANGE, 269	9.8 / 13.2 / 9.8 IN / 2.6 LB
5744162513	WHT, 011	9.8 / 13.2 / 9.8 IN / 2.6 LB
5744162555	HIGH LUSTRE CHROME PLATED, 900	9.8 / 13.2 / 9.8 IN / 2.6 LB
5744162937	PALE ROSE	9.8 / 13.2 / 9.8 IN / 2.6 LB
5744167110	BRASS METALLISED	9.8 / 13.2 / 9.8 IN / 2.6 LB
5744168038	GREY OPAL ACRYL	9.8 / 13.2 / 9.8 IN / 2.6 LB
5744612649	PALE BLUE	9.8 / 13.2 / 9.8 IN / 2.6 LB
5744612652	CORAL	9.8 / 13.2 / 9.8 IN / 2.6 LB

louis poulsen

Materials & Finishes

MATERIALS

Shade: Injection-molded acrylic or deep-drawn steel.

Base and housing: Cast aluminum.

Diffuser: Injection-molded opal pmma.

FINISHES

White Opal Acrylic shade with white stand.

Gray Opal Acrylic shade with high-luster chrome stand.

High-Luster Chrome shade and stand.

Metalized Brass shade and stand.

White, Black, or Orange shade and stand, Powder-coated.

Mounting

Cable type: White for brass, pale rose and white finishes; Black for other finishes. Cable length: 8'. LED-driver: Separate, plugs into power outlet. Light control: In-line switch. Auto shut-off timer: 4 hours/8 hours. Continuous dimming from 15% to 100%. For mounting instructions, see download section on the product detail page.

Information

Electrical:

System Wattage: 10W

LED Wattage: 9W

Delivered lumens: 428-589

Efficacy: 42 - 58 lm/W (LED)

Certifications:

cULus, Dry Location

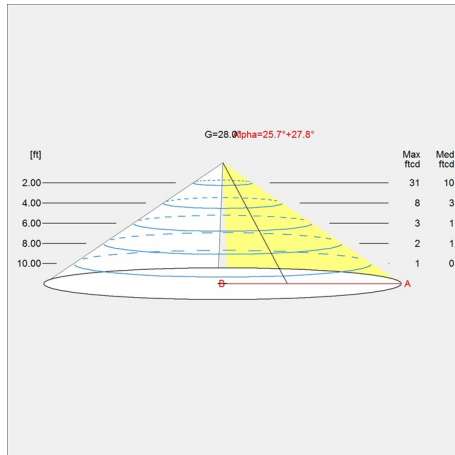
Protection class IP20

Controllability: Continuous dimming by touch switch on cord.

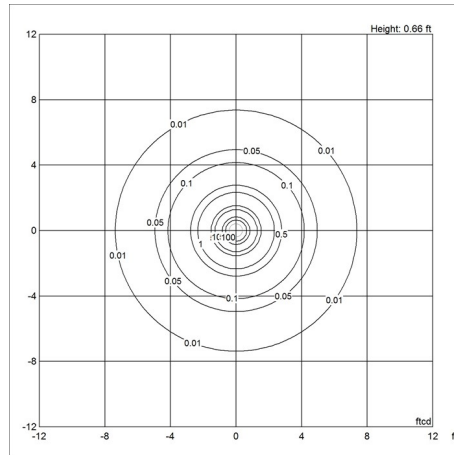
Color Rendering: Ra≥90 For the E-socket product variants, bulbs are not included. LED light source is part of the product.

Light distribution diagrams

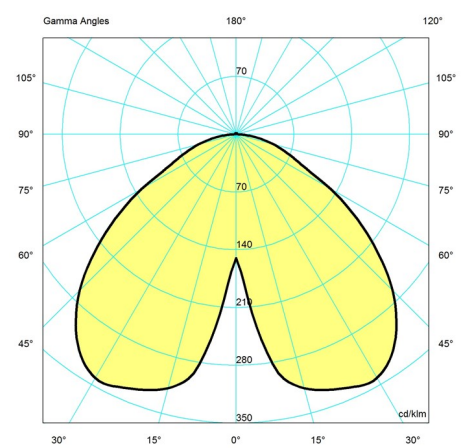
CARTESIAN



ISOLUX



POLAR



Variant Options

For particular variant options, please check our online Product Variants Configurator on the product detail page.

VARIANT NO.	LIGHT SOURCE	VOLTAGE/FRQ	LUMEN	FEATURES	CABLE
5744162432	LED 2700K	120V	428	-	-
5744162461	LED 2700K	120V	589	-	-
5744162474	LED 2700K	120V	428	-	-
5744162513	LED 2700K	120V	460	-	-
5744162555	LED 2700K	120V	428	-	-
5744162937	LED 2700K	120V	428	-	Wht
5744167110	LED 2700K	120V	428	-	Wht
5744168038	LED 2700K	120V	679	-	Blk
5744612649	LED 2700K	120V	428	-	Blk
5744612652	LED 2700K	120V	428	-	Blk