

## PANTHELLA 320 TABLE LAMP

Designed by Verner Panton

---



---

### Description

The fixture emits a soft, comfortable, glare-free, light. The metal-shade versions direct the light directly downward, creating a pleasant illumination due to the inner white-painted shade and the reflection from the trumpet-shaped stem. The opal acrylic produces a diffused, comfortable light due to the translucent shade, the downward reflection from the inner shade, and the reflection from the trumpet-shaped stem.

---

### Variants

VARIANT NUMBER	COLOR, RAL	W / H / L (IN) / W (LB)
5744908405	GREY OPAL ACRYL	12.6 / 17.2 / 12.6 IN / 3.3 LB
5744918000	WHT OPAL ACRYL, 970	12.6 / 17.2 / 12.6 IN / 3.3 LB
5744918055	HIGH LUSTRE CHROME PLATED	12.6 / 17.2 / 12.6 IN / 3.3 LB
5744918107	BRASS METALLISED	12.6 / 17.2 / 12.6 IN / 3.3 LB

---

### Materials & Finishes

#### MATERIALS

Shade: Injection-molded acrylic or deep-drawn steel. Base and housing: Cast aluminum.  
Diffuser: Injection-molded opal pmma.

#### FINISHES

White opal acrylic shade with white stand.

---

# louis poulsen

Gray opal acrylic shade with high-luster chrome stand.  
High-luster chrome shade and stand.  
Brass metallized shade and stand.

## Mounting

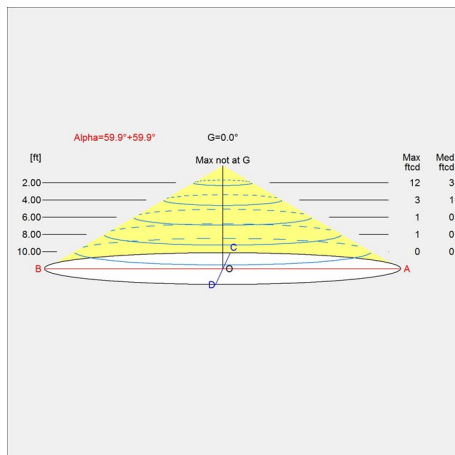
Cable type: White for white and brass finishes; Black for other finishes. Cable length: 8'.  
Switch: In-line on/off. Diffuser with bayonet lock. For mounting instructions, see download section on the product detail page.

## Information

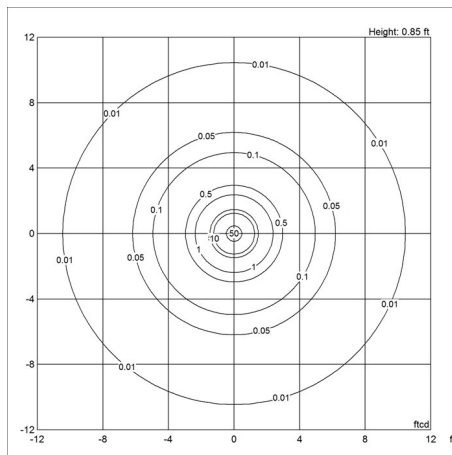
Electrical:  
System Wattage: 10W  
Delivered lumens: 270 - 367 lm  
Efficacy: 27 - 36 lm/W  
Certifications:  
cULus, Dry Location  
Protection class IP20  
Color Rendering:  $Ra \geq 90$   
Actual performance dependent upon screw-base lamp used. For the E-socket product variants, bulbs are not included. LED light source is part of the product.

## Light distribution diagrams

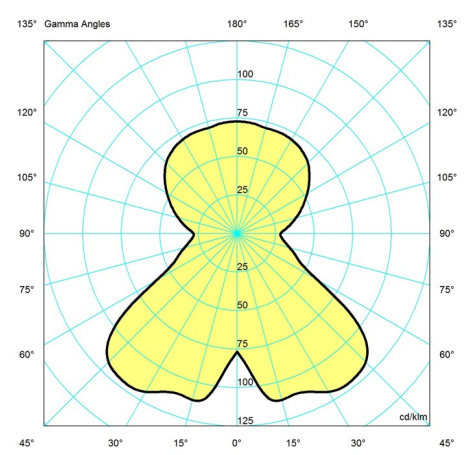
### CARTESIAN



### ISOLUX



### POLAR



## Variant Options

For particular variant options, please check our online Product Variants Configurator on the product detail page.

### VARIANT NO.

5744908405

### LIGHT SOURCE

G16.5/candelabra

### VOLTAGE/FRQ

### LUMEN

367

### FEATURES

-

### CABLE

Blk

# **louis poulsen**

5744918000	G16.5/candelabra	120V	367	-	Wht
5744918055	G16.5/candelabra	120V	277	-	Blk
5744918107	G16.5/candelabra	120V	270	-	Wht

---