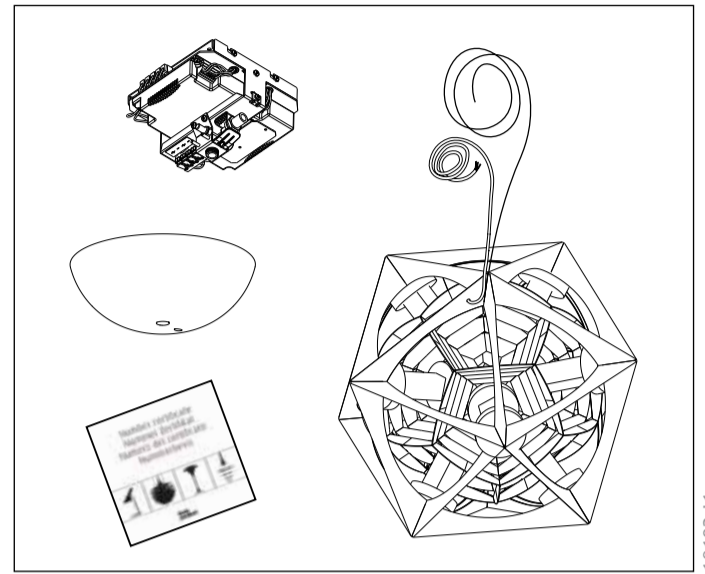
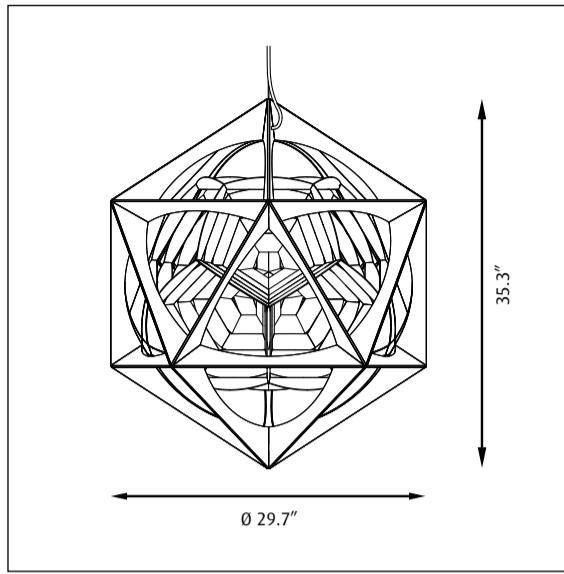
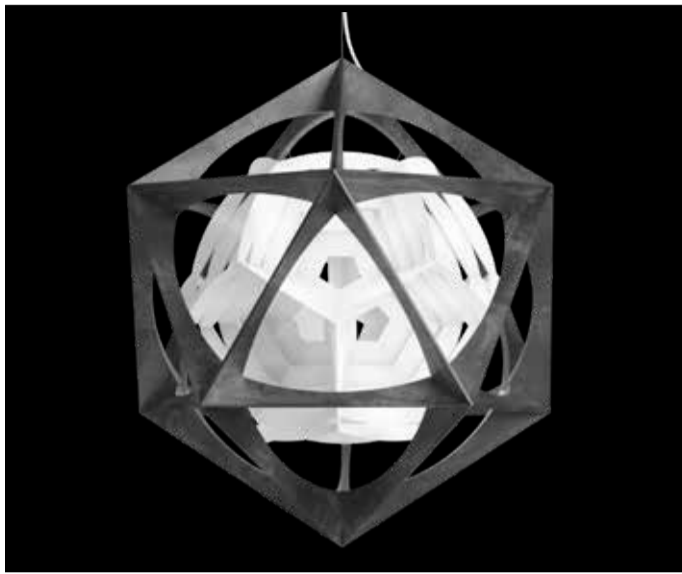



OE Quasi Light Ø900

Design Olafur Eliasson



18192-11

Light source	Voltage	Weight	Electric shock protection	Ingress protection
LED	 Max 120V-277V	Max 48.5 lbs	Cl. I	IP 20

The luminaire may only be lifted/carried by the wire and never by the cable!

Recommended cleaning substances:

Wipe off dust with a dry, soft cloth. Remove greasy spots etc. with a soft cloth dampened in lukewarm water (<122° F/ 50° C) with a mild detergent.

Warning: Scouring powder and similar substances will scratch surfaces.

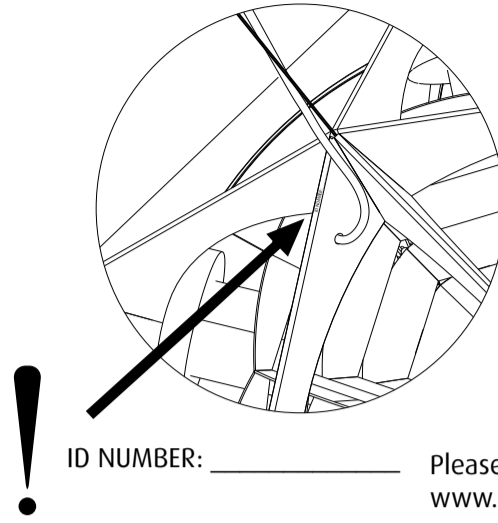
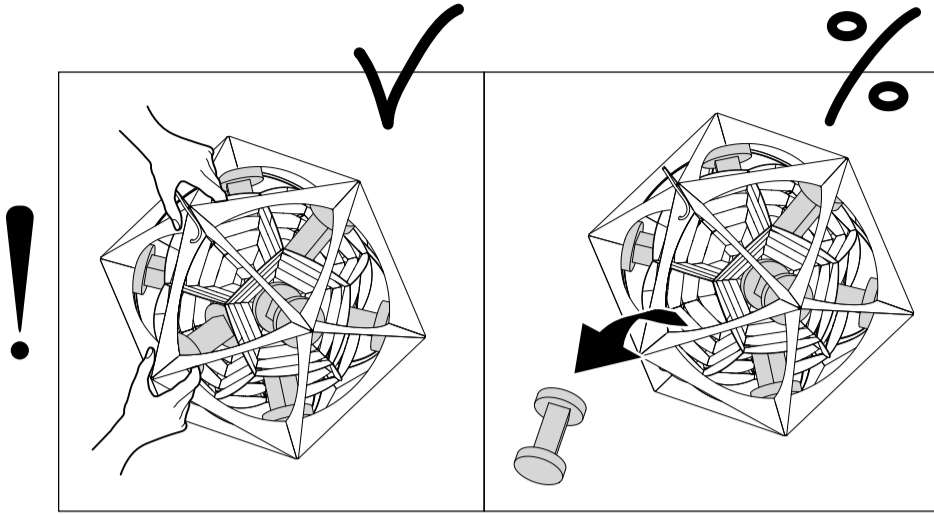
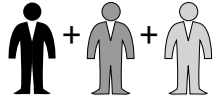
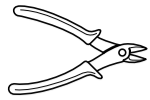
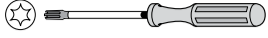
All installation is subject to local code and jurisdiction.

Consult a qualified electrician to ensure correct branch circuit conductor.

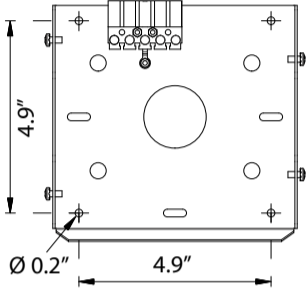
The installer must ensure that the ceiling can support the luminaire's weight. The installer must if necessary reinforce the ceiling structure by adequate means.



Due to possibility of personal injury or property damage, always contact a qualified electrician for servicing or repair of this fixture. To avoid risk of electrical shock, personal injury, or death, disconnect power to fixture before servicing.

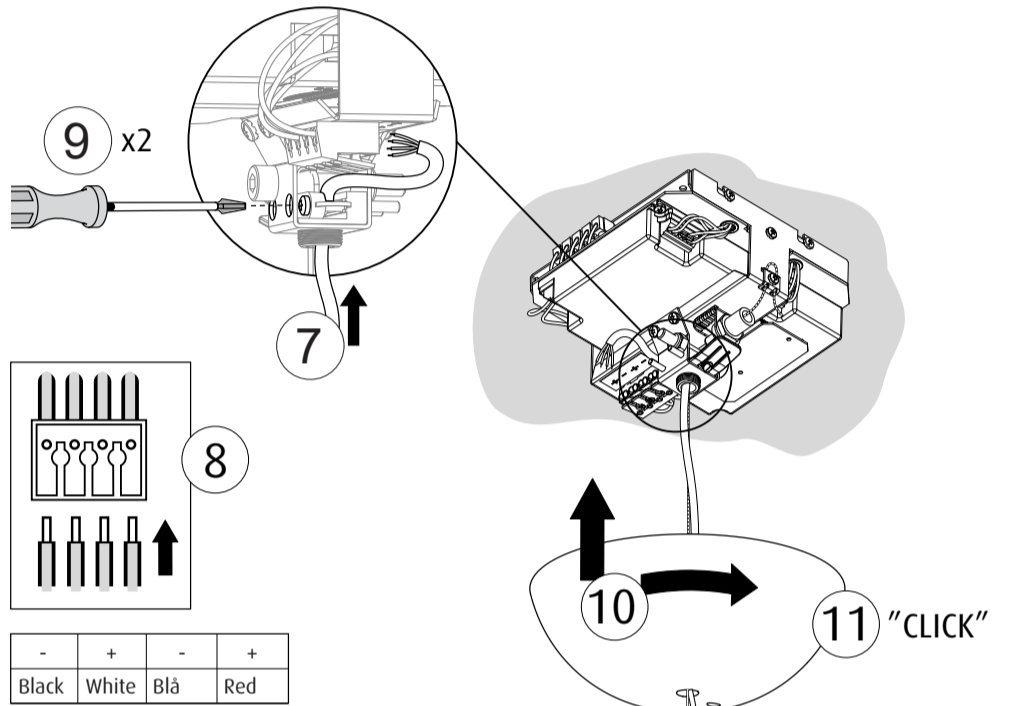
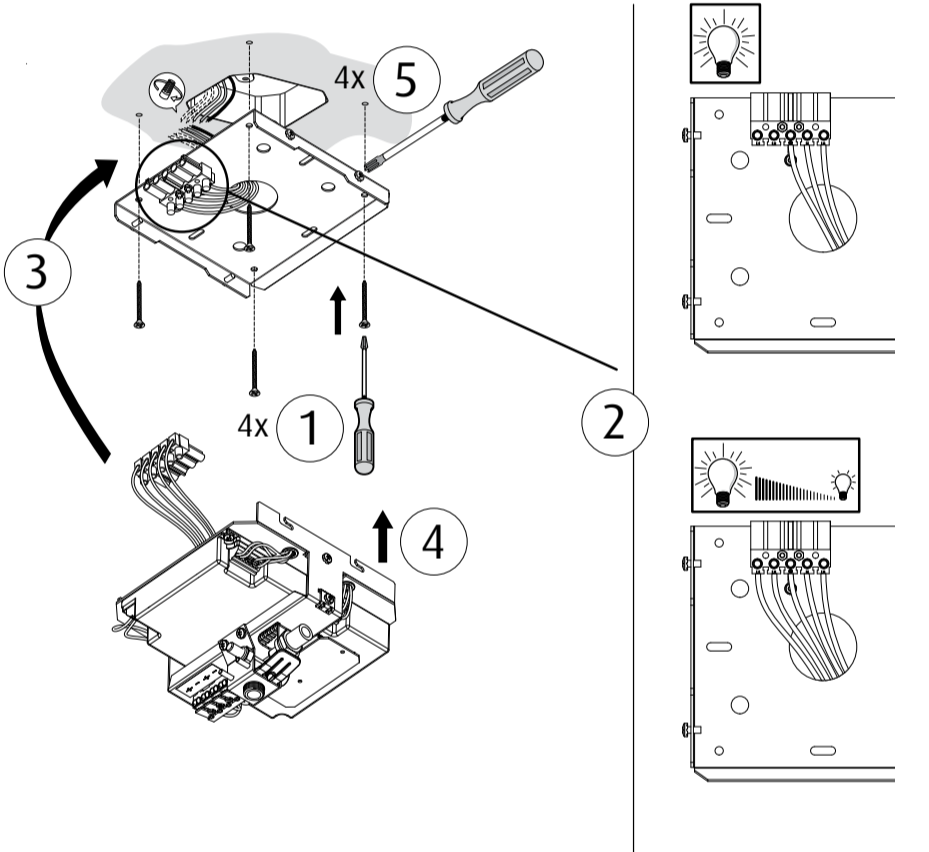


ID NUMBER: _____ Please register ID number at www.louispuolsen.com



- Green (Ground)
- White (Neutral)
- Black (Line)

For dimming wires use class 1 wiring methods:
Grey (0-10V Dim -)
Violet (0-10V Dim +)



-	+	-	+
Black	White	Blå	Red

