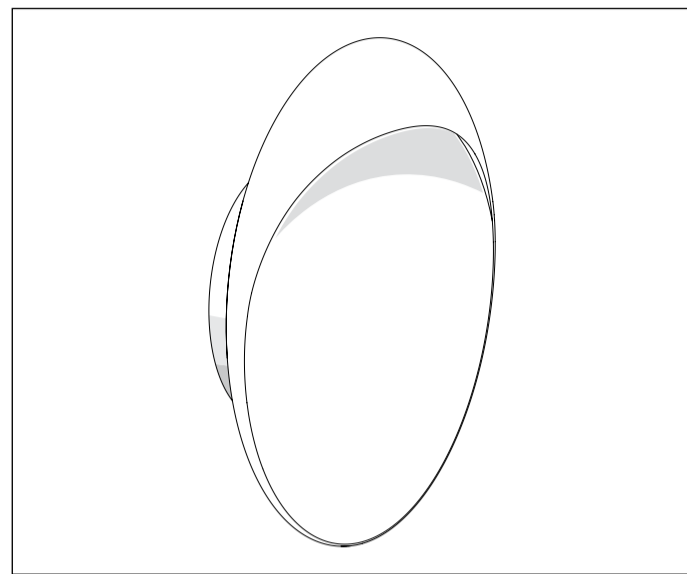
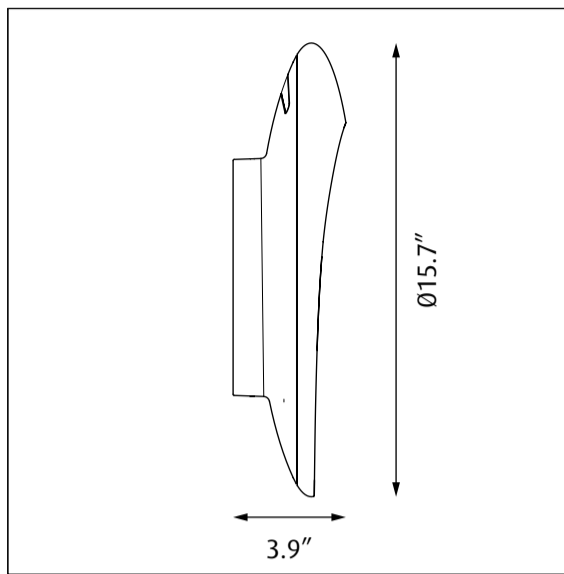
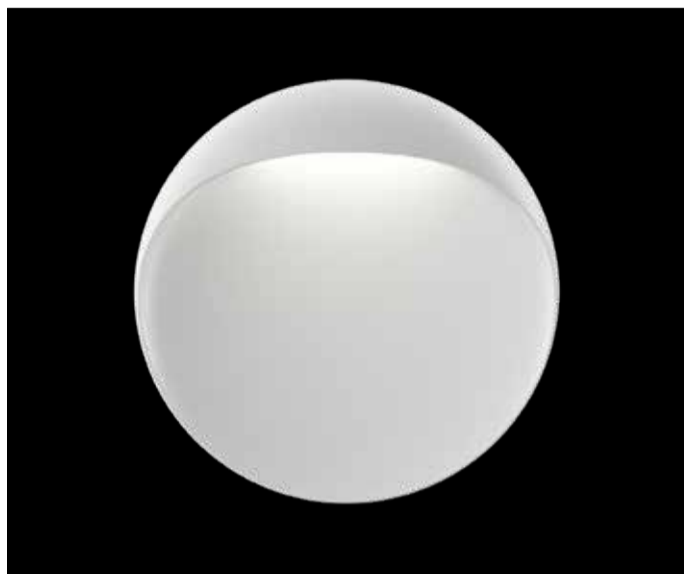



# Flindt Wall 400 US

Design Christian Flindt



37022-11

Light source	Voltage/frequency	Weight	Electric shock protection	Ingress protection	Impact protection
<b>LED</b>	 <b>120V/60 Hz</b>	<b>8,6 lbs</b>	<b>Cl. I, Grounded</b>	<b>IP 65, Wet location</b>	<b>IK10</b>

#### Recommended cleaning substances:

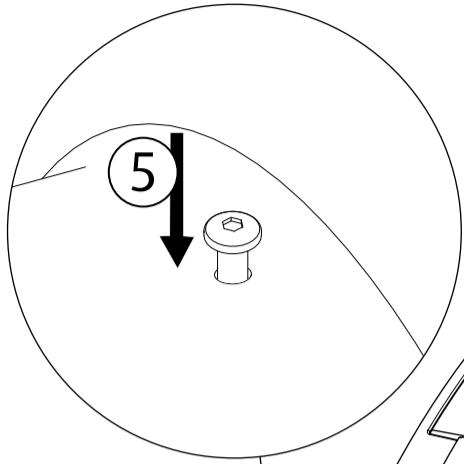
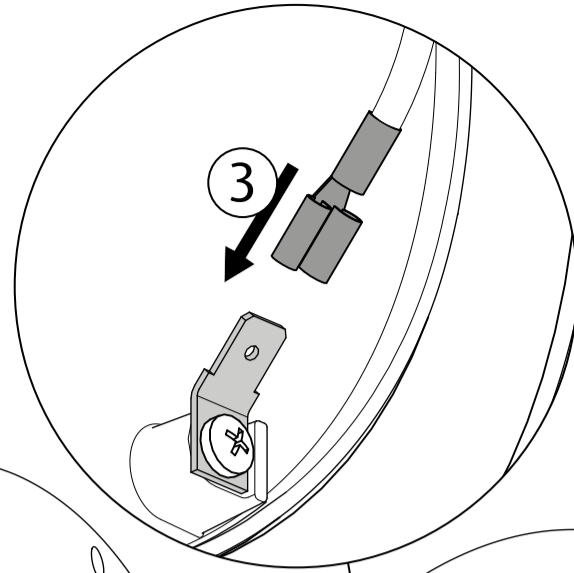
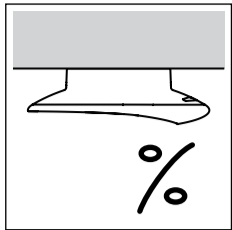
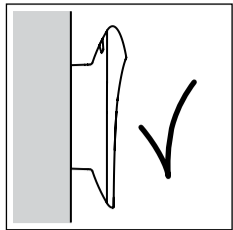
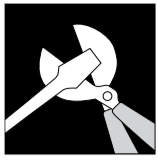
Wipe off dust with a dry, soft cloth. Remove greasy spots etc. with a soft cloth dampened in lukewarm water (<122° F/ 50° C) with a mild detergent. Never use detergents containing abrasives and solvents.

Warning: Scouring powder and similar substances will scratch surfaces.

All installation is subject to local code and jurisdiction.

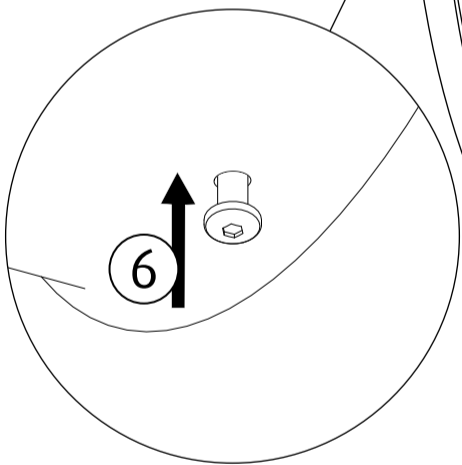
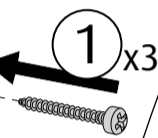
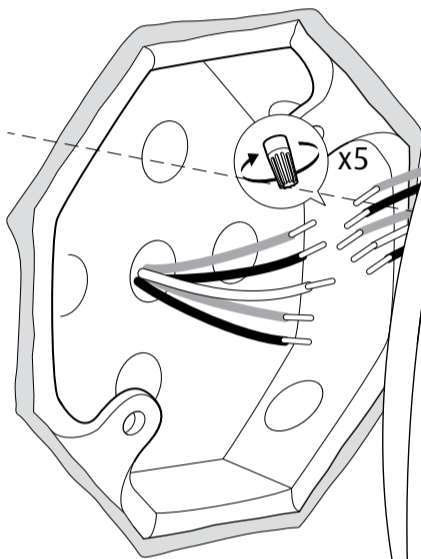


Due to possibility of personal injury or property damage, always contact a qualified electrician for servicing or repair of this fixture. To avoid risk of electrical shock, personal injury, or death, disconnect power to fixture before servicing.



2

- Green to Green (ground)
- White to White
- Black to Black
- Purple to purple
- Grey to grey



Rawplugs  
Screws  
Expansion bolts  
( Not provided )

4" Octagonal junction box

The installer must seal the back of the wall flange to the wall with a bead of silicone

The installer must ensure to use proper means (rawplugs / screws / expansion bolts) to secure the fixture to the wall material. (Means not provided)  
The installer must if necessary reinforce the wall structure by adequate means.

