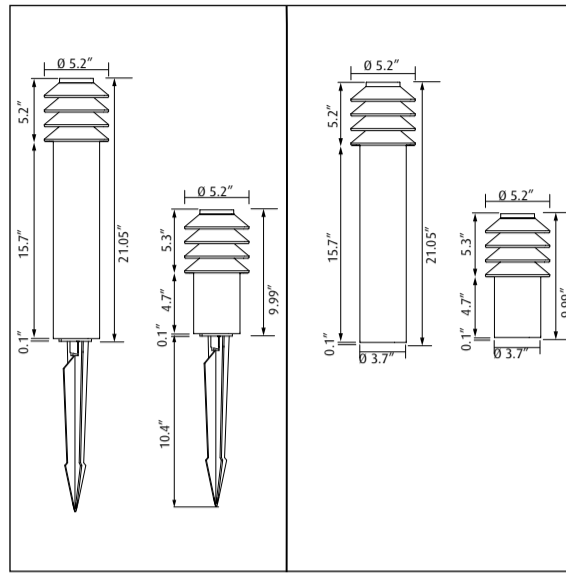
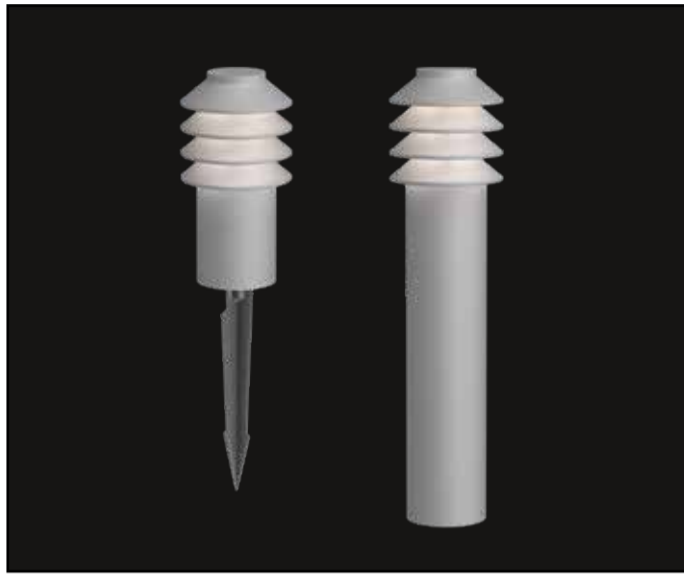

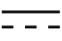


# Bysted Garden Anchor & Base

Design Peter Bysted



57511-14

Light source	Voltage/frequency	Weight	Ingress protection	Impact protection
<b>LED 14W</b> 	<b>24Vdc Class 2 Power supply</b> 	<b>Max. 6.6 Lbs</b>	<b>Suitable for Wet location</b> <b>Anchor/Base: (Fixed installation) IP44</b>	<b>IK 06</b>


**Recommended cleaning substances:**

Wipe off dust with a dry, soft cloth. Remove greasy spots etc. with a soft cloth dampened in lukewarm water (<122° F/ 50° C) with a mild detergent. Never use detergents containing abrasives and solvents.

Warning: Scouring powder and similar substances will scratch surfaces.

All installation is subject to local code and jurisdiction. Consult a qualified electrician to ensure correct branch circuit conductor.

The installer must ensure that the foundation is stable and can support the luminaire's weight. The Installer must use proper means to secure the luminaire to the ground.

 Due to possibility of personal injury or property damage, always contact a qualified electrician for servicing or repair of this fixture. To avoid risk of electrical shock, personal injury, or death, disconnect power to fixture before servicing.

**Accessories can be bought at a local Louis Poulsen dealer, or at [www.louispoulsen.com](http://www.louispoulsen.com)**

**EN**  
Extensions sold separately:

Extension cord: 5747405316 GARDEN EXTENSION CABLE 5M  
T-Connector: 5747405303 GARDEN T-CONNECTOR

**FR**  
Extensions vendues séparément:

Rallonge électrique: 5747405316 GARDEN EXTENSION CABLE 5M  
Connecteur en T: 5747405303 GARDEN T-CONNECTOR

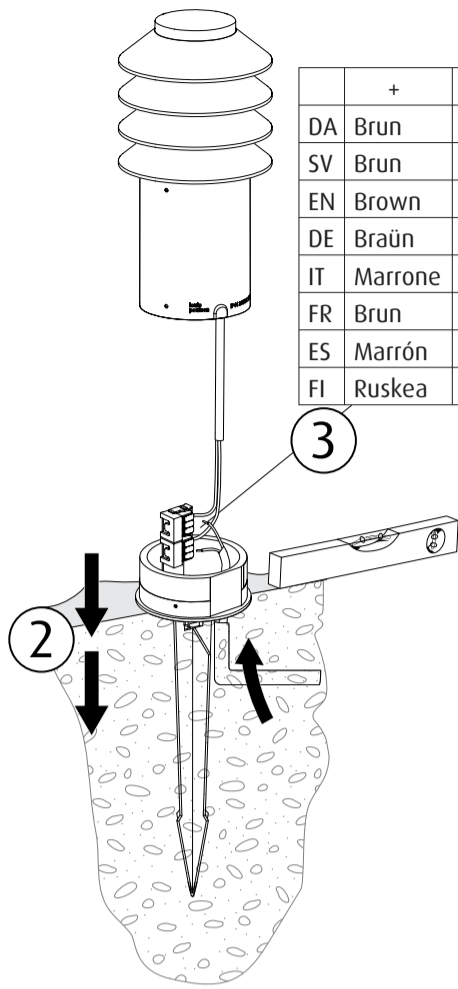
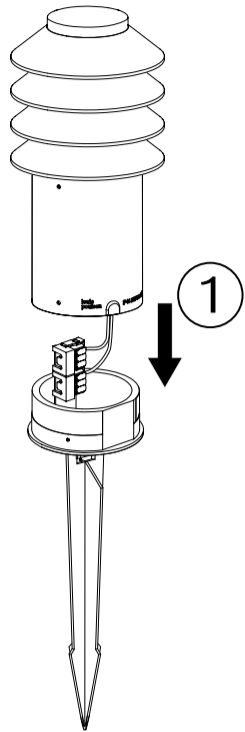
**ES**  
Las extensiones se venden por separado:

Cable de extensión: 5747405316 GARDEN EXTENSION CABLE 5M  
Conector en T: 5747405303 GARDEN T-CONNECTOR

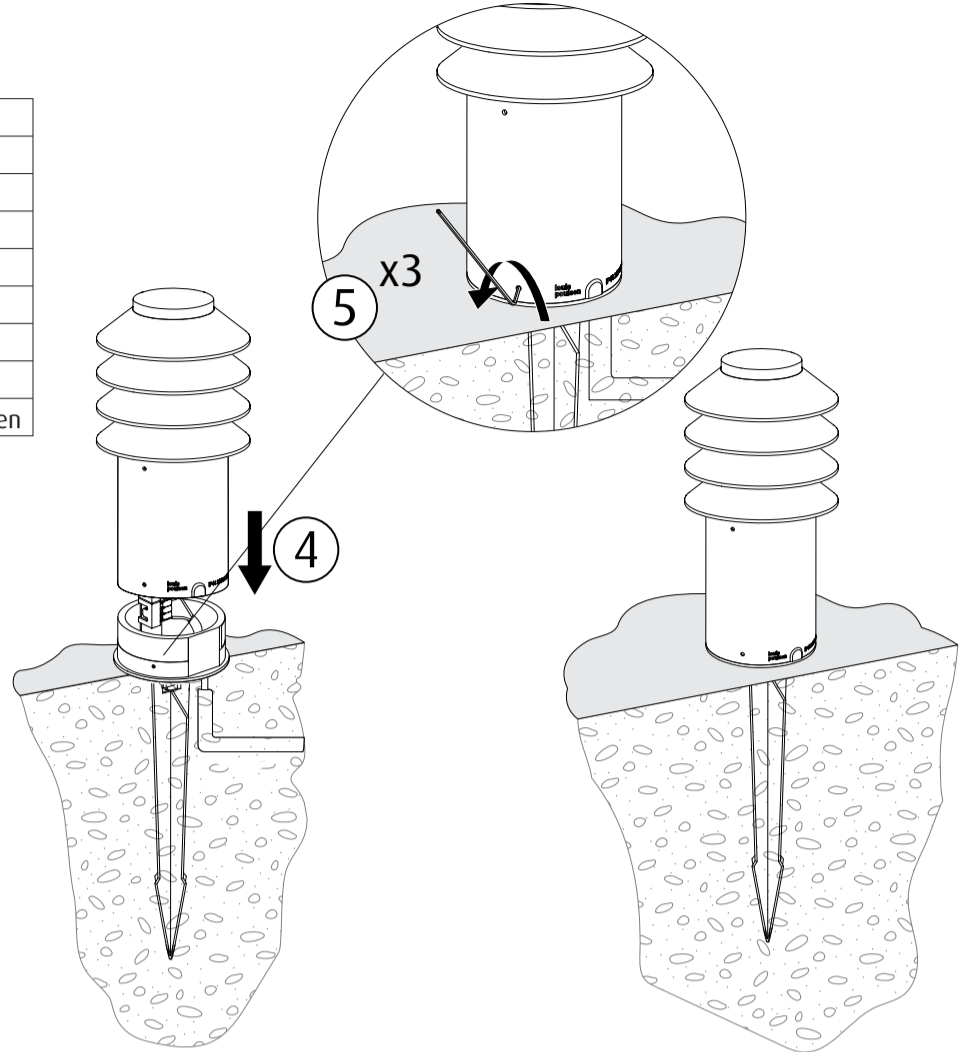
How to calculate the minimum size of power supply to the amount of bollards
(Amount of Bollards bought) x (Rated Wattage of Bollars) =Size of power supply needed)*
Eg. (Bysted Bollards) x (14 Watt) = 2 x 14 = Minimum 28 Watt Power supply needed *.
*Note: Use a Class 2 supply only



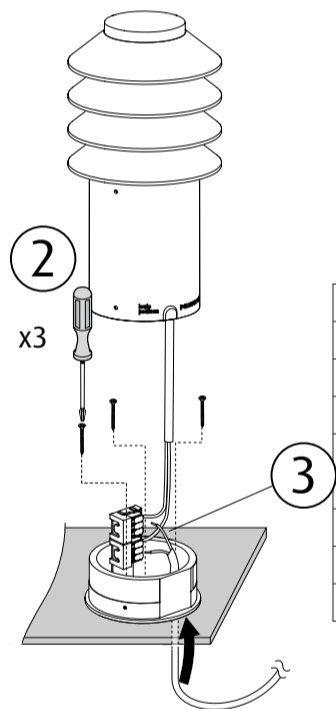
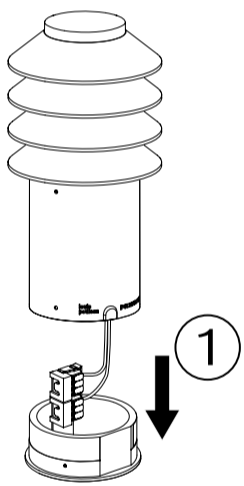
**A**



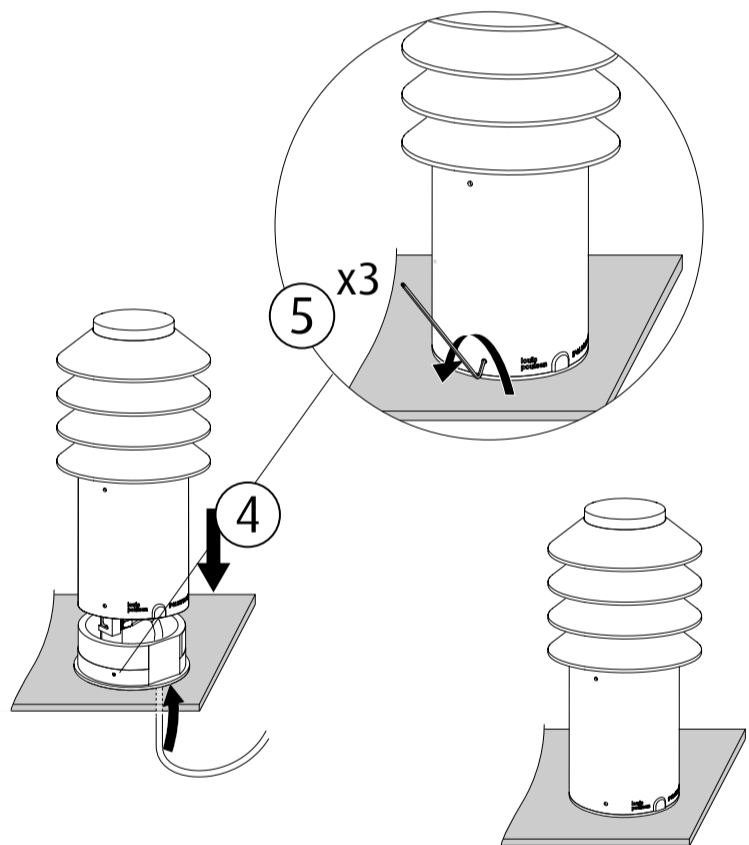
	+	-
DA	Brun	Blå
SV	Brun	Blå
EN	Brown	Blue
DE	Braün	Blau
IT	Marrone	Blu
FR	Brun	Bleu
ES	Marrón	Azul
FI	Ruskea	Sininen



**B**



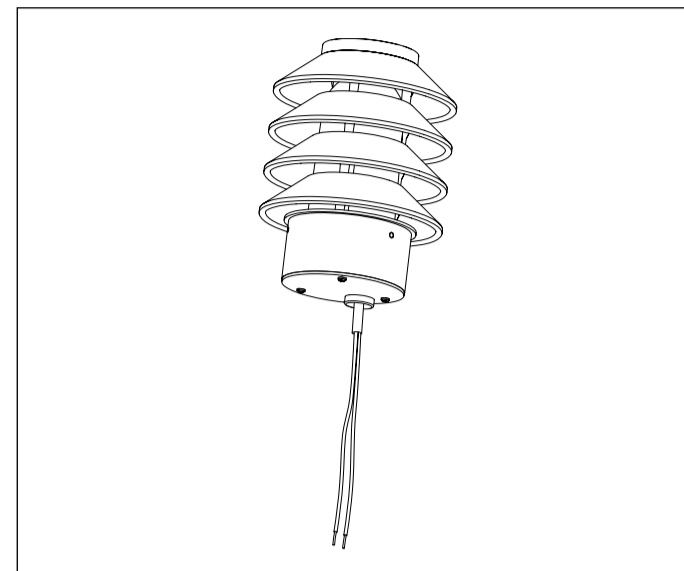
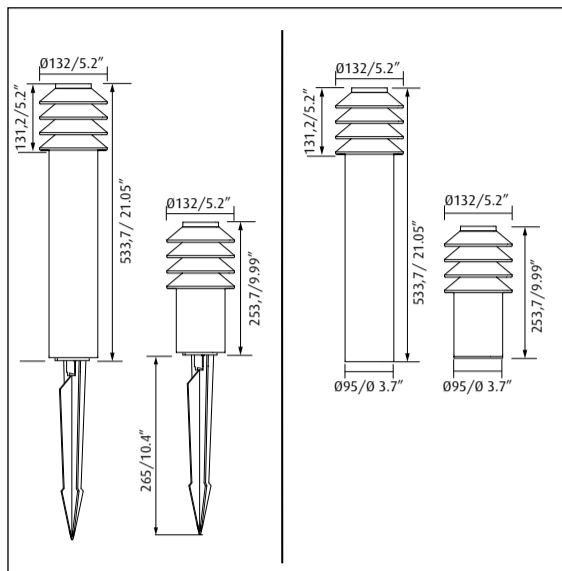
	+	-
DA	Brun	Blå
SV	Brun	Blå
EN	Brown	Blue
DE	Braün	Blau
IT	Marrone	Blu
FR	Brun	Bleu
ES	Marrón	Azul
FI	Ruskea	Sininen



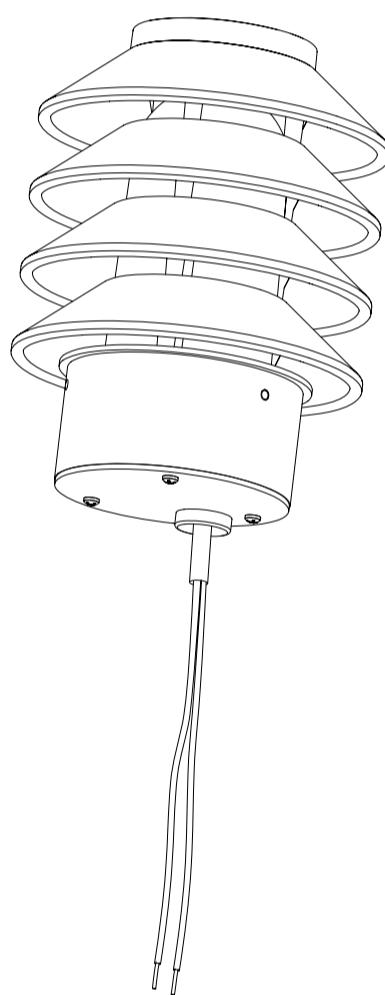
Distance from power supply to last bollard.

Wire Gauge \ Load in Watt	0-9 Watt	10-19 Watt	20-29 Watt	30-39 Watt	40-49 Watt	50-59 Watt	60-69 Watt	70-79 Watt	80-89 Watt	90-99 Watt
18 AWG	91 M 298 Ft	43 M 141 Ft	28 M 92 Ft	21 M 69 Ft	16 M 52 Ft	14 M 46 Ft	11 M 36 Ft	10 M 33 Ft	9 M 30 Ft	8 M 26 Ft
17 AWG	116 M 380 Ft	54 M 177 Ft	36 M 118 Ft	26 M 85 Ft	21 M 69 Ft	17 M 56 Ft	15 M 49 Ft	13 M 43 Ft	11 M 36 Ft	10 M 33 Ft
16 AWG	146 M 479 Ft	69 M 226 Ft	45 M 148 Ft	33 M 108 Ft	26 M 85 Ft	22 M 72 Ft	19 M 62 Ft	16 M 52 Ft	14 M 46 Ft	13 M 43 Ft
15 AWG	184 M 604 Ft	87 M 285 Ft	57 M 187 Ft	42 M 138 Ft	33 M 108 Ft	28 M 92 Ft	24 M 79 Ft	20 M 66 Ft	18 M 59 Ft	16 M 52 Ft
14 AWG	232 M 761 Ft	109 M 358 Ft	72 M 236 Ft	53 M 174 Ft	42 M 138 Ft	35 M 115 Ft	30 M 98 Ft	26 M 85 Ft	23 M 75 Ft	21 M 69 Ft
13 AWG	293 M 961 Ft	138 M 453 Ft	91 M 298 Ft	67 M 220 Ft	53 M 174 Ft	44 M 144 Ft	38 M 125 Ft	33 M 108 Ft	29 M 95 Ft	26 M 85 Ft
12 AWG	369 M 1210 Ft	174 M 571 Ft	114 M 374 Ft	85 M 279 Ft	67 M 220 Ft	56 M 184 Ft	48 M 157 Ft	42 M 138 Ft	37 M 121 Ft	33 M 108 Ft

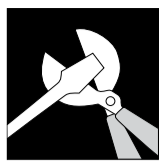
Design Peter Bysted



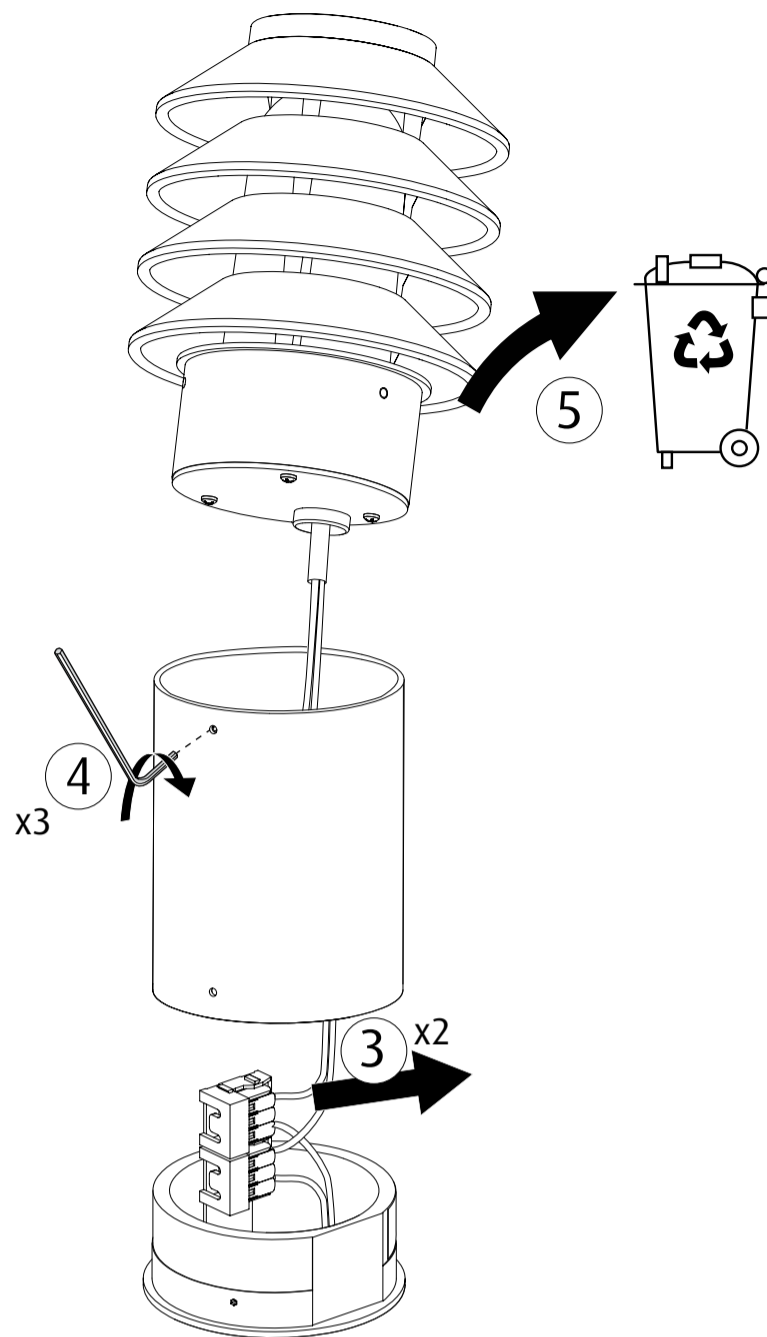
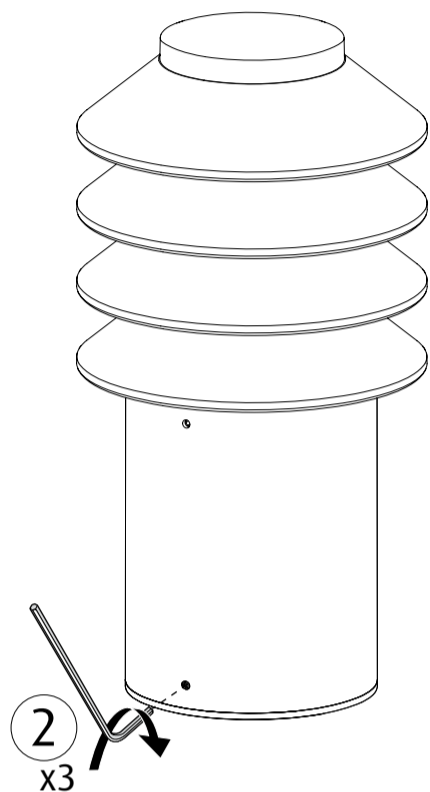
57510-15



- ⚠ **DA**  
Lyskilden i dette armatur må kun udskiftes af producenten eller en uddannet elektriker.
- ⚠ **EN**  
The light source contained in this luminaire shall only be replaced by the manufacturer or a qualified electrician.
- ⚠ **DE**  
Das in dieser Leuchte enthaltene Leuchtmittel sollte nur vom Hersteller oder von einem qualifizierten Elektriker ausgetauscht werden.
- ⚠ **SV**  
Ljuskällan i denna armatur ska endast bytas ut av tillverkaren eller en kvalificerad elektriker.
- ⚠ **IT**  
La sorgente contenuta in questa parte illuminante sarà solo riposizionata dal produttore o da un elettricista esperto.
- ⚠ **FR**  
La source lumineuse de ce luminaire ne peut être remplacée que par le fabricant ou un électricien qualifié.
- ⚠ **ES**  
La sustitución de la fuente de luz que contiene esta luminaria debe ser llevada a cabo exclusivamente por el fabricante o un electricista profesional.
- ⚠ **FI**  
Tämän valaisimen valonlähteen saa vaihtaa ainoastaan valmistaja tai koulutettu sähköasentaja.



**A**



**B**

