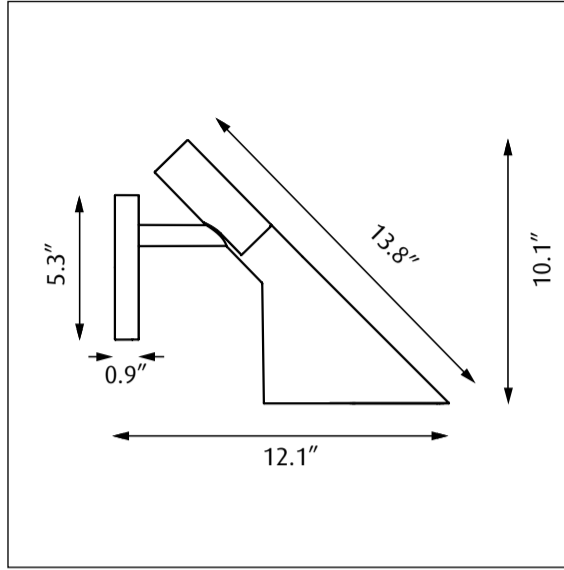



AJ 50 Wall Outdoor

Design Arne Jacobsen



31102-11


Light source	Voltage/frequency	Weight	Electric shock protection	Ingress protection	Impact protection
LED	 120V/60 Hz	4.5 lbs	Cl. I, Grounded	IP 65, Wet location	IK 06

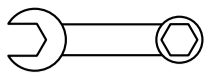
Recommended cleaning substances:

Wipe off dust with a dry, soft cloth. Remove greasy spots etc. with a soft cloth dampened in lukewarm water (<122° F/ 50° C) with a mild detergent. Never use detergents containing abrasives and solvents.

Warning: Scouring powder and similar substances will scratch surfaces.

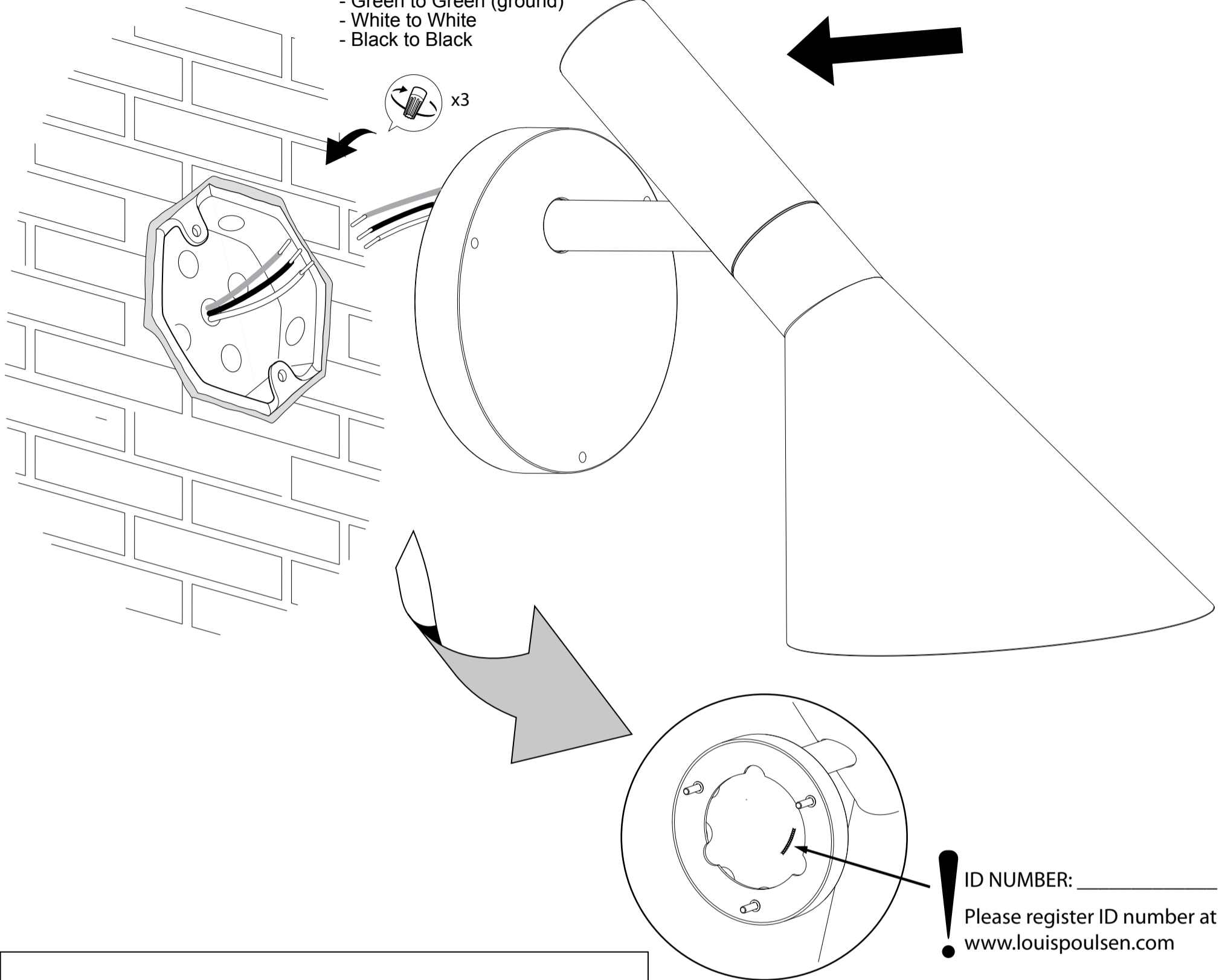
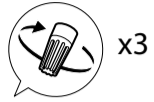
All installation is subject to local code and jurisdiction. Consult a qualified electrician to ensure correct branch circuit conductor.

 Due to possibility of personal injury or property damage, always contact a qualified electrician for servicing or repair of this fixture. To avoid risk of electrical shock, personal injury, or death, disconnect power to fixture before servicing.



**For installation
Over a 4" junction box**

- Green to Green (ground)
- White to White
- Black to Black



Rawplugs
Screws
Expansion bolts
(Not provided)

4" Octagonal junction box

The installer must seal the back of the wall flange to the wall with a bead of silicone

The installer must ensure to use proper means (rawplugs / screws / expansion bolts) to secure the fixture to the wall material. (Means not provided)
The installer must if necessary reinforce the wall structure by adequate means.

