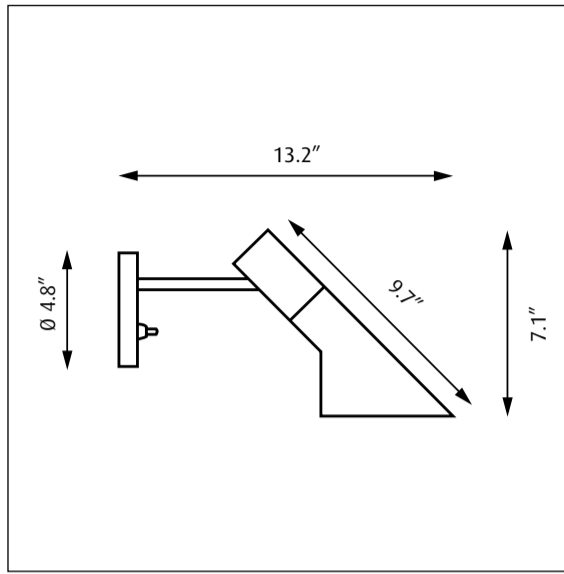



Design Arne Jacobsen



33094-11

Light source	Voltage	Weight	Electric shock protection	Ingress protection
<b>1/10W LED/G16.5/ candelabra</b> 	<b>120V/60 Hz</b>	<b>2.0 lbs</b>	<b>Cl. I, Grounded</b>	<b>IP 20</b>

**Recommended cleaning substances:**

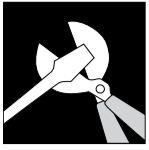
Wipe off dust with a dry, soft cloth. Remove greasy spots etc. with a soft cloth dampened in lukewarm water (<122° F/ 50° C) with a mild detergent. Never use detergents containing abrasives and solvents.

Warning: Scouring powder and similar substances will scratch surfaces.

All installation is subject to local code and jurisdiction. Consult a qualified electrician to ensure correct branch circuit conductor. The installer must ensure that the wall can support the luminaire's weight. The installer must if necessary reinforce the wall structure by adequate means.

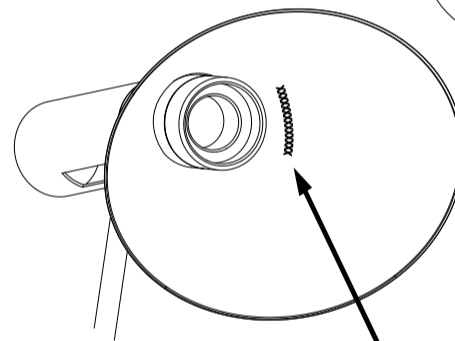
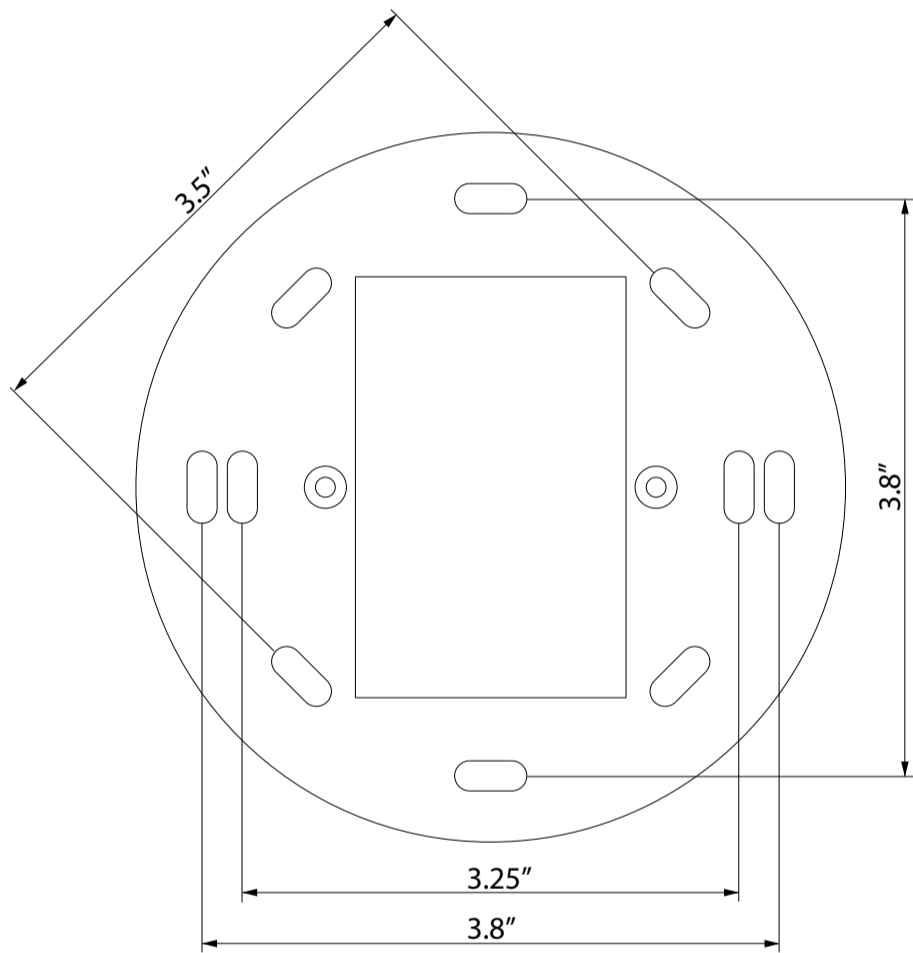
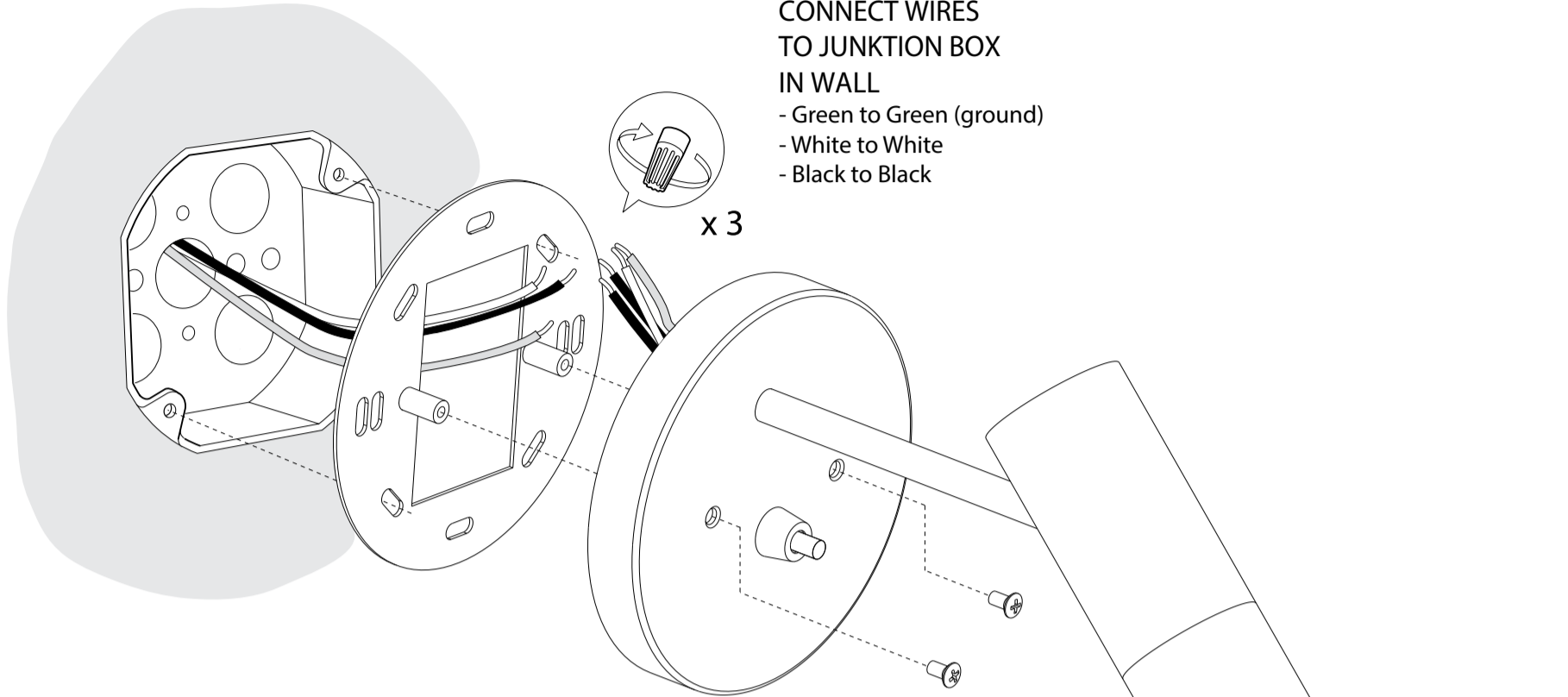


Louis Poulsen A/S disclaims any liability if a half mirror light bulb is used. This type of light source reflects the heat and may damage/melt parts of the fixture.




CONNECT WIRES  
TO JUNCTION BOX  
IN WALL

- Green to Green (ground)
- White to White
- Black to Black



! ID NUMBER: \_\_\_\_\_  
Please register ID number at [www.louispoulsen.com](http://www.louispoulsen.com)

 Use only light source in accordance to the lamp Replacement label on the luminaire

