

Swag Hook

700TDSWG_

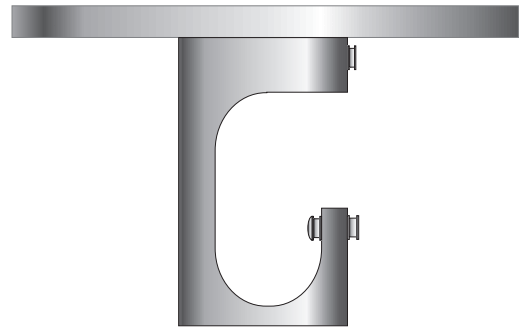
1.7



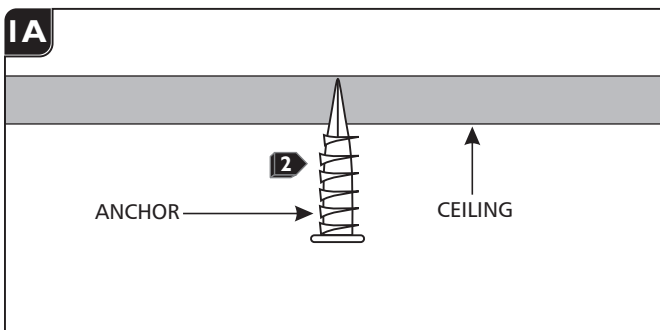
GENERAL PRODUCT INFORMATION:



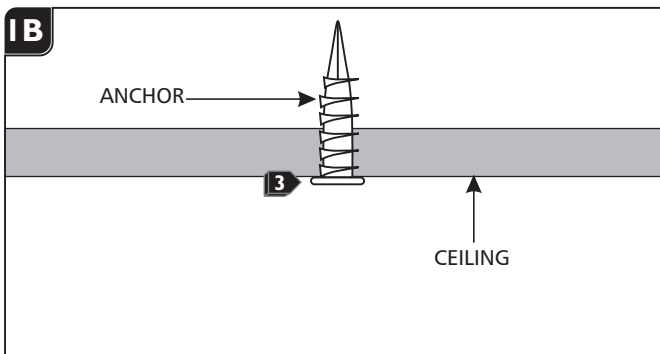
This product must be used with Pendant fixtures only.



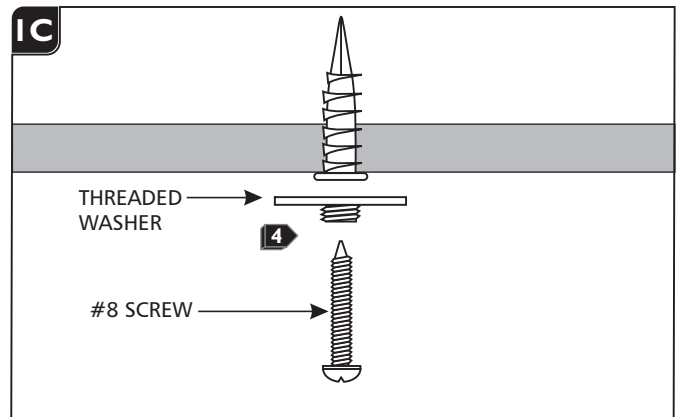
Mount the Swag Hook



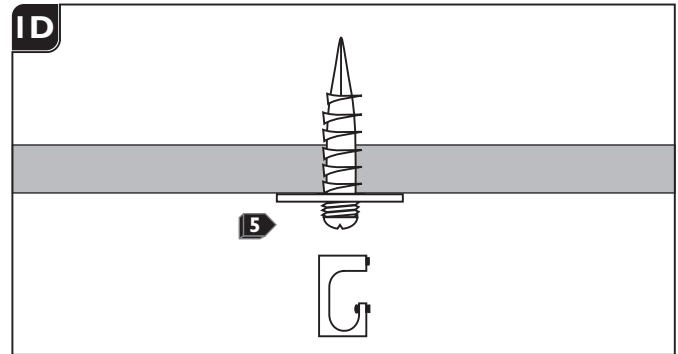
- 1** Mark a point on the ceiling near the pendant fixture where the swag hook is to be mounted.
- 2** Tap the anchor at the marked point into the ceiling up to the threaded portion with a hammer.



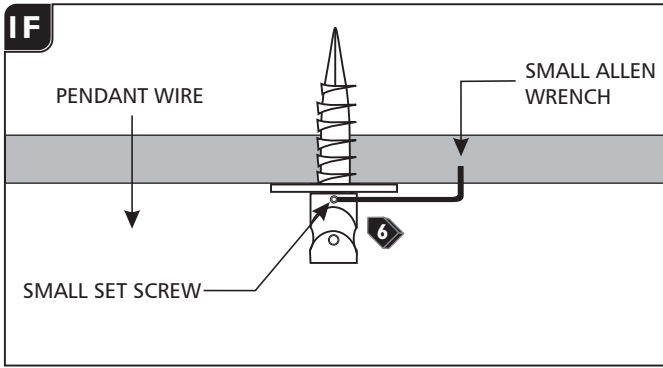
- 3** Screw the anchor in the rest of the way with a Phillips screwdriver.



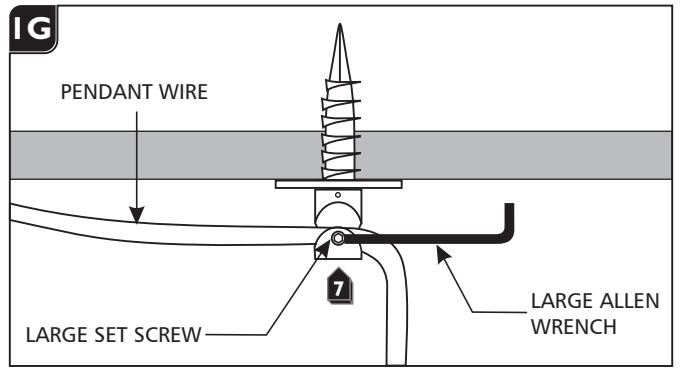
- 4** Mount the threaded washer to the anchor with the #8 screw.



- 5** Screw the swag hook onto the threaded washer.



6 Secure the swag hook to the threaded washer by tightening the small set screw.



7 Hook the fixture pendant wire into the swag hook and secure it in place by tightening the large set screw.

SAVE THESE INSTRUCTIONS!

 **TECH LIGHTING®**

7400 Linder Ave, Skokie, IL 60077

847.410.4400

www.techlighting.com

© 2020 Tech Lighting, L.L.C. All rights reserved.

Visual Comfort & Co.