

Line-Voltage Mini Canopy 7 and 11 Port

700TDMRD_ 1.3



GENERAL PRODUCT INFORMATION:

This canopy is intended to be installed utilizing NEC compliant junction boxes.

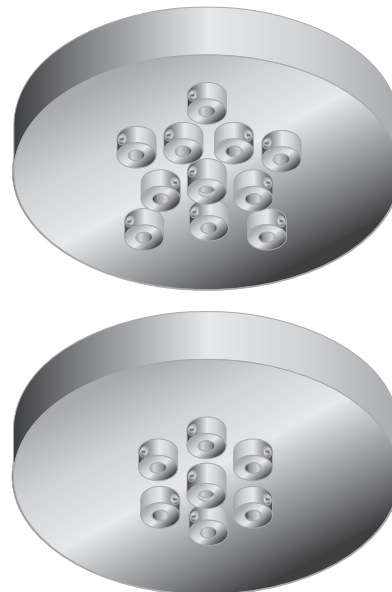


This product is suitable for damp locations.

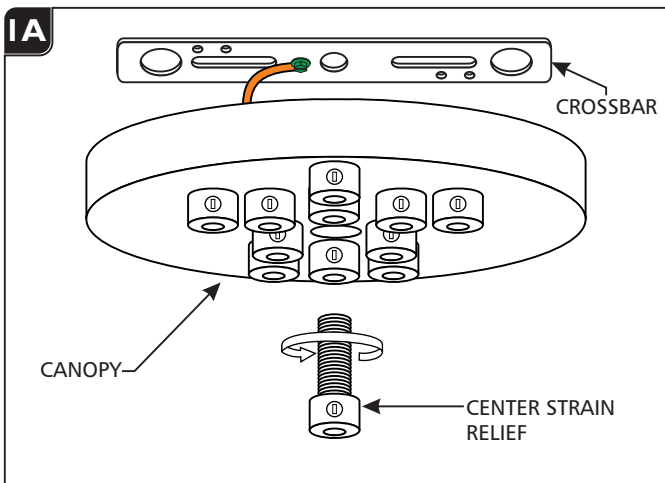
This instruction shows a typical installation.

DANGER
If the complete fixture exceeds 50 lbs., it must be supported independently of the outlet box unless the outlet box is listed for the weight to be supported.

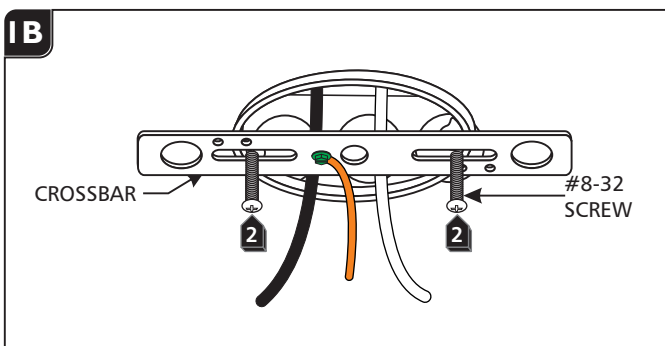
CAUTION - RISK OF FIRE
This product must be installed in accordance with the applicable installation code by a person familiar with the construction and operation of the product and the hazards involved.
Use minimum 90°C supply conductors.



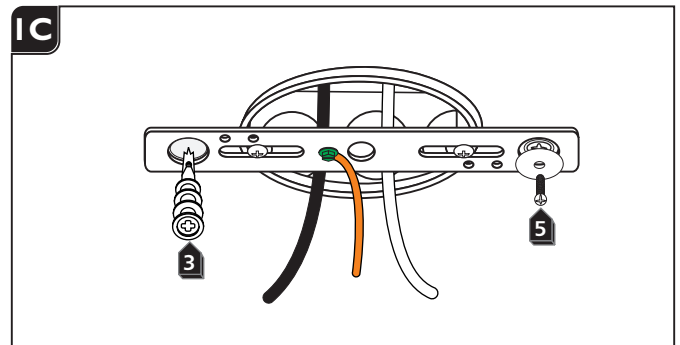
Preparing the Canopy



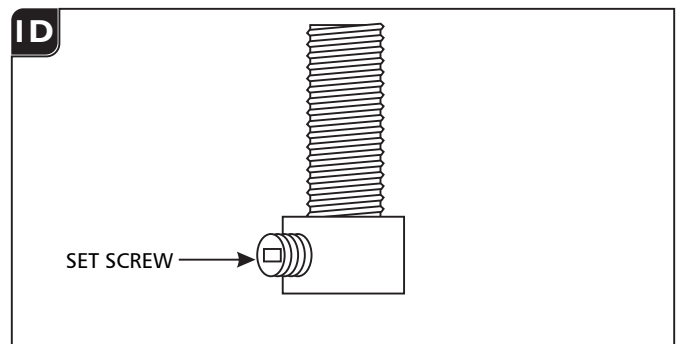
1 Remove the crossbar from the canopy by completely unscrewing the center strain relief.



2 Mount the crossbar assembly to the electrical box with the two provided #8-32 screws.

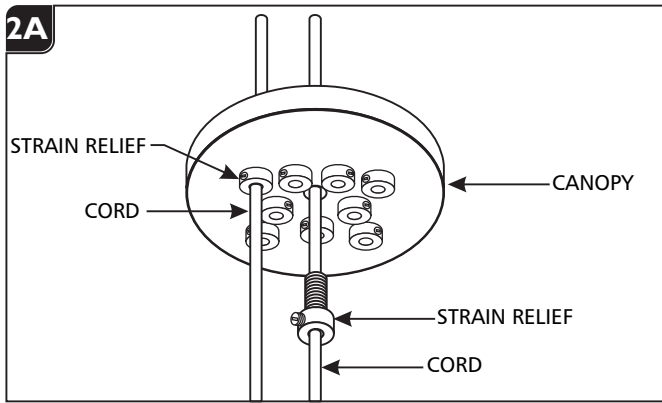


- 3** Line an anchor tip with the center of an anchor holes, and push the anchors into the wall up to the threads.
- 4** Screw the anchors in the rest of the way with a Phillips-head screwdriver.
- 5** Slide each #8 screw through a washer, and screw them into the anchors to secure the mounting plate.



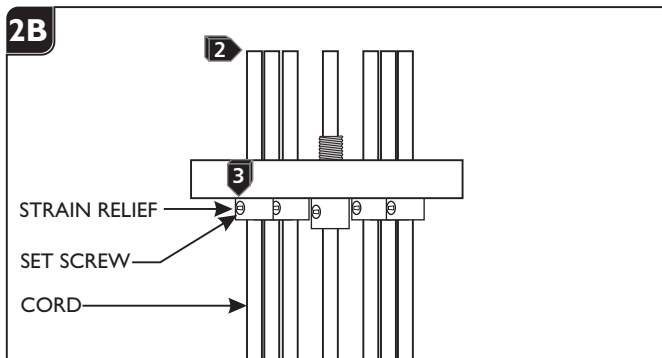
6 Loosen (**Do Not Remove**) the set screw on each strain relief.

Install the Fixture

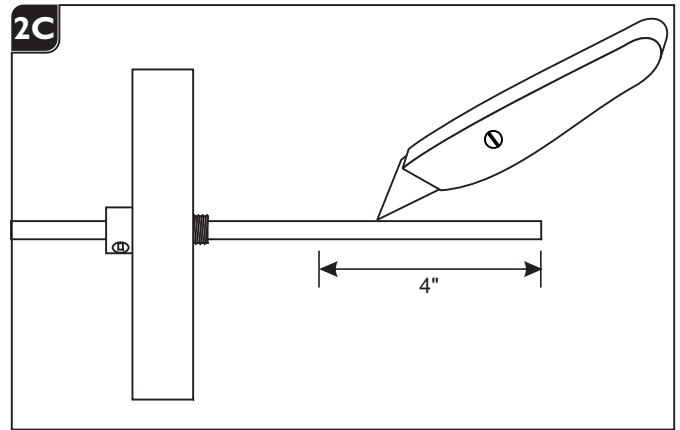


- 1 Feed a fixture cord through each the strain relief.

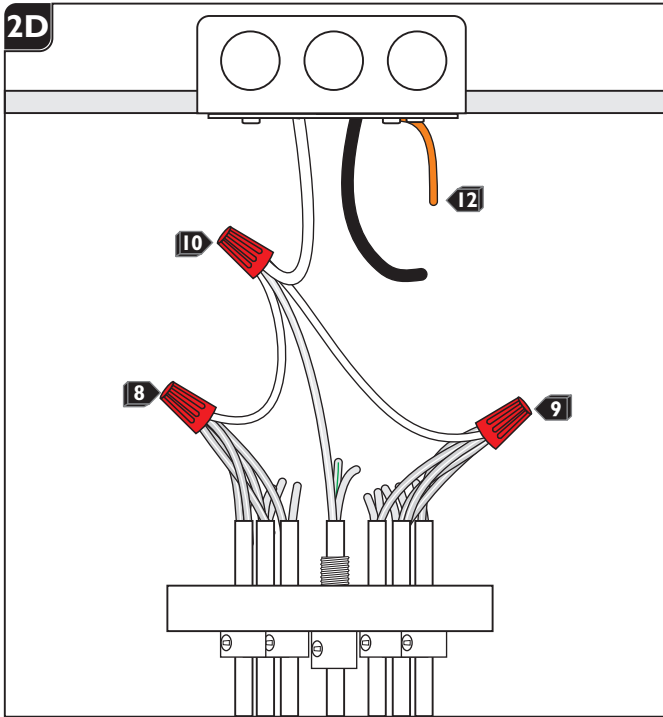
Note: Taping down the frayed end of the cloth may assist in feeding it through the strain relief.



- 2 Adjust each fixtures' height (from bottom of the fixture shade to top of the canopy) by pulling the fixture cords through the strain relief.
- 3 When the desired look is achieved, tighten the set screw on each strain relief.

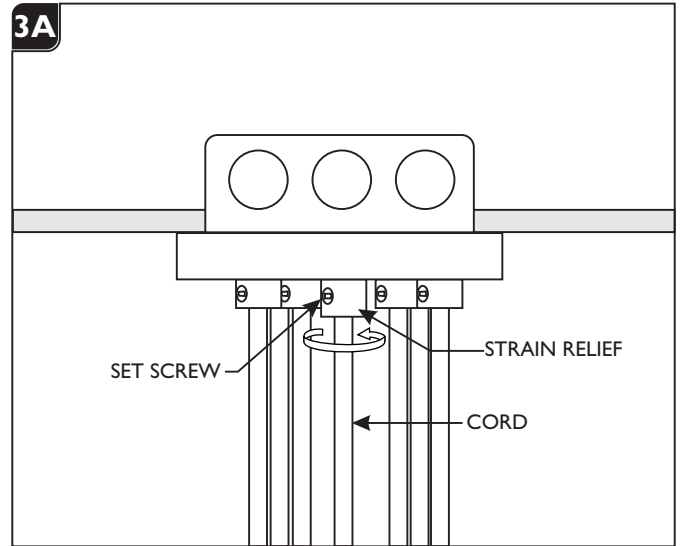


- 4 Leave 6" of the cord behind the canopy for power connections. Cut the excess cord.
- 5 From the end of the cord, strip the insulation 4" using a sharp knife. Make sure not to nick the inner wires.
- 6 Strip the end of the wires.
- 7 Repeat for all the cords.



- 8 Leave the center cord for now and connect half of the fixture wires with the white tracer as well as one of the provided white wire strips together with one of the provided wire nuts.
- 9 Repeat for the remaining half of the fixture wires with the white tracers except for the center cord.
- 10 Connect neutral power line, the center cord power wire with white tracer, and the two white strips from the previous connection with one of the provided wire nuts.
- 11 Repeat steps 8, 9, and 10 for the hot power cord wires and the neutral power cord wires with the green tracer.
- 12 Ground the fixture wires and the mounting plate ground wire with accordance to local electrical code.

Install the Canopy



NOTE: It is recommended that one person hold the fixture while the electrician finishes the installation.

- 1 Place all wires and wire nut connections properly inside the canopy.
- 2 While supporting the fixture, loosen the set screw on the center strain relief.
- 3 Align the canopy center hole with the crossbar center hole.
- 4 Slide the canopy up against the ceiling and secure it in place by tightening the center strain relief into the crossbar. **Do not turn the cord.**
- 5 Reposition the height of the center fixture if necessary and tighten the plastic set screw to secure the cord.

SAVE THESE INSTRUCTIONS!

 **TECH LIGHTING®**

7400 Linder Ave, Skokie, IL 60077

847.410.4400

www.techlighting.com

© 2020 Tech Lighting, L.L.C. All rights reserved.

Visual Comfort & Co.