

Line-Voltage Mini Canopy 3 Port

700TDMRD3_1.1

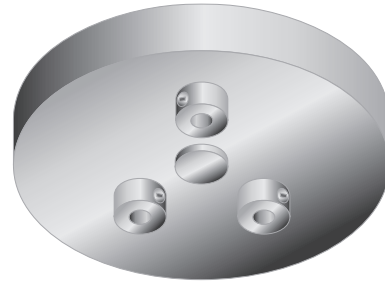


GENERAL PRODUCT INFORMATION:

This canopy is intended to be installed utilizing NEC compliant junction boxes.

This product is suitable for damp locations.

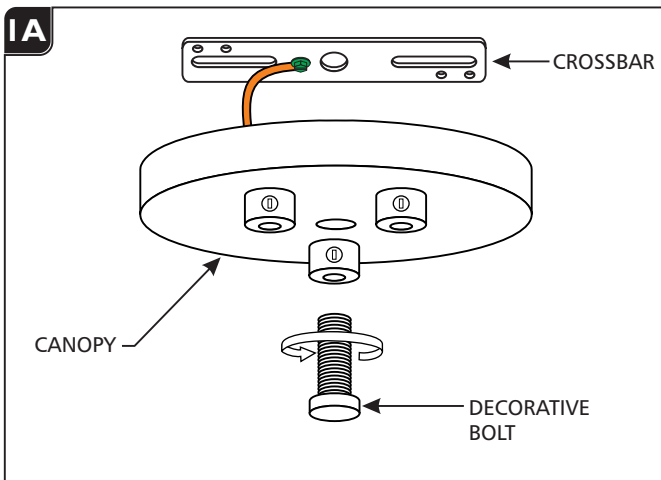
This instruction shows a typical installation.



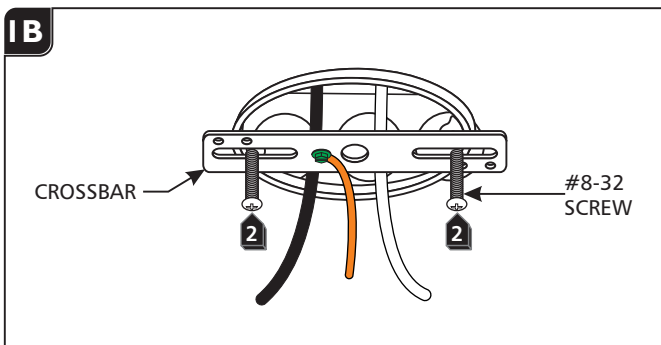
DANGER
If the complete fixture exceeds 50 lbs., it must be supported independently of the outlet box unless the outlet box is listed for the weight to be supported.

CAUTION - RISK OF FIRE
This product must be installed in accordance with the applicable installation code by a person familiar with the construction and operation of the product and the hazards involved.
Use minimum 90°c supply conductors.

Install the Crossbar

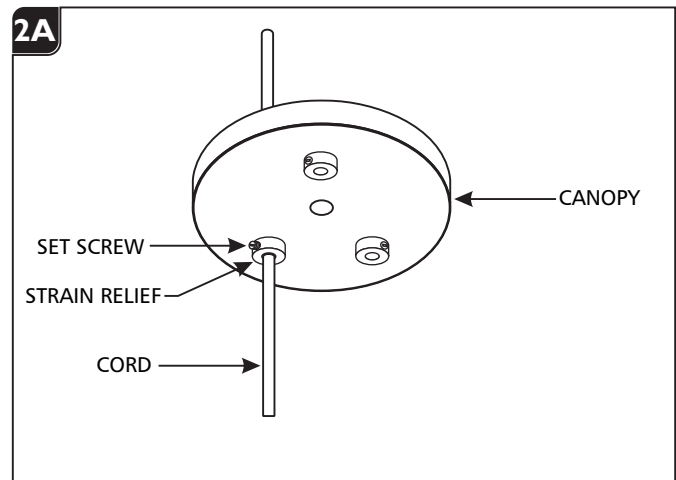


1 Remove the crossbar from the canopy by completely unscrewing the decorative bolt.



2 Mount the crossbar assembly to the electrical box with the two provided #8-32 screws.

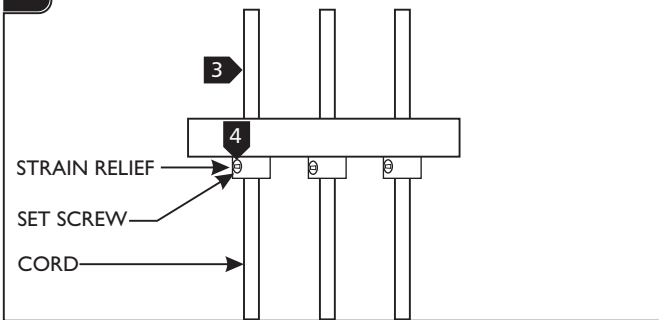
Install the Fixture



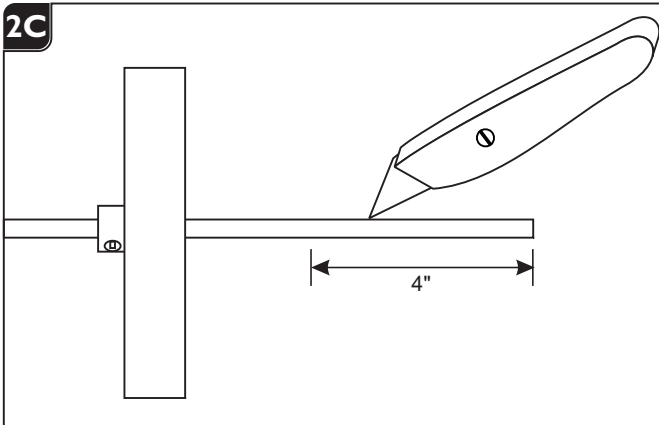
1 Loosen (**Do Not Remove**) the set screw on each strain relief.

2 Feed a fixture cord through each the strain relief.

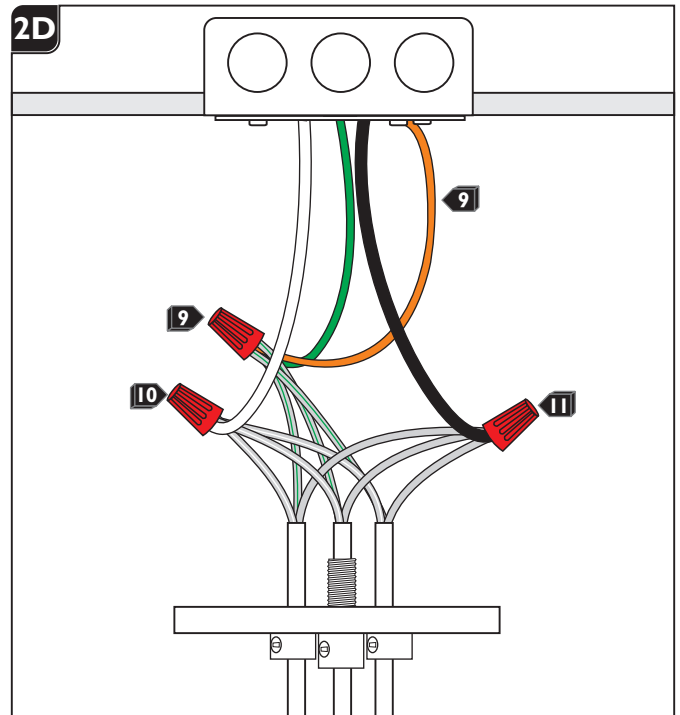
Note: Taping down the frayed end of the cloth may assist in feeding it through the strain relief.

2B

- 3 Adjust each fixture's height (from bottom of the fixture shade to top of the canopy) by pulling the fixture cords through the strain relief.
- 4 When the desired look is achieved, tighten the set screw on each strain relief.

2C

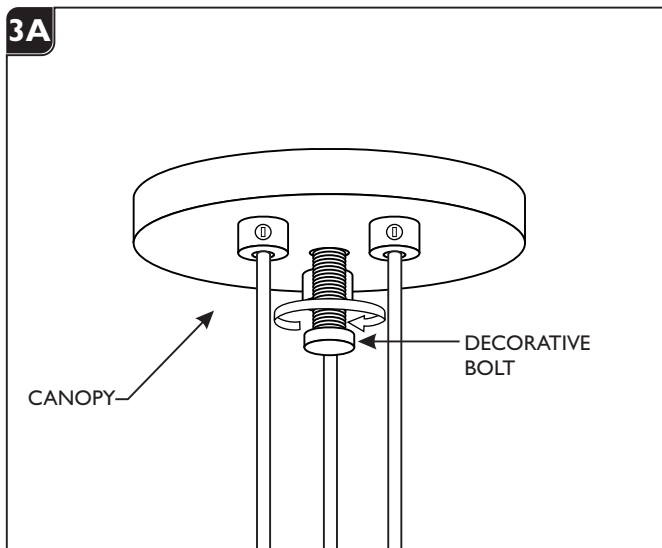
- 5 Leave 6" of the cord behind the canopy for power connections. Cut the excess cord.
- 6 From the end of the cord, strip the insulation 4" using a sharp knife. **Make sure not to nick the inner wires.**
- 7 Strip the end of the wires.
- 8 Repeat for all the cords.

2D

- 9 Ground the fixture wires with the green tracer and the mounting plate to a suitable ground in accordance with local electrical codes.
- 10 Connect the fixture wires with the white tracer to the neutral power line wire.
- 11 Connect the remaining fixture wires to the hot power line wire.

Install the Canopy

3A



- 1 Place all wires and wire nut connections properly inside the electrical box.
- 2 Align the canopy center hole with the crossbar center hole.
- 3 Slide the canopy up against the ceiling and secure it in place by tightening the decorative bolt.

SAVE THESE INSTRUCTIONS!

 **TECH LIGHTING®**

7400 Linder Ave, Skokie, IL 60077

847.410.4400

www.techlighting.com

© 2020 Tech Lighting, L.L.C. All rights reserved.

Visual Comfort & Co.