

# FLOS

F3693059 Polished Brass

## Last Order Clear

Designed by Michael Anastassiades, 2020

2.5W - 90lm - 2700K - CRI> 90



Flos Last Order table lamp was designed by M. Anastassiades. It is a rechargeable table lamp that diffuses light through a transparent solid crystal base whose shape makes reference to architectural typology of the ancient column. The top cover comes in a combination of different metal and colour finishes: stainless steel, brass, satin copper or green opal coating .

Are you a professional and your project needs consulting and support?

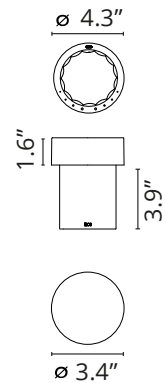
BOOK AN APPOINTMENT

### Main specifications

EAN	8059607030486
Mounting	Table
Environments	Indoor dry location
Light Source Type	LED
LED type	LED Module
Power (W)	2.5
System flux (lm)	90

### Physical

Color	Polished Brass
Net weight (lb)	4.71
Package volume (in)	540.67
IP internal	55



### Download

Mounting instructions [↓ PDF](#)

Spare Parts [↓ PDF](#)

### Photometric Files

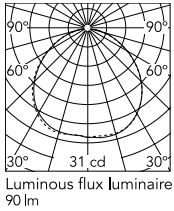
LDT / IES [↓ LDT](#)

### Technical Drawings

3D [↓ ZIP](#)



## Schematic light drawing



## Photometric

Lighting type	Direct
Light distribution	Roto symmetric
CCT (K)	2700
CRI>	90

## Electrical

Insulation class	III
Frequency (Hz)	50/60
Main voltage (Vac)	100-240/5
Driver	Remote included
Dimmable	Yes
Dimming type	Electronic 5V
Dimming interface	Dimmer Integrated
Plug type	Type G, Type A, Type C
Batteries inside	Yes
Battery type	LI-PO
Charging socket/connector	USB-C

## Ecodesign and Energy Labelling

This product contains a light source of energy efficiency class F

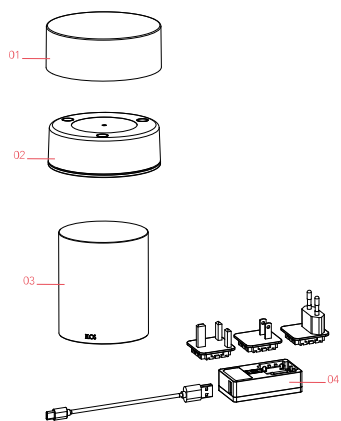


Replaceable (LED only)  
light source by a  
professional



Replaceable control  
gear by an end-user

## Spare Parts



- |     |   |           |
|-----|---|-----------|
| 03. | Crystal clear base                          | RF29124   |
| 04. | Power charger with electrical cable & plugs | RF1035109 |

**DOWNLOAD**



RF29124

Crystal clear base



RF1035109

Power charger with electrical  
cable & plugs