

LED Picture Light

PL18217
INSTALLATION SHEET

START FROM HERE

- Make sure **POWER** is **COMPLETELY OFF** at the fuse box
- Have your fixture installed by a qualified licensed electrician
- Prepare everything in a clear area
- Wear gloves at all time during this installation
- Read instructions carefully before you start assembly
- Keep this installation sheet for future reference

Technical Support: 1-855-855-8926

Please Note:

- This Kuzco LED fixture comes with pre-wired LED module(s)
- Unless instructed, Do Not touch any part of the LED module(s) as any unnecessary contact with the module could cause permanent damage
- Use ELV (Electronic Low Voltage) or TRIAC type of dimmer for dimming application
- 120V input
- Retain install sheet and suction cup (3b) after installation for servicing

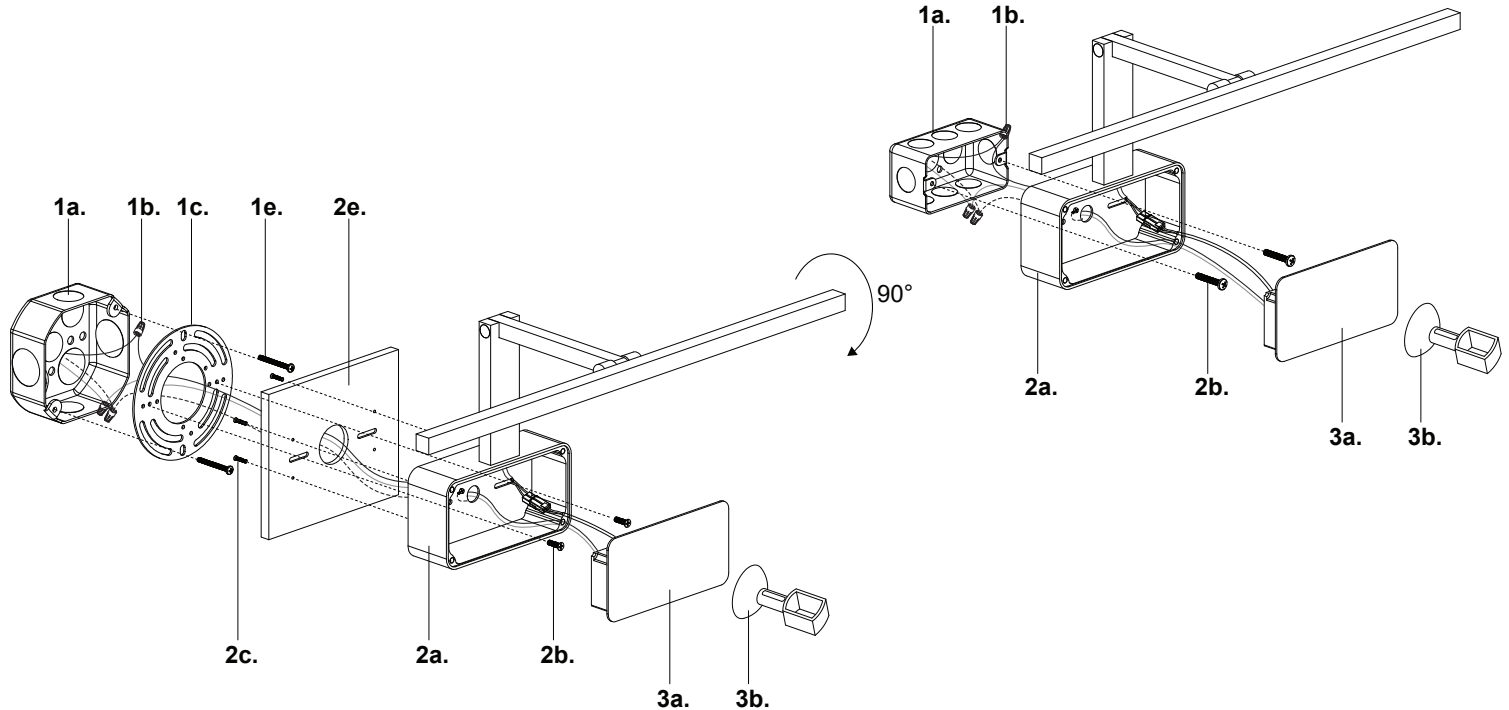
Octagon Junction Box Install

1. Remove the fixture from its original packaging. Use suction cup (3b) to remove front face plate (3a) to access the inside of canopy (2a). Attach the cover plate (2e) to the canopy (2a) with cover plate screws (2c)
2. Secure the universal mounting plate (1c) to the electrical junction box (1a) with junction box screws (1e) provided in the hardware package
3. Make proper electrical connections (**black to hot "L"**, **white to neutral "N"**, **ground to "GND"**) with wire nuts (1b) provided in hardware package
4. Install the cover plate (2e) and canopy (2a) assembly to the universal mounting plate (1c) with screws (2b)
5. Attach front face plate (3a) to magnets on canopy (2a) to close

Single Gang Box Install

1. Remove the fixture from its original packaging. Use suction cup (3b) to remove front face plate (3a) to access the inside of canopy (2a)
2. Make proper electrical connections (**black to hot "L"**, **white to neutral "N"**, **ground to "GND"**) with wire nuts (1b) provided in hardware package
3. Attach canopy (2a) to the electrical junction box (1a) with screws (2b)
4. Attach front face plate (3a) to magnets on canopy (2a) to close

Note: Universal mounting plate (1c) is not needed for single gang box installation



KUZCO

19054 28th Avenue Surrey, BC Canada V3Z 6M3
T: 604 538 7162 TF: 1-855 85 KUZCO F: 604 538 7196
W: kuzcolighting.com
20210531