

LED Table Lamp

TL25517
INSTALLATION SHEET

START FROM HERE

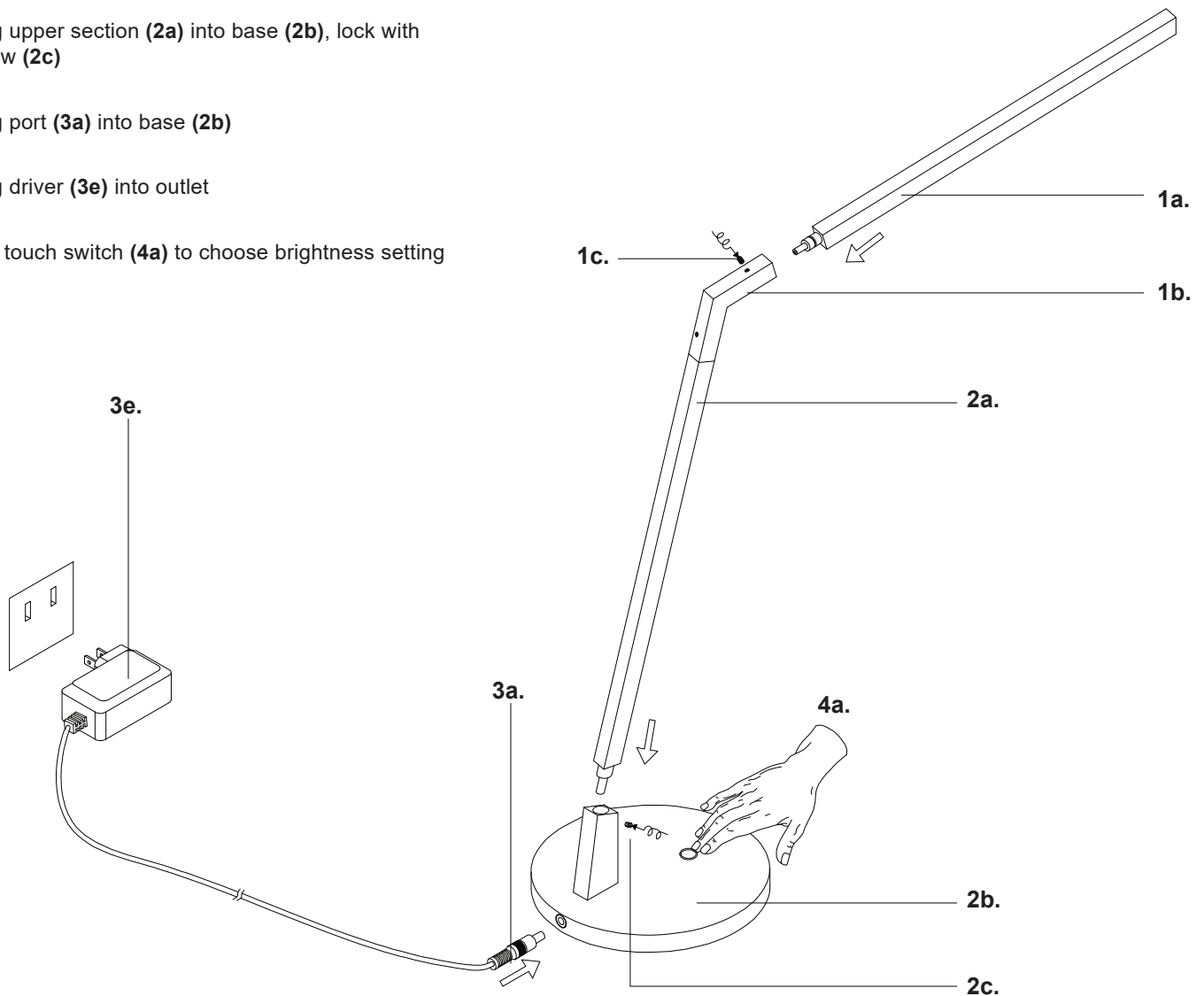
- Prepare everything in a clear area
- Wear gloves at all time during this installation
- Read instructions carefully before you start assembly
- Keep this installation sheet for future reference

Please Note:

- This Kuzco LED fixtures come with pre-wired LED module(s)
- Unless instructed, Do Not touch any part of the LED module(s) as any unnecessary contact with the module could cause permanent damage
- Touch Dimmer

Technical Support: 1-855-855-8926

- 1.** Remove fixture from its original package
- 2.** Plug lamp head (1a) into socket (1b), lock with screw (1c)
- 3.** Plug upper section (2a) into base (2b), lock with screw (2c)
- 4.** Plug port (3a) into base (2b)
- 5.** Plug driver (3e) into outlet
- 6.** Use touch switch (4a) to choose brightness setting



KUZCO

19054 28th Avenue Surrey, BC Canada V3Z 6M3
T: 604 538 7162 TF: 1-855 85 KUZCO F: 604 538 7196
W: kuzcolighting.com
20190618