

# LUND EW3212

WALL

PROJECT



EW3212-GY  
Gray



EW3212-BK  
Black

## SPECIFICATION DETAILS

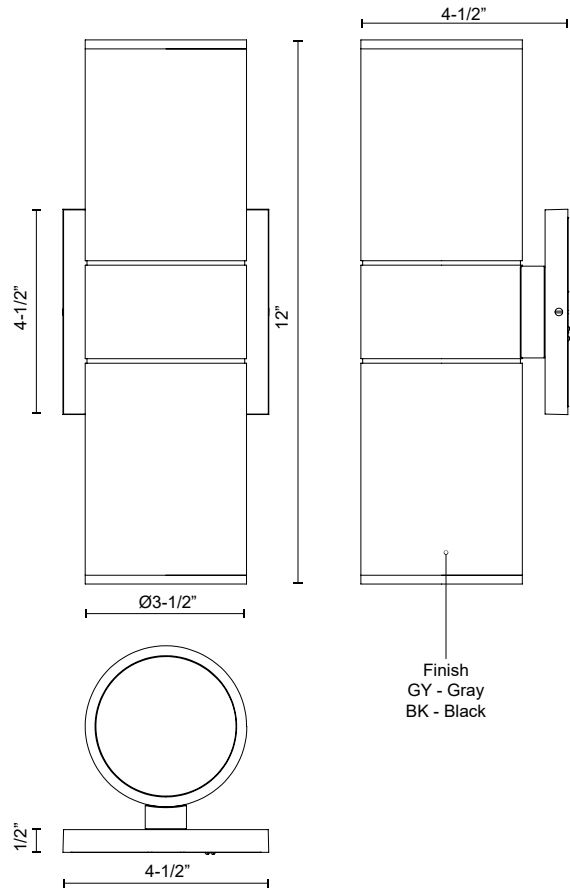
<b>Fixture Dimensions</b>	D3-1/2" x H12" x E4-1/2"
<b>Light Source</b>	AC LED Module
<b>Wattage</b>	31W
<b>Total Lumens</b>	2200lm
<b>Delivered Lumens</b>	BK-1829lm; GY-1853lm;
<b>Voltage</b>	120V
<b>Color Temperature</b>	3000K
<b>CRI (Ra)</b>	90CRI
<b>Optional Color Temps</b>	2700K - 5000K Available, Minimum Order Quantities Apply
<b>LED Rated Life</b>	50,000 hours
<b>Dimming</b>	100% - 10%, ELV Dimmer (Not Included)
<b>Diffuser Details</b>	Parabolic Aluminum Reflector
<b>Glass Details</b>	Clear Glass
<b>Location</b>	Wet
<b>Illumination Direction</b>	Up and Down
<b>Canopy Dimensions</b>	W4-1/2" x H4-1/2" x E1/2"
<b>Paint Finish</b>	BK02; GY01;

\* For custom options, consult factory for details.

\* For warranty information, please visit [www.kuzcolighting.com/warranty](http://www.kuzcolighting.com/warranty)

## DESCRIPTION

High powered LED exterior two light wall mount fixture, die-cast aluminum housing molded into a cylinder shape in powder coated gray or black finish. Concealed inside is our 120V AC LED technology with a tempered glass diffusers radiating light upward and downward against the wall where installed. Certified ETL wet location listed and is available in different sizes and one light options (see Nordic family for details).



# KUZCO

CANADA: 19054 28TH AVENUE - SURREY, BC V3Z 6M3

USA: 3035 E. LONE MOUNTAIN ROAD - LAS VEGAS, NV 89081

[WWW.KUZCOLIGHTING.COM](http://WWW.KUZCOLIGHTING.COM)

© 2021 KUZCO LIGHTING. ALL RIGHTS RESERVED.

## COMMENT

