

# TRINITY PD62012

## PENDANTS

PROJECT



PD62012-BK/SM  
Black/Smoked



PD62012-BK/CP  
Black/Copper



PD62012-BK/CH  
Black/Chrome

### SPECIFICATION DETAILS

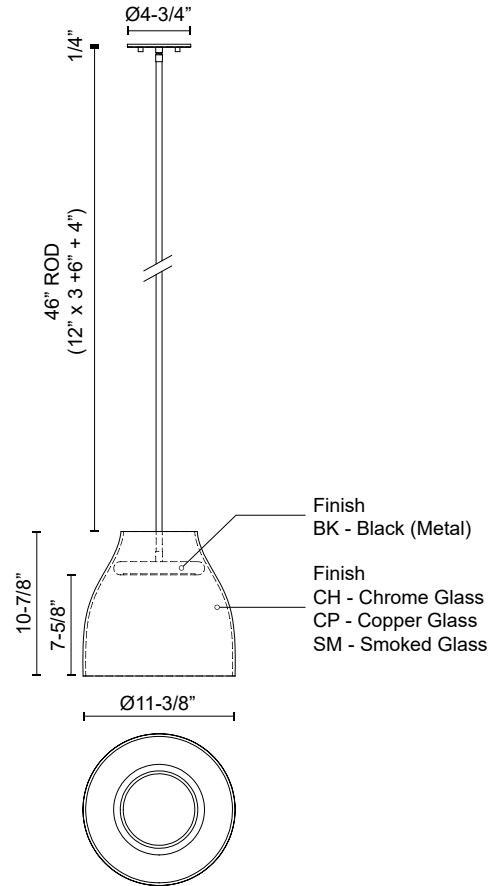
<b>Fixture Dimensions</b>	D11-3/8" x H10-7/8"
<b>Light Source</b>	AC LED Module
<b>Wattage</b>	21W
<b>Total Lumens</b>	1700lm
<b>Delivered Lumens</b>	1000lm*
<b>Voltage</b>	120V
<b>Color Temperature</b>	3000K
<b>CRI (Ra)</b>	90CRI
<b>Optional Color Temps</b>	2700K - 5000K Available, Minimum Order Quantities Apply
<b>LED Rated Life</b>	50,000 hours
<b>Dimming</b>	100% - 10%, ELV Dimmer (Not Included)
<b>Diffuser Details</b>	Frosted acrylic diffuser
<b>Shade Details</b>	Smoked or Metallic Finish Glass Shade
<b>Adjustable</b>	Yes
<b>Rod Length</b>	46" Max (3x12" + 1x6" + 1x4")
<b>Wire Length</b>	60"
<b>Minimum Hang Height</b>	15"
<b>Location</b>	Dry
<b>Canopy Dimensions</b>	D4-3/4" x H1/4"

\* For custom options, consult factory for details.

\* For warranty information, please visit [www.kuzcolighting.com/warranty](http://www.kuzcolighting.com/warranty)

### DESCRIPTION

Available in multiple glass shade style and finishes, the Trinity collection has endless style options when paired with Clear, Copper, Chrome, or Smoke Glass finishes. It is the perfect mix of stylish and classic for any space.



# KUZCO

CANADA: 19054 28TH AVENUE - SURREY, BC V3Z 6M3

USA: 3035 E. LONE MOUNTAIN ROAD - LAS VEGAS, NV 89081

[WWW.KUZCOLIGHTING.COM](http://WWW.KUZCOLIGHTING.COM)

© 2021 KUZCO LIGHTING. ALL RIGHTS RESERVED.

### COMMENT

