

Square LED Wall Sconce

601485-LED

INSTALLATION SHEET

START FROM HERE

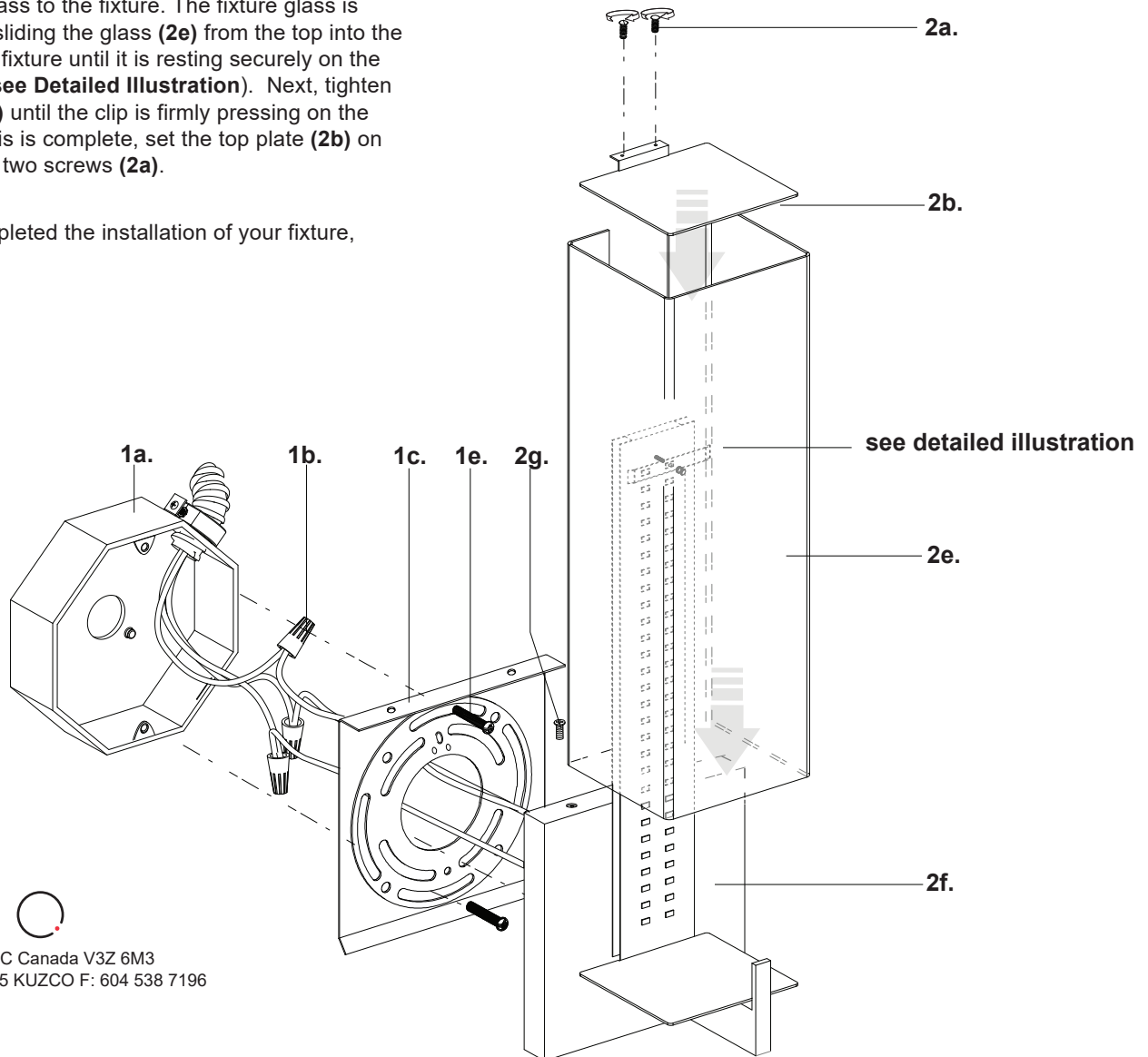
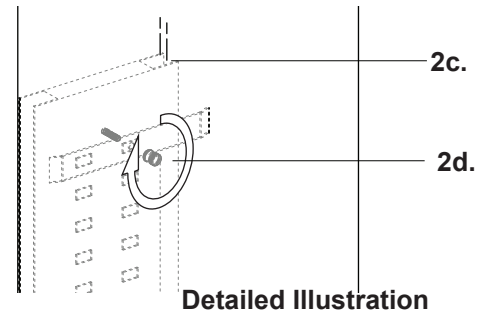
- Make sure **POWER** is **COMPLETELY OFF** at the fuse box
- Have your fixture installed by a qualified licensed electrician
- Prepare everything in a clear area
- Wear gloves at all time during this installation
- Read instructions carefully before you start assembly
- Keep this installation sheet for future reference

Please Note:

- This Kuzco LED fixture comes with pre-wired LED module(s)
- Unless instructed, Do Not touch any part of the LED module(s) as any unnecessary contact with the module could cause permanent damage
- Use ELV (Electronic Low Voltage) type of dimmer for dimming application
- 120V input

Technical Support: 1-855-855-8926

- 1.** Remove the fixture from its original packaging. Separate mounting plate (**1c**) from canopy (**2f**) by removing canopy screws (**2g**). Attach mounting plate (**1c**) to electrical junction box (**1a**) using junction box screws (**1e**) provided in hardware package
- 2.** Make proper electrical connections (**black to hot "L"**, **white to neutral "N"**, **ground to "GND"**) with wire nuts (**1b**) provided in hardware package. Attach canopy (**2f**) to mounting plate (**1c**) with canopy screws (**2g**).
- 3.** Install the fixture glass to the fixture. The fixture glass is installed by gently sliding the glass (**2e**) from the top into the channel (**2c**) of the fixture until it is resting securely on the bottom metal bar (**see Detailed Illustration**). Next, tighten the knurled nut (**2d**) until the clip is firmly pressing on the glass (**2e**). Once this is complete, set the top plate (**2b**) on top and fasten with two screws (**2a**).
- 4.** You have now completed the installation of your fixture, please enjoy.



KUZCO

19054 28th Avenue Surrey, BC Canada V3Z 6M3
T: 604 538 7162 TF: 1-855 85 KUZCO F: 604 538 7196
W: kuzcolighting.com
20230626