

# NORFOLK 601431-LED

WALL

PROJECT



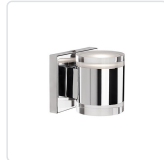
601431BK-LED  
Black



601431BN-LED  
Brushed Nickel



601431BG-LED  
Brushed Gold



601431CH-LED  
Chrome

## SPECIFICATION DETAILS

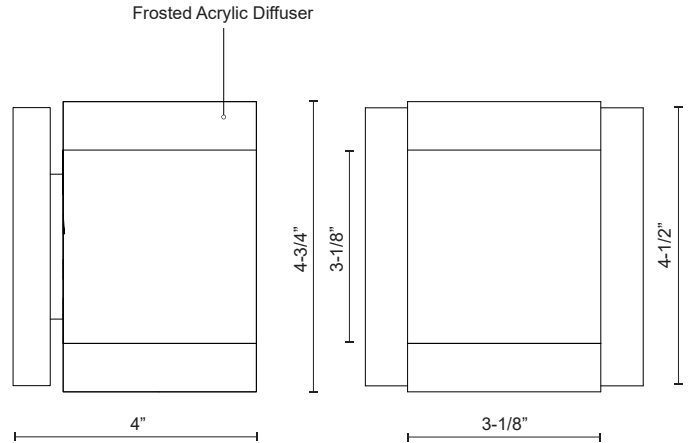
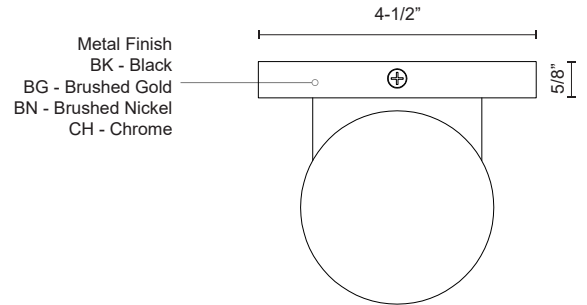
<b>Fixture Dimensions</b>	W3-1/8" x H4-3/4" x E4"
<b>Light Source</b>	AC LED Module
<b>Wattage</b>	17W
<b>Total Lumens</b>	1200lm
<b>Delivered Lumens</b>	BK-705lm; BN-767lm; CH-868lm;
<b>Voltage</b>	120V
<b>Color Temperature</b>	3000K
<b>CRI (Ra)</b>	90CRI
<b>Optional Color Temps</b>	2700K - 5000K Available, Minimum Order Quantities Apply
<b>LED Rated Life</b>	50,000 hours
<b>Dimming</b>	100% - 10%, ELV Dimmer (Not Included)
<b>Diffuser Details</b>	Frosted acrylic diffuser
<b>Location</b>	Dry
<b>Illumination Direction</b>	Up and Down
<b>Mounting Style</b>	All Orientation; Wall;
<b>Canopy Dimensions</b>	W4-1/2" x H4-1/2" x E5/8"
<b>CEC Title 24 JA8</b>	Yes, JA8-2022
<b>Paint Finish</b>	BG01; BK01; BN01; CH01;

\* For custom options, consult factory for details.

\* For warranty information, please visit [www.kuzcolighting.com/warranty](http://www.kuzcolighting.com/warranty)

## DESCRIPTION

LED cylinder shaped updown wall sconce with clear acrylic discs. Metal details in black, brushed gold, brushed nickel or chrome finish, and is equipped with our powerful 120V AC LED technology,



# KUZCO

CANADA: 19054 28TH AVENUE - SURREY, BC V3Z 6M3  
USA: 3035 E. LONE MOUNTAIN ROAD - LAS VEGAS, NV 89081

[WWW.KUZCOLIGHTING.COM](http://WWW.KUZCOLIGHTING.COM)

© 2010 KUZCO LIGHTING. ALL RIGHTS RESERVED.

## COMMENT

