

NEPAL WS84218

WALL

PROJECT



SPECIFICATION DETAILS

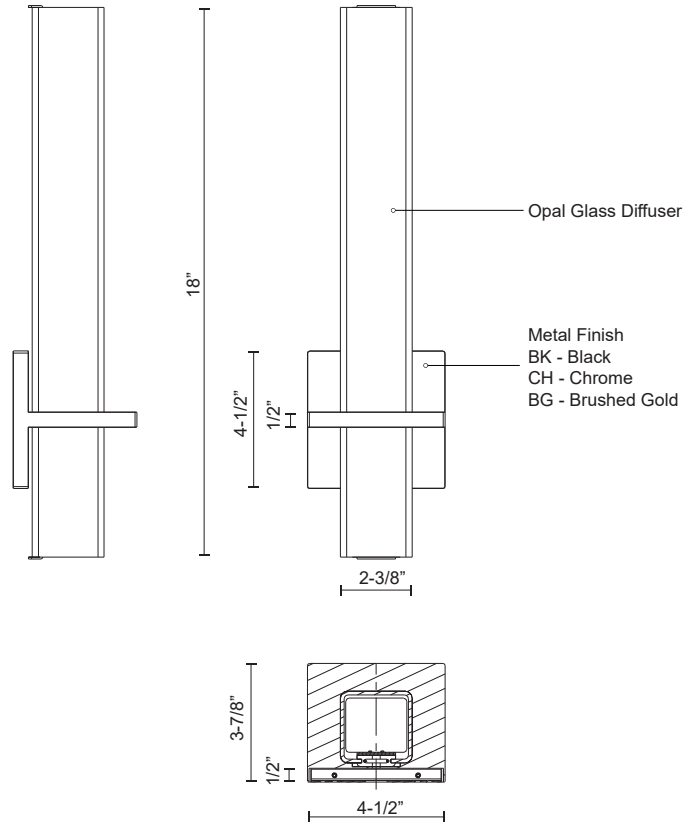
Fixture Dimensions	W2-3/8" x H18" x E3-7/8"
Light Source	AC LED Module
Wattage	18W
Total Lumens	1200lm
Delivered Lumens	CH-885lm
Voltage	120V
Color Temperature	3000K
CRI (Ra)	90CRI
Optional Color Temps	2700K - 5000K Available, Minimum Order Quantities Apply
LED Rated Life	50,000 hours
Dimming	100% - 10%, ELV Dimmer (Not Included)
Glass Details	Opal Glass
Location	Dry
Mounting Style	All Orientation; Wall;
ADA Compliant	Yes
CEC Title 24 JA8	Yes, JA8-2022
Canopy Dimensions	W4-1/2"x H4-1/2"x E1/2"
Paint Finish	BG01; BK01; CH01;

* For custom options, consult factory for details.

* For warranty information, please visit www.kuzcolighting.com/warranty

DESCRIPTION

Round or square plated or painted steel frame and wall plate. Rectilinear opal glass diffuser. Outward emitting wall light. Custom options available.



KUZCO

CANADA: 19054 28TH AVENUE - SURREY, BC V3Z 6M3

USA: 3035 E. LONE MOUNTAIN ROAD - LAS VEGAS, NV 89081

WWW.KUZCOLIGHTING.COM

© 2019 KUZCO LIGHTING. ALL RIGHTS RESERVED.

COMMENT

