

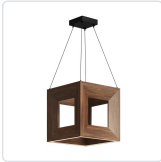
# MORINA PD32912

## PENDANTS

PROJECT



PD32912-WK  
White Oak



PD32912-WT  
Walnut

### SPECIFICATION DETAILS

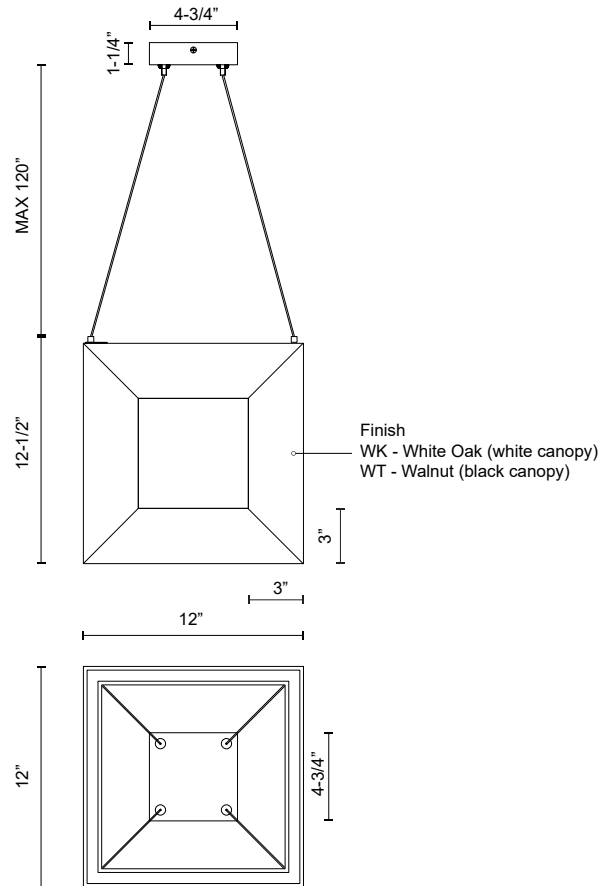
<b>Fixture Dimensions</b>	L12" x W12" x H12-1/2"
<b>Light Source</b>	LED with DC Driver
<b>Wattage</b>	20W
<b>Total Lumens</b>	1600lm
<b>Delivered Lumens</b>	700lm*
<b>Voltage</b>	120V
<b>Color Temperature</b>	3000K
<b>CRI (Ra)</b>	90CRI
<b>Optional Color Temps</b>	2700K - 5000K Available, Minimum Order Quantities Apply
<b>LED Rated Life</b>	50,000 hours
<b>Dimming</b>	100% - 10%, TRIAC or ELV Dimmer (Not Included)
<b>Diffuser Details</b>	White Silicone
<b>Adjustable</b>	Yes
<b>Wire Length</b>	120" Max
<b>Wire Type</b>	WK - White; WT - Black
<b>Minimum Hang Height</b>	24"
<b>Sloped Ceiling Adaptable</b>	Yes
<b>Location</b>	Dry
<b>Illumination Direction</b>	Up/Down
<b>CEC Title 24 JA8</b>	Yes, JA8-2022
<b>Canopy Dimensions</b>	L4-3/4" x W4-3/4" x H1-1/4"
<b>Paint Finish</b>	WK01; WT01;

\* For custom options, consult factory for details.

\* For warranty information, please visit [www.kuzcolighting.com/warranty](http://www.kuzcolighting.com/warranty)

### DESCRIPTION

The Morina Collection is a fantastic way to bring natural tones and geometric designs inside the home. Stunning wood veneer provides a home for the frosted silicone diffuser and delivers ample up-and-down lighting that's great for any space in the home. The modern cubist shapes and white oak or walnut color options blend well with modern décor or rustic-style interiors.



# KUZCO

CANADA: 19054 28TH AVENUE - SURREY, BC V3Z 6M3

USA: 3035 E. LONE MOUNTAIN ROAD - LAS VEGAS, NV 89081

[WWW.KUZCOLIGHTING.COM](http://WWW.KUZCOLIGHTING.COM)

© 2023 KUZCO LIGHTING. ALL RIGHTS RESERVED.

### COMMENT